

Thank you for purchasing a Sealey product. Manufactured to a high standard this product will, if used according to these instructions and properly maintained, give you years of trouble free performance.



IMPORTANT: PLEASE READ THESE INSTRUCTIONS CAREFULLY. NOTE THE SAFE OPERATIONAL REQUIREMENTS, WARNINGS AND CAUTIONS. USE THIS PRODUCT CORRECTLY AND WITH CARE FOR THE PURPOSE FOR WHICH IT IS INTENDED. FAILURE TO DO SO MAY CAUSE DAMAGE AND/OR PERSONAL INJURY AND WILL INVALIDATE THE WARRANTY. PLEASE KEEP INSTRUCTIONS SAFE FOR FUTURE USE.

1. SAFETY INSTRUCTIONS

1.1. ELECTRICAL SAFETY. **WARNING!** It is the user's responsibility to read, understand and comply with the following:

You must check all electrical equipment and appliances to ensure they are safe before using. You must inspect power supply leads, plugs and all electrical connections for wear and damage. You must ensure the risk of electric shock is minimised by the installation of appropriate safety devices. An RCCB (Residual Current Circuit Breaker) should be incorporated in the main distribution board. We also recommend that an RCD (Residual Current Device) is used with all electrical products. It is particularly important to use an RCD with portable products that are plugged into an electrical supply not protected by an RCCB. If in doubt consult a qualified electrician. You may obtain a Residual Current Device by contacting your Sealey dealer. **You must** also read and understand the following instructions concerning electrical safety.

1.1.1. The **Electricity At Work Act 1989** requires all portable electrical appliances, if used on business premises, to be tested by a qualified electrician, using a Portable Appliance Tester (PAT), at least once a year.

1.1.2. The **Health & Safety at Work Act 1974** makes owners of electrical appliances responsible for the safe condition of the appliance and the safety of the appliance operator. **If in doubt about electrical safety, contact a qualified electrician.**

1.1.3. Ensure the insulation on all cables and the product itself is safe before connecting to the mains power supply. See 1.1.1. & 1.1.2. above and use a Portable Appliance Tester (PAT).

1.1.4. Ensure that cables are always protected against short circuit and overload.

1.1.5. Regularly inspect power supply, leads, plugs for wear and damage and power connections to ensure that none is loose.

1.1.6. **Important:** Ensure the voltage marked on the product is the same as the electrical power supply to be used, and check that plugs are fitted with the correct capacity fuse. A 13 amp plug may require a fuse smaller than 13 amps for certain products, see fuse rating at right.

1.1.7. **DO NOT** pull or carry the powered appliance by its power supply lead.

1.1.8. **DO NOT** pull power plugs from sockets by the power cable.

1.1.9. **DO NOT** use worn or damage leads, plugs or connections. Immediately replace or have repaired by a qualified electrician. A U.K. 3 pin plug with AST/ABS approval is fitted. In case of damage, cut off and fit a new plug according to the following instructions (discard old plug safely).


(UK only - see diagram at right). **Ensure the unit is correctly earthed via a three-pin plug.**

a) **Connect the GREEN/YELLOW earth wire to the earth terminal 'E'.**

b) **Connect the BROWN live wire to live terminal 'L'.**

c) **Connect the BLUE neutral wire to the neutral terminal 'N'.**

d) **After wiring, check that there are no bare wires, that all wires have been correctly connected, that the cable outer insulation extends beyond the cable restraint and that the restraint is tight.**

Double insulated products are fitted with live (BROWN) and neutral (BLUE) wires only. Double insulated products are always marked with this symbol . **To re-wire, connect the brown & blue wires as indicated above. DO NOT connect the brown or blue to the earth terminal.**

1.1.10. **Cable extension reels.** When a cable extension reel is used it should be fully unwound before connection. A cable reel with an RCD fitted is recommended since any product which is plugged into the cable reel will be protected. The section of the cores of the cable is important and should be at least 1.5mm², but to be absolutely sure that the capacity of the cable reel is suitable for this product and for others that may be used in the other output sockets, we recommend the use of 2.5mm² section cable.

1.2. **LEAD PAINT WARNING!** Paint once contained lead as a traditional ingredient. Paint particles, resulting from the removal of such paint, are toxic and ingestion/inhalation must, therefore, be avoided. The following action must be taken before using this tool:

1.2.1. User must determine potential hazard relating to age of paint to be removed (modern paints do not have lead content).

1.2.2. **DANGER!** Keep all persons and pets away from the work area. The following are particularly vulnerable to the effects of lead paint dust: **Expectant women, babies and children.**

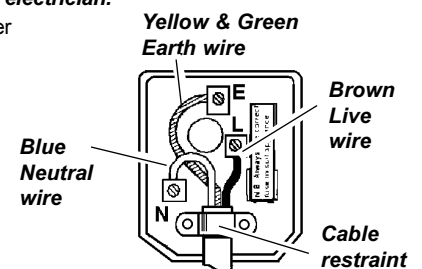
1.2.3. We recommend personal protection by using the following safety items: **Paint Spray Respirator (Sealey ref. SSP16EN), PE Coated Hooded Coverall (Sealey ref. SSP266), Latex Gloves (Sealey ref. SSP24).**

1.2.4. Take adequate measures to contain the paint dust, flakes, and scrapings.

1.2.5. When task is complete continue to wear safety equipment as in 1.2.3. and thoroughly clean all areas. Ensure paint waste is disposed of in sealed bags or containers.

1.3. GENERAL SAFETY

- ✓ Disconnect the gun from the mains power before changing accessories, servicing or performing other maintenance.
- ✓ Maintain the gun in good condition, use an authorised service agent.
- ✓ Use recommended accessories only. Unapproved accessories can be hazardous and will invalidate your warranty.
- ✓ Wear appropriate protective clothing and equipment. Work gloves and eye protection are mandatory. Protect long hair and remove loose fitting garments and jewellery. Maintain correct balance and footing and wear non-slip shoes.
- ✓ Evaluate your work area before using the gun. i.e. ceiling, floors and enclosures may contain flammable materials.
- ✓ Keep the work area clean, uncluttered and well lit. Use the gun only in a well ventilated area.
- ✓ Ensure that small or irregular shaped objects are secured in a vice or clamps before you work on them.
- ✓ Stay alert! Always pay attention to the work in hand when operating this gun.
- ✓ Guard against electric shock by not contacting grounded surfaces, i.e. pipes, radiators, etc. when using electric hand tools.
- ✓ Keep the gun handle dry, clean and free from oil and grease. Clean any paint or varnish from the nozzle after use.
- ✓ Allow the gun to cool before storing (only store when cold). Store in a safe, dry place out of the reach of children.
- x **DO NOT** direct the hot airflow at yourself, others, animals or plants and **DO NOT** allow children to operate the gun.
- x **DO NOT** use the gun in rain or in a wet environment, or in areas of high humidity and dampness (i.e. bathrooms, steam rooms, etc.).
- x **DO NOT** obstruct the hot airflow by blocking or covering the air outlet.
- x **DO NOT** touch the nozzle during, or after, use as it becomes extremely hot.
- x **DO NOT** leave the hot air gun running unattended. Always turn off the power supply.
- x **DO NOT** use the gun on a task it is not designed for.



FUSE RATING

THIS PRODUCT MUST BE FITTED WITH A
13 AMP FUSE

- x **DO NOT** use the gun in combination with chemical strippers.
- x **DO NOT** operate the gun when you are tired or under the influence of alcohol, drugs or intoxicating medication.
- x **DANGER! DO NOT USE THE HOT AIR GUN AS A HAIR DRYER.**

2. SPECIFICATION & CONTENT

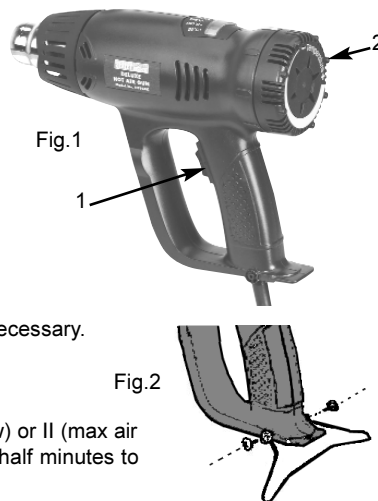
Fitted with variable electronic temperature control and LED temperature display. Two-speed air-flow control. Nozzle storage slot in grip guard. Suitable for paint stripping, soft soldering, removing sticky labels and defrosting frozen pipes. Ball joint cable guide reduces cable wear. Double insulated and fitted with BS approved 3 pin safety plug. Supplied with four nozzles, stand, stripper, scraper handle, three scraper blades and carry-case.

Specification

Power Supply230V - 1ph
Motor2 speed
Power1000 - 2000W
Temperature Range50 - 550/50 - 650°C
Air Flow265 - 520ltr/min
Sound Level72.6 dB

Kit Contents

- 1) HS104K Hot Air Gun
- 2) Four Nozzles
- 3) Stand
- 4) Stripper
- 5) Scraper handle
- 6) Three scraper blades
- 7) Carry case



3. OPERATING INSTRUCTIONS

3.1. Preparing the hot air gun for use.

3.1.1 Assembling the stand.

3.1.2 The wire stand should be set up before operation to allow the gun to be rested when necessary.

3.1.3 Fix the wire stand to the base of the gun using the two fixing screws. (Fig2)

3.1.4 Operating the gun.

3.1.5. Before plugging into the mains ensure the gun switch is in the 'Off', position.

3.1.6. When ready to start work, set airflow switch (fig.1.1) to the required setting, I (min air flow) or II (max air flow). Adjust the temperature by rotating the temperature dial (Fig.1.2). Allow one and a half minutes to heat to the desired temperature using the LED display for reference.

NOTE: When new, the hot air gun may generate smoke which will decrease with use.

WARNING! KEEP HANDS AWAY FROM THE IMMEDIATE NOZZLE AREA. IF LEAD PAINT IS BEING REMOVED FOLLOW THE SAFETY INSTRUCTIONS. ALWAYS WEAR GLOVES AND EYE PROTECTION.

3.2. Paint and varnish removal

The easy removal of paint and varnish requires practice. Follow these simple working techniques to achieve the required result.

NOTE: the hot air gun is designed to remove both oil and latex based paints and varnishes from surfaces. It will not remove stains or primer coats that have impregnated the surface.

3.2.1. Switch the gun on and allow it to reach its operating temperature.

3.2.2. Always test on a small non-critical area first.

3.2.3. Hold the gun nozzle 75mm to 100mm from the paint to be removed.

3.2.4. After a short time the paint will soften and begin to blister.

3.2.5. Do not overheat the paint as this will cause it to burn which makes it more difficult to remove. **Wear eye protection, especially when stripping paint from overhead. If lead paint is being removed, refer to the warning at the beginning of this manual.**

3.2.6. Begin scraping the paint off. Work from top to bottom. Use a scraper with smooth even strokes, warming the surface in front of the scraper by moving the gun slightly from side to side.

3.2.7. If the correct temperature has been applied to the paint, thick, even layers can be removed in a single pass (paint should be removed in strips equal in width to the scraper blade). Scrape paint as soon as it becomes soft, as it will re-harden very quickly.

3.2.8. Keep the scraper blade edge clean and sharp to prevent paint peelings from building up.

3.2.9. After softening, shaped or profiled surfaces may be stripped by using a wire brush.

3.2.10. To protect surrounding surfaces from the heat, cover with a non-flammable material.

IMPORTANT: Do not concentrate the hot air gun on glass as the glass may crack.

4. CARE AND MAINTENANCE

Unplug gun from power supply before performing any maintenance.

4.1. Keep the air intake and outlet openings clean and free from dirt and peelings.

4.2. Use only a damp cloth and mild household cleaning agent to wipe the gun clean. **DO NOT** use turpentine, paint thinner, gasoline or similar substances to clean the gun.

4.3. Check the gun, power lead and nozzles for damage before storage.

4.4. Store the gun in a safe, dry, childproof area.

5. OTHER TASKS

The gun may also be used for the following: Removing self-adhesive stickers and trim/Loosening rusted or over-tightened nuts and metal screws/Thawing frozen pipes, doors, padlocks, etc./Defrosting ice-compartments/Highlighting natural woodgrain before staining or varnishing/Fast drying of paint or varnish/Softening old putty/Drying wet timber prior to repairs or finishing/Shrinking shrink-wrap sheeting/Shrinking polyvinyl wire joints/Soldering/Sterilisation 500°C/Removing candle wax/Restoring candles/Repair of tarpaulin or PVC/Joining garden hose/Melting pewter, tar, bitumen or wax/Model making/Moulding pvc, wood, copper, Plexiglass into shape/Plumbing tasks/Roofing repairs/Applying veneer strips/Control of garden path weeds/Waxing and de-waxing skis/Chemistry, use as a bunsen-burner/And more.

Important: Safety is a key principle when using the gun. When approaching a new task consider the dangers that may arise, take any necessary precautions and practice first.

Declaration of Conformity We, the sole importer into the UK, declare that the product listed below is in conformity with the following standards and directives.

Hot Air Gun Model: HS104K
73/23/EEC Low Voltage Directive
89/336/EEC EMC Directive



The construction file for this product is held by the Manufacturer and may be inspected, by a national authority, upon request to Jack Sealey Ltd.

Signed by Mark Sweetman

1st Aug 2004

For Jack Sealey Ltd. Sole importer into the UK of Sealey Power Tools.

NOTE: It is our policy to continually improve products and as such we reserve the right to alter data, specifications and component parts without prior notice. **IMPORTANT:** No liability is accepted for incorrect use of product. **WARRANTY:** Guarantee is 12 months from purchase date, proof of which will be required for any claim. **INFORMATION:** For a copy of our latest catalogue and promotions call us on 01284 757525 and leave your full name and address, including postcode.



Sole UK Distributor,
Sealey Group,
Bury St. Edmunds, Suffolk.



01284 757500



01284 703534

E-mail: sales@sealey.co.uk