

SEALEY

INSTRUCTIONS FOR HYDRAULIC PLATFORM TRUCKS MODEL NO'S: HPT150.V2, HPT300.V3

Thank you for purchasing a Sealey product. Manufactured to a high standard, this product will, if used according to these instructions, and properly maintained, give you years of trouble free performance.

IMPORTANT: PLEASE READ THESE INSTRUCTIONS CAREFULLY. NOTE THE SAFE OPERATIONAL REQUIREMENTS, WARNINGS & CAUTIONS. USE THE PRODUCT CORRECTLY AND WITH CARE FOR THE PURPOSE FOR WHICH IT IS INTENDED. FAILURE TO DO SO MAY CAUSE DAMAGE AND/OR PERSONAL INJURY AND WILL INVALIDATE THE WARRANTY. KEEP THESE INSTRUCTIONS SAFE FOR FUTURE USE.



Refer to
Instruction
manual



Wear safety
footwear



No reaching in

1. SAFETY

- WARNING!** Ensure all Health and Safety, local authority, and general workshop practice regulations and recommendations are strictly adhered to when lifting or moving heavy loads. The lifting or movement of heavy loads may be dangerous if not undertaken correctly.
- ✓ Familiarise yourself with the application and limitations, as well as the specific potential hazards peculiar to the truck.
- ✓ Maintain the truck in good condition (use an authorised service agent).
- ✓ Replace or repair damaged parts. *Use genuine parts only. Non authorised parts may be dangerous and will invalidate the warranty.*
- ✓ Use a qualified person to lubricate and maintain the truck. **DO NOT** use brake fluid to top up hydraulic unit. Use Sealey hydraulic oil only.
- ✓ Keep the truck clean for best and safest performance. **DO NOT** use on tarmac when fully laden as the wheels may sink in.
- ✓ Locate truck in an adequate working area for its function, keep area clean and tidy and free from unrelated materials.
- WARNING!** Use truck on flat, level, solid ground, preferably concrete. Ensure the floor over which the truck will be transported is swept clean and that there are no obstacles in the way.
- ✓ Keep the work area clean, uncluttered and ensure there is adequate lighting.
- ✓ Keep children and non essential persons away from the loading/unloading and transporting area.
- ✓ Keep hands and body clear of the edge and underside of the platform when operating the truck.
- ✓ Maintain correct balance and footing. Ensure the floor is not slippery and wear non slip shoes.
- WARNING!** Ensure load is placed level and centrally on truck platform and if necessary strap load in place before attempting to lift, lower, or transport. When raised, check that the platform will not foul on the handle and/or your hand when lowering the load.
- WARNING!** Use the truck with diligence. **DO NOT** allow truck to knock into anything. Even when unladen, the truck is heavy and if misused could cause serious damage or personal injury. Continually monitor transportation, lifting and lowering operation.
- ✓ Take care to ensure you can view the way ahead when moving the truck. Take special care when approaching blind corners.
- ✓ Before lifting check that there are no overhead obstructions.
- ✓ Engage the wheel locks before attempting to raise or lower the platform.
- ▲ **DANGER!** If a heavy load tips or leans **STOP WHAT YOU ARE DOING. MOVE QUICKLY TO A SAFE DISTANCE. DO NOT TRY TO HOLD OR STEADY a heavy load. Failure to follow this instruction may cause serious personal injury.**
- ✓ Ensure the truck is fully lowered before attempting to transport a load.
- ✓ Before lowering the platform, ensure there are no obstructions underneath the platform and that all persons are standing clear of the truck.
- ✓ The lowering speed is a fixed rate regardless of the load weight. Stop lowering by releasing the valve control lever on the handle.
- WARNING! DO NOT** exceed the rated capacity of the truck.
- ✗ **DO NOT** use the truck if a part is missing or damaged.
- ✗ **DO NOT** load the truck so that it is top-heavy. Ensure loads are evenly placed on the truck platform.
- ✗ **DO NOT** ride on the truck or allow any person to be transported on the truck.
- ✗ **DO NOT** use the truck for any purpose other than lifting, lowering and transporting loads.
- ✗ **DO NOT** allow truck to free wheel in transit. Always propel and control the truck by using the handle.
- ✗ **DO NOT** use the truck on sloping surfaces.
- ✗ **DO NOT** operate the truck when you are tired or under the influence of alcohol, drugs or intoxicating medication.
- ✗ **DO NOT** allow children to operate the truck.
- ✗ **DO NOT** adjust or tamper with the hydraulic safety valve.
- ✗ **DO NOT** place any part of your body within or under the truck platform when raised.
- ✓ When not in use, fully lower the platform and store in a safe, dry, childproof area.

2. INTRODUCTION

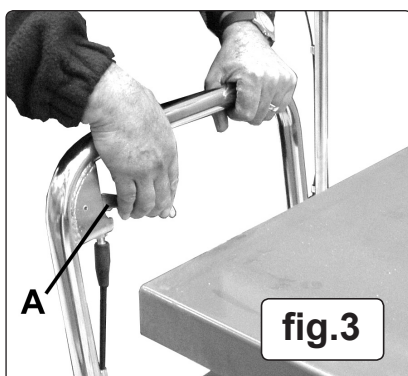
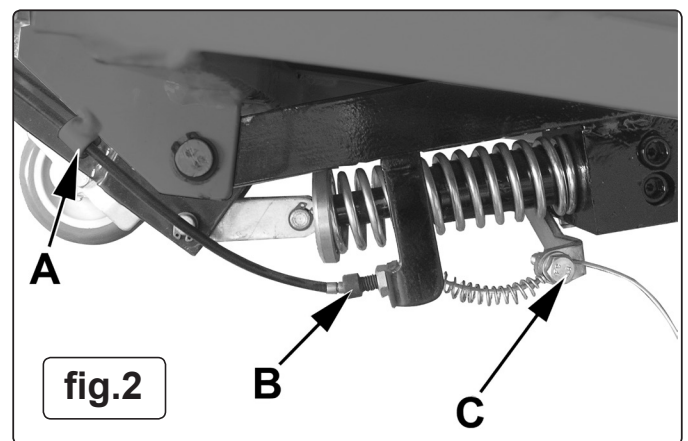
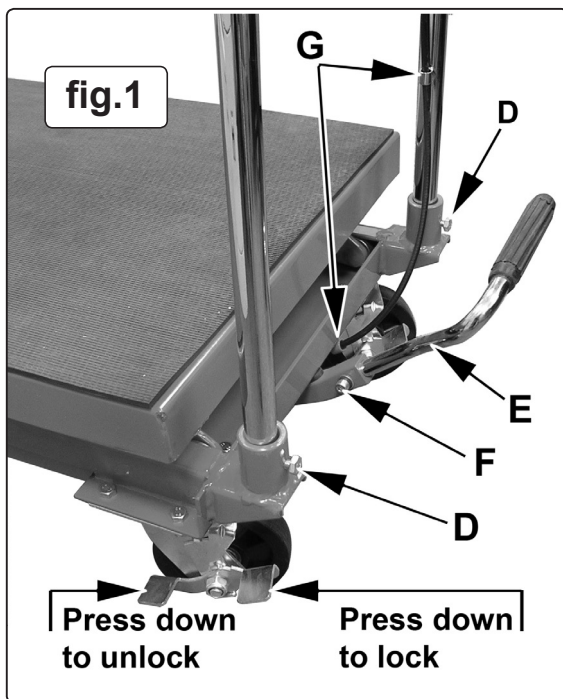
Heavy-duty construction. Both models fitted with two fixed and two swivel composite wheels for easy rolling over rough workshop and warehouse floors. Swivel wheels fitted with foot-operated brake. One-piece hydraulic unit controlled by large rear mounted foot pedal. Safety release mechanism positioned on handlebar for smooth controlled descent. Models feature safety bars to prevent inadvertent lowering. Suitable for numerous garage, industrial and warehouse handling applications. Supplied with non-slip platform cover for added load security. May also be used as a mobile service bench.

3. SPECIFICATION

Model:	HPT150.V2	HPT300.V3
Capacity (kg):	150kg	300kg
Min platform height (mm):	225mm	270mm
Max platform height (mm):	700mm	770mm
Platform length:	705mm	820mm
Platform width (mm):	450mm	520mm
Wheel diameter:	100mm	125mm
Nett weight:	39.2kg	61.89kg

4. ASSEMBLY

- 4.1. A minimum of two people will be required to lift the truck out of its packaging. Alternatively, cut and fold down flat one end of the box and wheel the truck out.
- 4.2. **Fitting the handle.** At the back of the truck there are two upstanding sockets to receive the bent loop handle, fig.1D. Partially unscrew the two locking bolts that pass into the sockets so that they no longer protrude into the sockets. Drop the ends of the bent chrome handle into the sockets and tighten the bolts until the handle is held firmly.
- 4.3. **Fitting the foot pedal.** Slide the end of the foot pedal into the socket situated centrally between the two handle uprights, see fig.1E. The foot pedal retaining bolt, see fig.1F, screws directly into the material of the foot pedal stem.
- 4.4. **Connecting the control cable.** Remove the cable guide bush, fig.2B, from the free end of the cable and feed the end of the cable and cable sheath through the cable guide tubes welded to the handle and the underside of the frame. See fig.1G and fig.2A. Once the cable been fed through the guides slide the bush back over the cable and onto the sheath. Feed the cable through the hole in the bush retaining bracket and then through the hole in the clamping bolt on the actuating lever, fig.2C. Now screw the guide bush into the bracket, see Fig.2B. Pull the end of the cable so that there is no play in the movement of the lever mounted on the handle with another 14mm ring spanner.



5. OPERATION

5.1. Before first use.

5.1.1. Before using the truck for the first time purge any air from the hydraulic circuit by pumping the foot pedal 10 to 15 times whilst holding the release lever, fig.3A in.

5.1.2. To test the truck, release the lever which will close the hydraulic valve. Pump the foot pedal, fig.1E, and raise the truck platform to its highest position. Pull the valve lever, fig.3A to lower the platform (the platform may be slow to descend immediately from its highest point). If the platform fails to descend adjust the cable length to remove excess play in the release lever movement.

5.2. Using the truck

- ❑ **WARNING!** Ensure you read, understand and follow the safety instructions. Ensure all Health and Safety, local authority and general workshop practice regulations and recommendations are strictly adhered to when lifting or moving heavy loads. The lifting or movement of heavy loads may be dangerous if not undertaken correctly.

5.2.1. Move the truck to the required loading area and raise the platform to loading height and engage safety bars, fig.5A. Lock the truck wheels individually with the wheel foot brakes, see fig.1.

5.2.2. Load the truck.

5.2.3. Remove safety bars and lower the truck platform to the lowest position before unlocking the wheels.

- ❑ **WARNING!** Ensure the load will not foul on anything, and is clear of your hands and the handle when lowering, fig.4.

5.2.4. Unlock the wheels and transport the load to the required destination.

5.2.5. To unload, lock the wheels and raise platform if required, then unload the truck.

Note: With or without a load, always transport the truck with platform in its lowest position. When not in use, store the truck with the platform in the lowest position.

6. MAINTENANCE

6.1. When the truck is not in use, the platform must be in the lowest position to minimise ram and piston corrosion.

6.2. Keep the truck clean and wipe off any oil or grease. Lubricate all moving parts with acid free oil.

- ✖ **DO NOT** use truck if believed to have been subjected to abnormal load or shock load. Inspect and if necessary take appropriate action.

6.3. Periodically check the pump piston and piston rod for signs of corrosion. Clean exposed areas with a clean oiled cloth.

IMPORTANT: Only fully qualified personnel should attempt maintenance or repair of the truck hydraulic system.

6.4. The oil cylinder is a sealed unit and must not be accessed. For service contact your authorised dealer.

IMPORTANT: All other maintenance and repair (including oil change) must only be undertaken by fully qualified personnel.

Contact your local authorised service agent.

6.5. The oil cylinder is a sealed unit and in principle should not be accessed. To top up or change the oil remove oil plug.

WARNING! Only a good quality hydraulic oil such as SEALEY HYDRAULIC JACK OIL must be used, DO NOT use brake fluid.

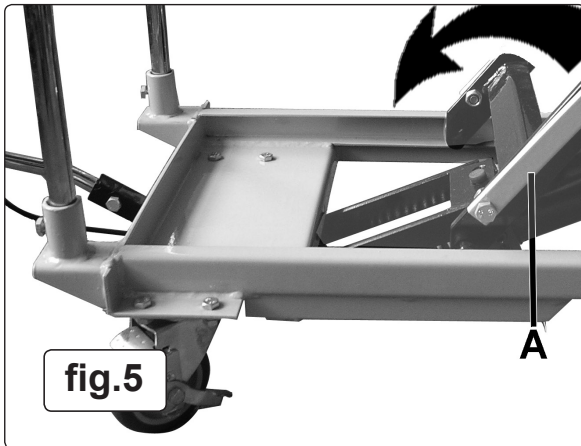
IMPORTANT: NO RESPONSIBILITY IS ACCEPTED FOR INCORRECT USE OF THE TRUCK.

Hydraulic products are only repaired by local service agents.

We have service/repair agents in all parts of the UK.

DO NOT RETURN TRUCK TO US. Please telephone 01284 757500 to obtain address and 'phone number of your local agent. If truck is under guarantee please contact your dealer.

De-commissioning the truck: Should the truck become completely unserviceable and require disposal, draw off the oil into an approved container and dispose of the truck and the oil according to local regulations.



ENVIRONMENT PROTECTION

Recycle unwanted materials instead of disposing of them as waste. All tools, accessories and packaging should be sorted, taken to a recycling centre and disposed of in a manner which is compatible with the environment. When the product becomes completely unserviceable and requires disposal, drain any fluids (if applicable) into approved containers and dispose of the product and fluids according to local regulations.

Note: It is our policy to continually improve products and as such we reserve the right to alter data, specifications and component parts without prior notice.

Important: No Liability is accepted for incorrect use of this product.

Warranty: Guarantee is 12 months from purchase date, proof of which is required for any claim.

Sealey Group, Kempson Way, Suffolk Business Park, Bury St Edmunds, Suffolk. IP32 7AR



01284 757500



01284 703534



sales@sealey.co.uk



www.sealey.co.uk