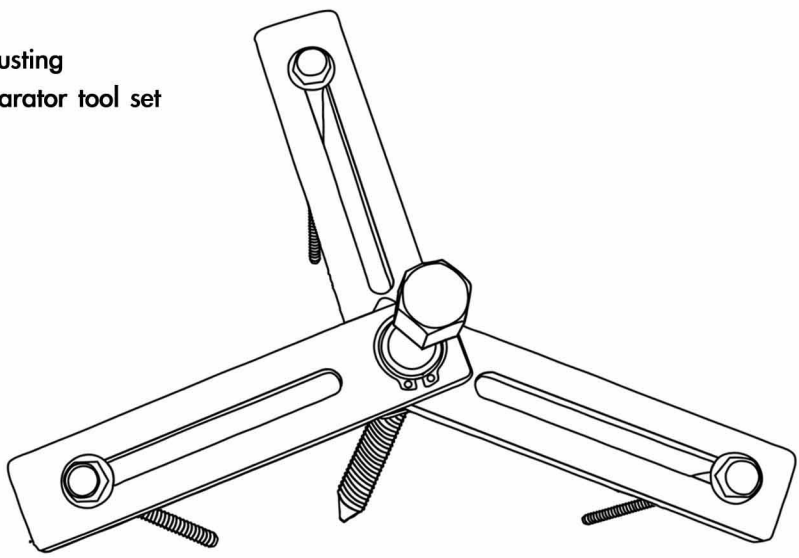
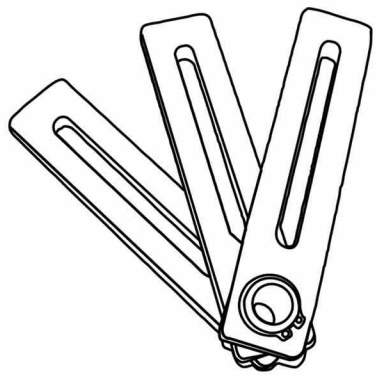
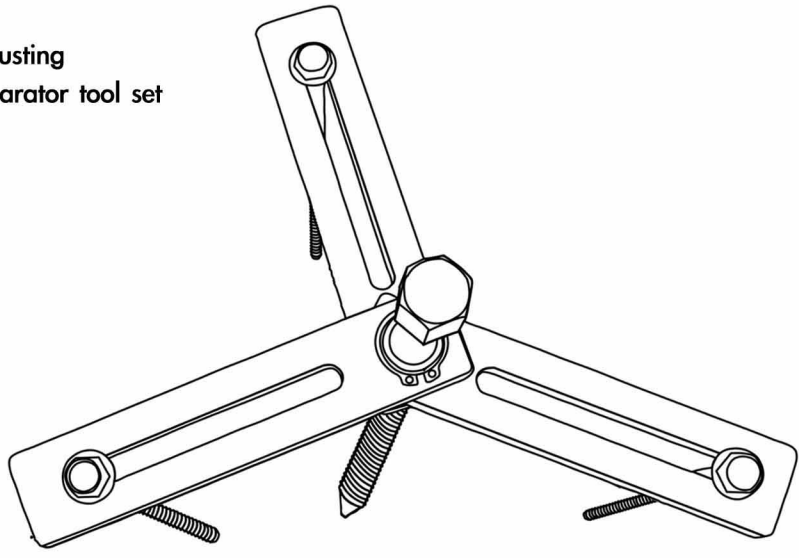


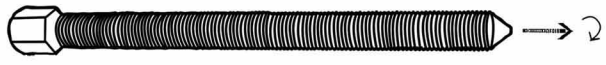
HO-4251  
 Heavy Duty Adjusting  
 Crank Case Separator tool set  
 Instruction



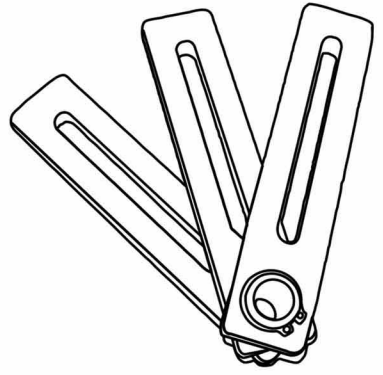
HO-4251  
 Heavy Duty Adjusting  
 Crank Case Separator tool set  
 Instruction



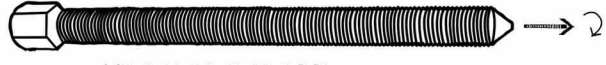
- M8 X P1.25 X 90L      M6 X P1.0 X 65L
- M8 X P1.25 X 90L      M6 X P1.0 X 57L
- M8 X P1.25 X 90L      M6 X P1.0 X 49L



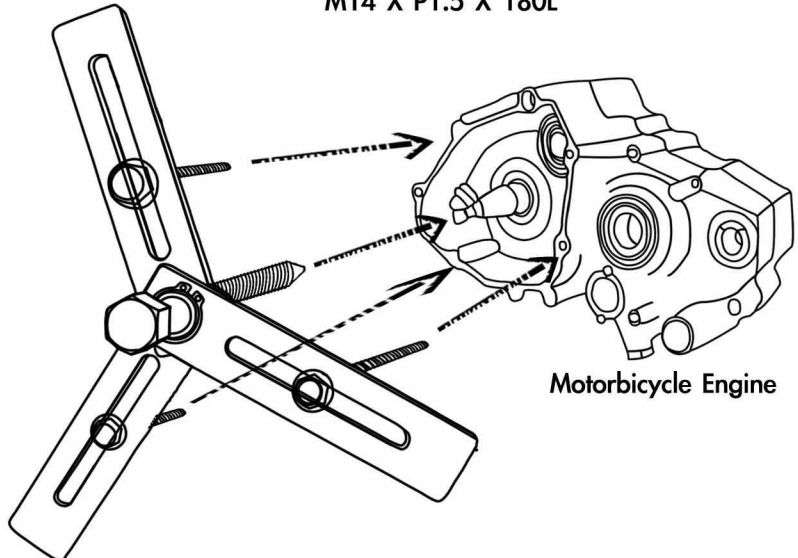
M14 X P1.5 X 180L



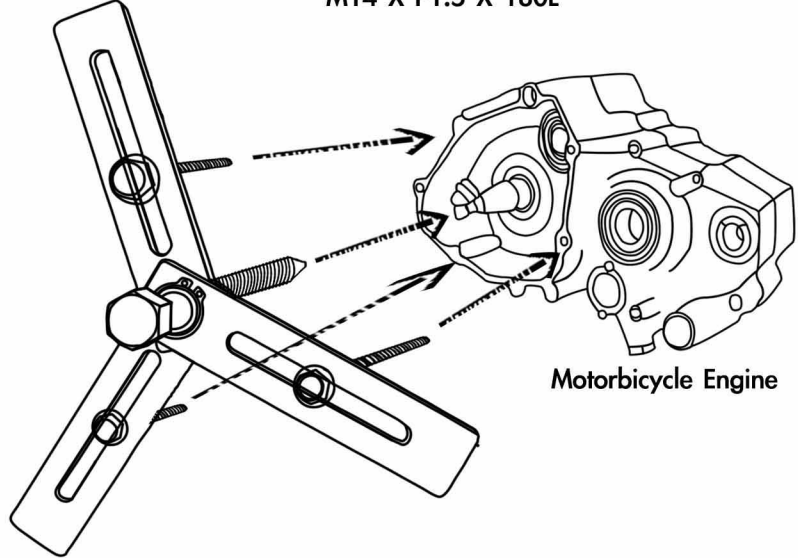
- M8 X P1.25 X 90L      M6 X P1.0 X 65L
- M8 X P1.25 X 90L      M6 X P1.0 X 57L
- M8 X P1.25 X 90L      M6 X P1.0 X 49L



M14 X P1.5 X 180L



Motorbicycle Engine



Motorbicycle Engine