



INSTRUCTIONS FOR:

# GALVANIZED STEEL SHED GREEN 1.5 X 1.5 X 1.9M

MODEL NO: **GSS1515G**

Thank you for purchasing a Sealey product. Manufactured to a high standard, this product will, if used according to these instructions, and properly maintained, give you years of trouble free performance.



**IMPORTANT:** PLEASE READ THESE INSTRUCTIONS CAREFULLY. NOTE THE SAFE OPERATIONAL REQUIREMENTS, WARNINGS & CAUTIONS. USE THE PRODUCT CORRECTLY AND WITH CARE FOR THE PURPOSE FOR WHICH IT IS INTENDED. FAILURE TO DO SO MAY CAUSE DAMAGE AND/OR PERSONAL INJURY AND WILL INVALIDATE THE WARRANTY. KEEP THESE INSTRUCTIONS SAFE FOR FUTURE USE.

## 1. SAFETY

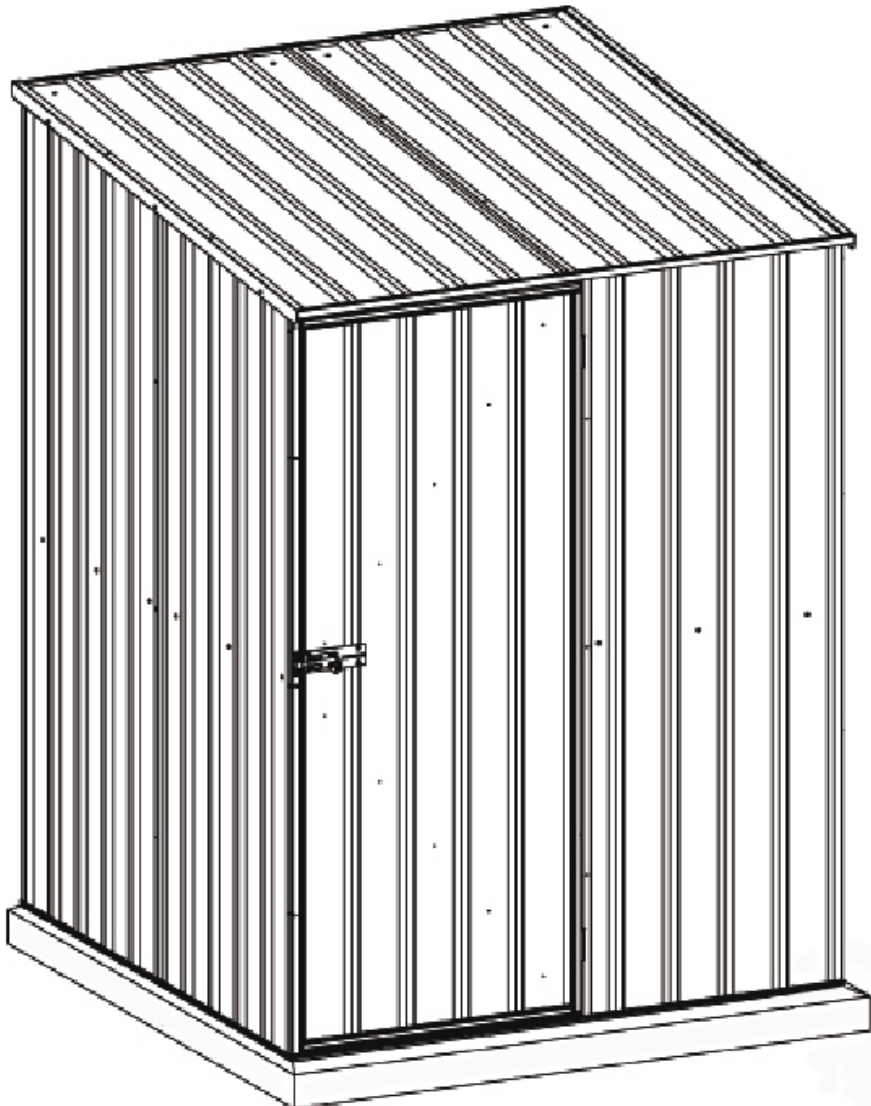
- WARNING!** Ensure Health & Safety, local authority, and general workshop practice regulations are adhered to when building this shed.
- ✓ Keep the work area clean, uncluttered and ensure there is adequate lighting.
- ✓ Keep children and unauthorised persons away from the working area.
- x **DO NOT** use the shed for any purpose other than that for which it is designed.
- ✓ Use appropriate safety clothing including eye protection.
- ✓ The assembly of this product will require assistance.
- x **DO NOT** attempt assembly in windy conditions.

## 2. INTRODUCTION

Galvanized, steel panels easily assembled to form a rigid and secure shed, has skillion (sloping) roof and single door. Door is secured by cross bolt and eyelet which will accept a padlock (not supplied) for additional security. Supplied with bolt-down fixing kit.

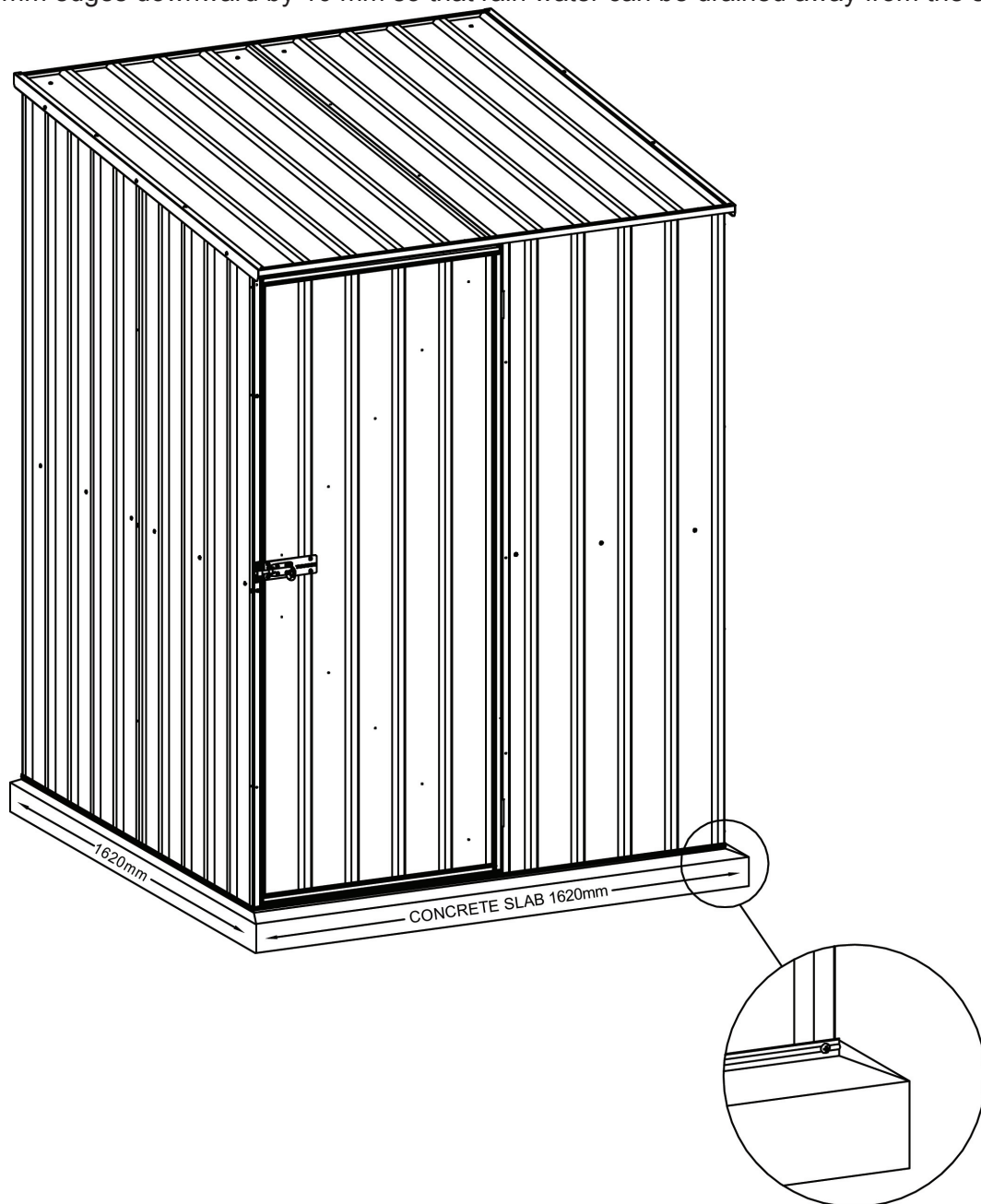
## 3. SPECIFICATION

Model No: ..... **GSS1515G**  
 Overall Size: ..... 1500 x 1500 x 1900mm  
 Roof Type: ..... Skillion



#### 4. CONCRETE SLAB

**Concrete slab:** It is recommended that the shed is secured to a concrete slab as shown below. Please ensure that the site is level. It is recommended that the slab is 100mm thick and you use builders plastic and F52 reinforcing mesh. We recommend that you make the slab 100mm bigger than the base dimensions of the shed. This will allow for a 50mm edge around the shed. We recommend that you slope the 50mm edges downward by 10 mm so that rain water can be drained away from the shed.



## 5. TOOLS REQUIRED

**Electric Drill**



**Cordless Drill**



**Tape Measure**



**Phillips Screw Driver**



**8mm Masonry Bit**



**Pop Rivet Gun**



**Rubber Mallet**



**Step Ladder (2)**



**Adjustable spanner**



**3mm Masonry bit**



**Saw Horse/Trestle**



**Pencil**



**Gloves**

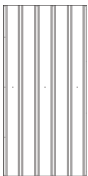
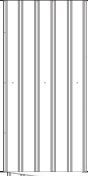
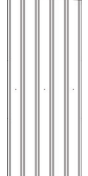



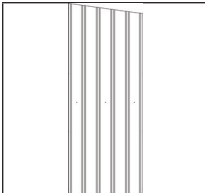
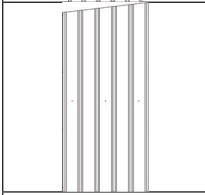
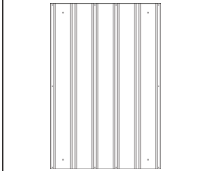
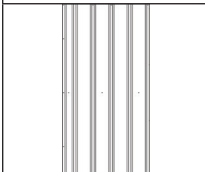
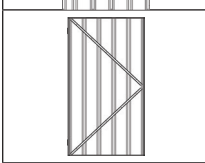
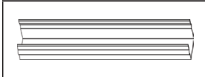





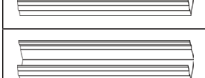

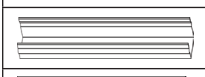

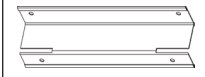
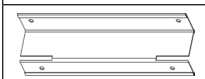
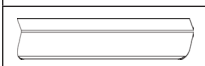

**Protective Eyewear**



## 6. CONTENTS





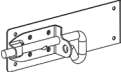
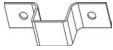


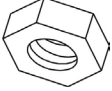
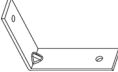

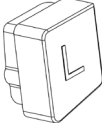


Check all parts against the parts list.

Picture	Description	Component	Location	Part No.	QTY	Check
	Sheet	Sheet 2057x770 zinc-left	rear wall	6L	1	
	Sheet	Sheet 2057x770 zinc-right	rear wall	6R	1	
	Sheet	Sheet 1977-2057x770 zinc-left	side wall	7L	1	
	Sheet	Sheet 1977-2057x770 zinc-right	side wall	7R	1	

	Sheet	Sheet 1900-1980x770 zinc-left	side wall	2L'	1	
	Sheet	Sheet 1900-1980x770 zinc-right	side wall	2R'	1	
	Sheet	Sheet 1600x770 zinc	roof	8	2	
	Sheet	Sheet 1900x708 zinc	front	4	1	
	Door	Sheet 1845x770 zinc	door	5R	1	
	Channel	channel 1508 zinc	roof	20A	4	
	Channel	channel 1508 zinc	rear wall	20B	1	
	Channel	channel 1508 zinc	rear wall	20C	1	
	Channel	channel 1508 zinc	front	20D	1	
	Channel	channel 1508 zinc	front	20E	1	
	Channel	channel 1515 zinc	side wall	25	2	
	Channel	channel 1898 zinc	front	22	1	
	Channel	channel 775 zinc	front	23	1	
	Channel	channel 1458 zinc	rear wall side wall	31	3	
	Channel	channel 674 zinc	front	33R	1	
	Jamb	jamb 1898 white	front	41A	1	
	Jamb	jamb 1898 white	front	41B	1	
	Jamb	jamb 775 white	front	42	1	
	Lip	lip 1601 zinc	roof	51	2	

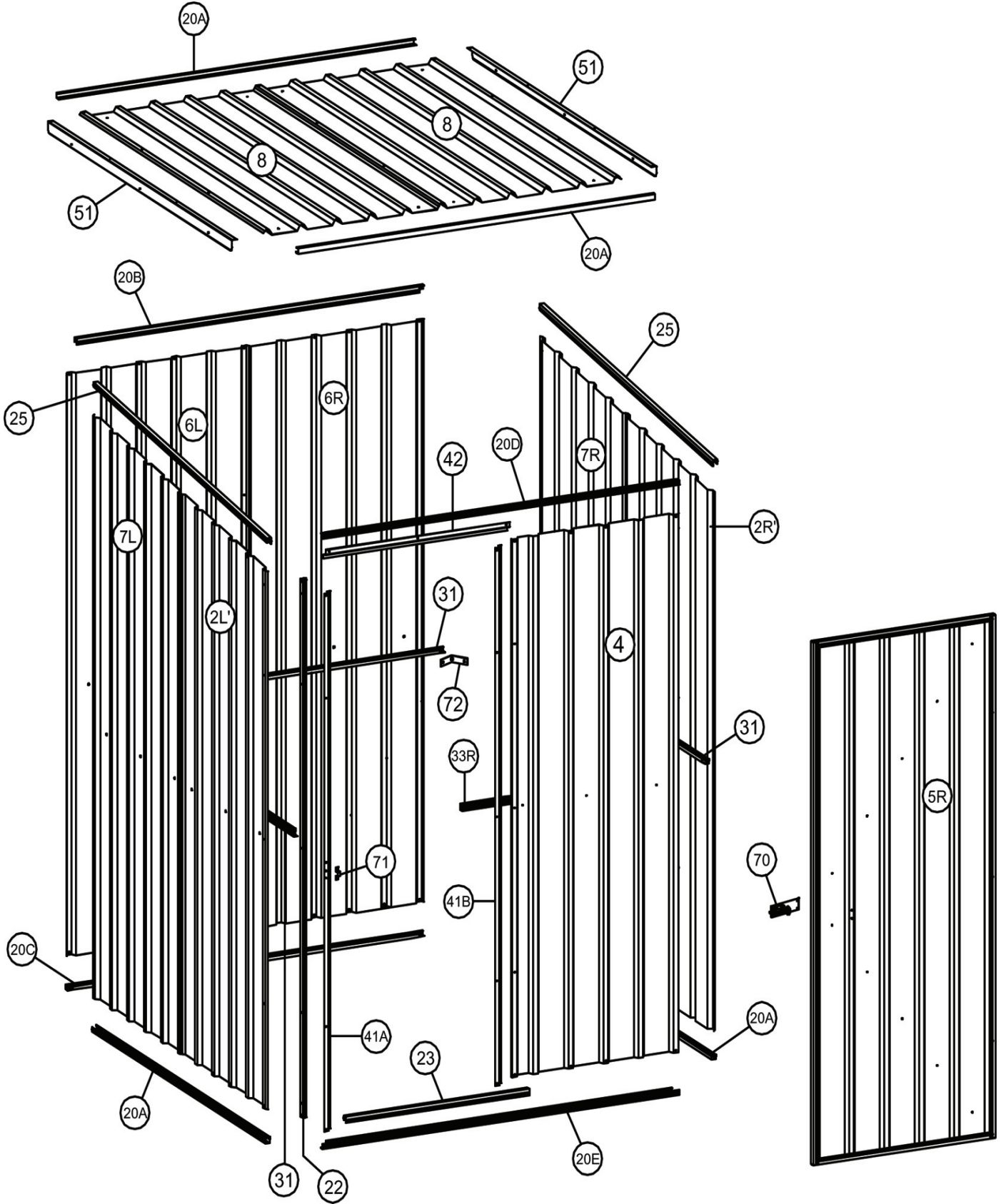
## FITTINGS PACK



Picture	Component	QTY	Picture	Component	QTY
	Self tapping screws(10mm)	140		Self tapping screws(16mm)	10
	4*10mm Rivet	12		3*10mm Rivet	6
	Pad bolt	1		Keeper	1
	Bracket	8		M8*18m/m Hexagonal bolt	8
	M8 Hexagonal Nut	8		Mid wall brace bracket	3
	Self tapper safety cover	25		Channel safety cover (L type)	1
	Channel safety cover (R type)	1		Rawl bolt	8

In the unlikely event that you find you are missing a part, please contact your Sealey dealer.

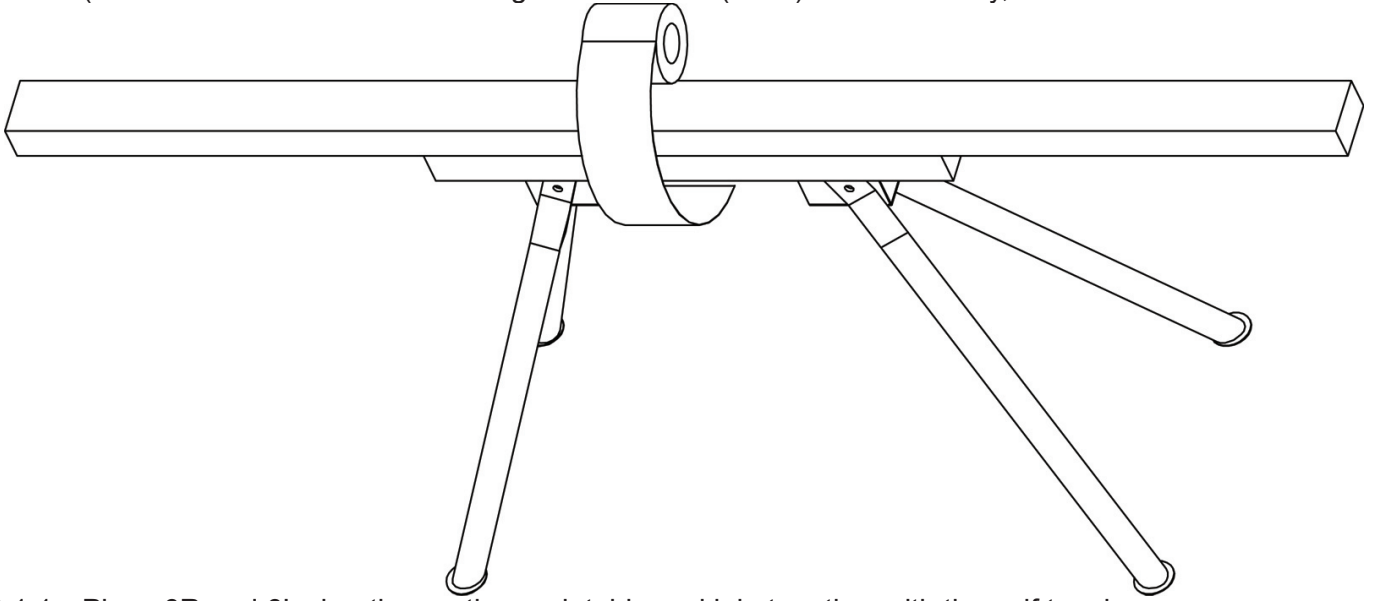
**7. PARTS DIAGRAM**



## 8. ASSEMBLY

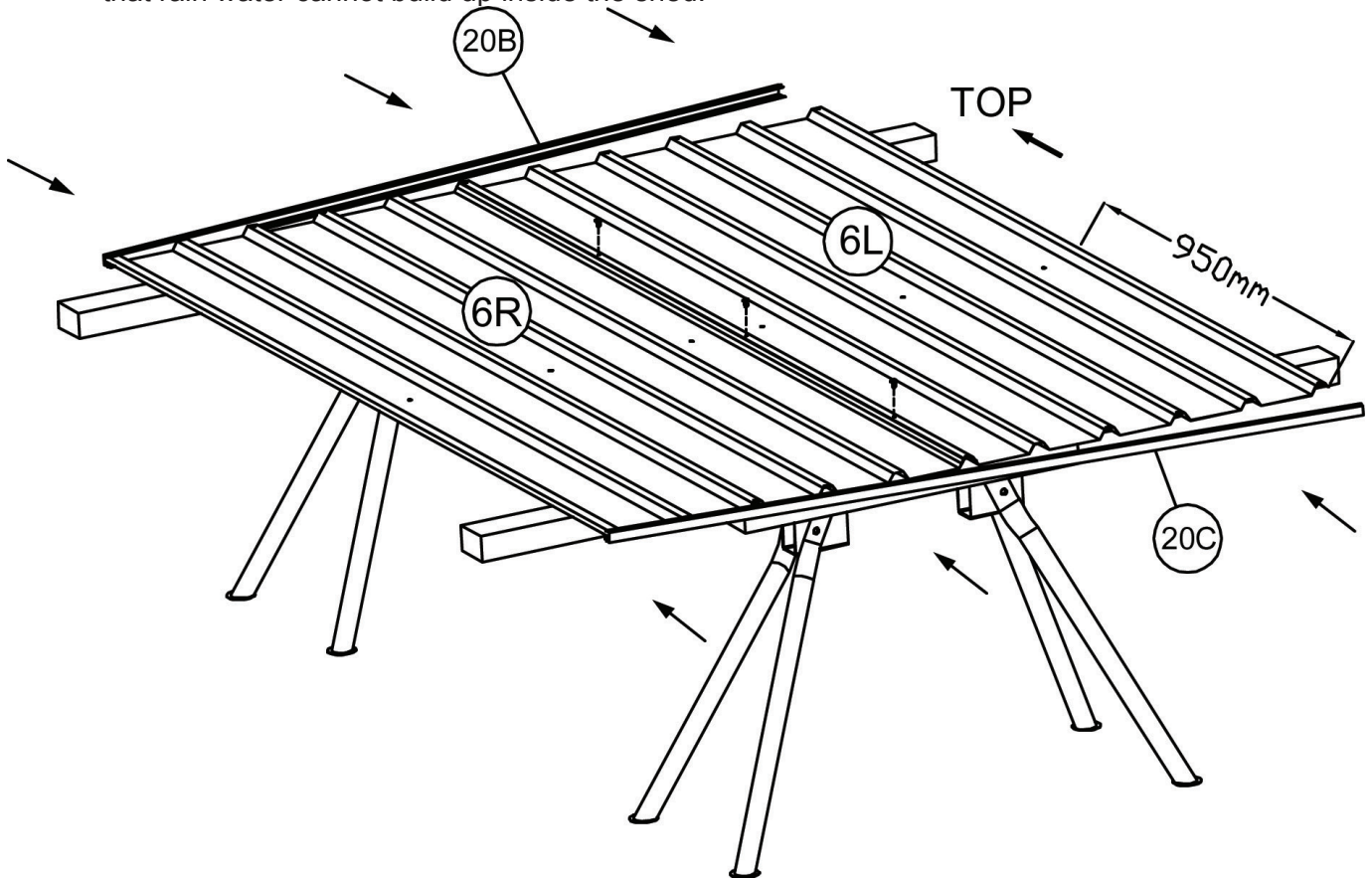
### 8.1. Assemble rear wall panels.

You will find it easier to assemble the shed using sawhorses with timber studs attached (timber needs to be the same length as the shed (1.5m) or alternatively, a trestle table).

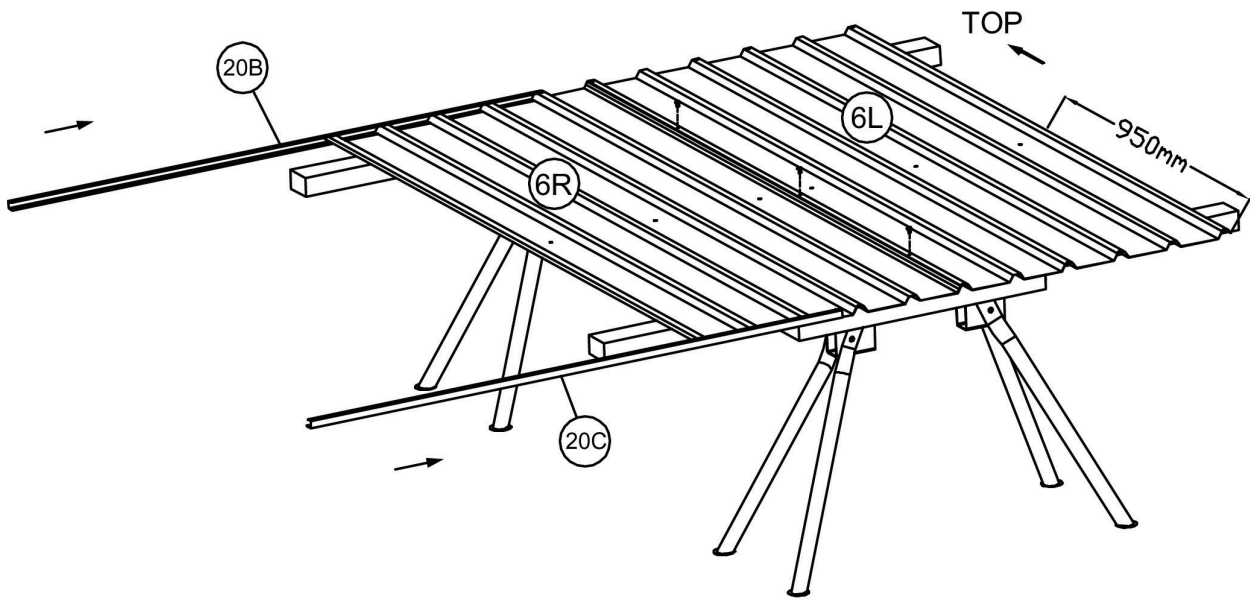


8.1.1. Place 6R and 6L sheeting on the work table and join together with the self tapping screws as per the diagram.

8.1.2. Now fit 20B top channel and 20C bottom channel to the sheeting by tapping it in (diagram A) or sliding it in. (diagram B) Note that the small lip of the channel is always facing out. This is to ensure that rain water cannot build up inside the shed.

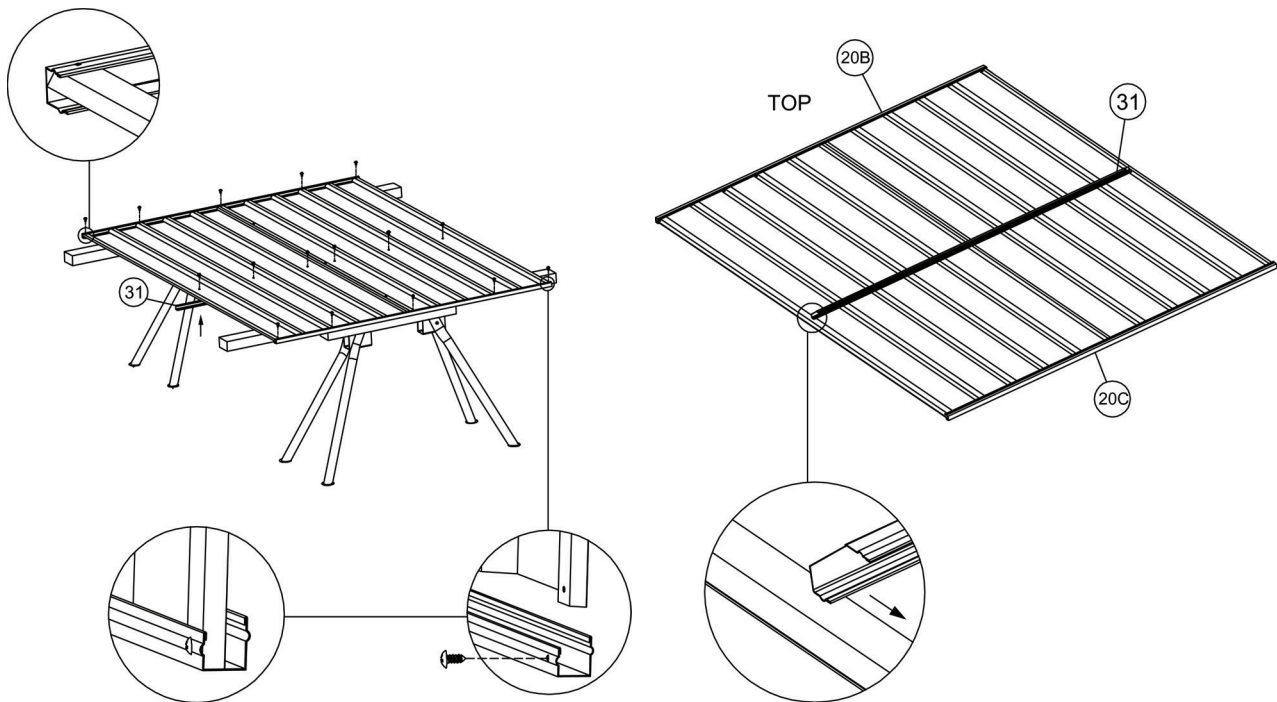


# A



## B

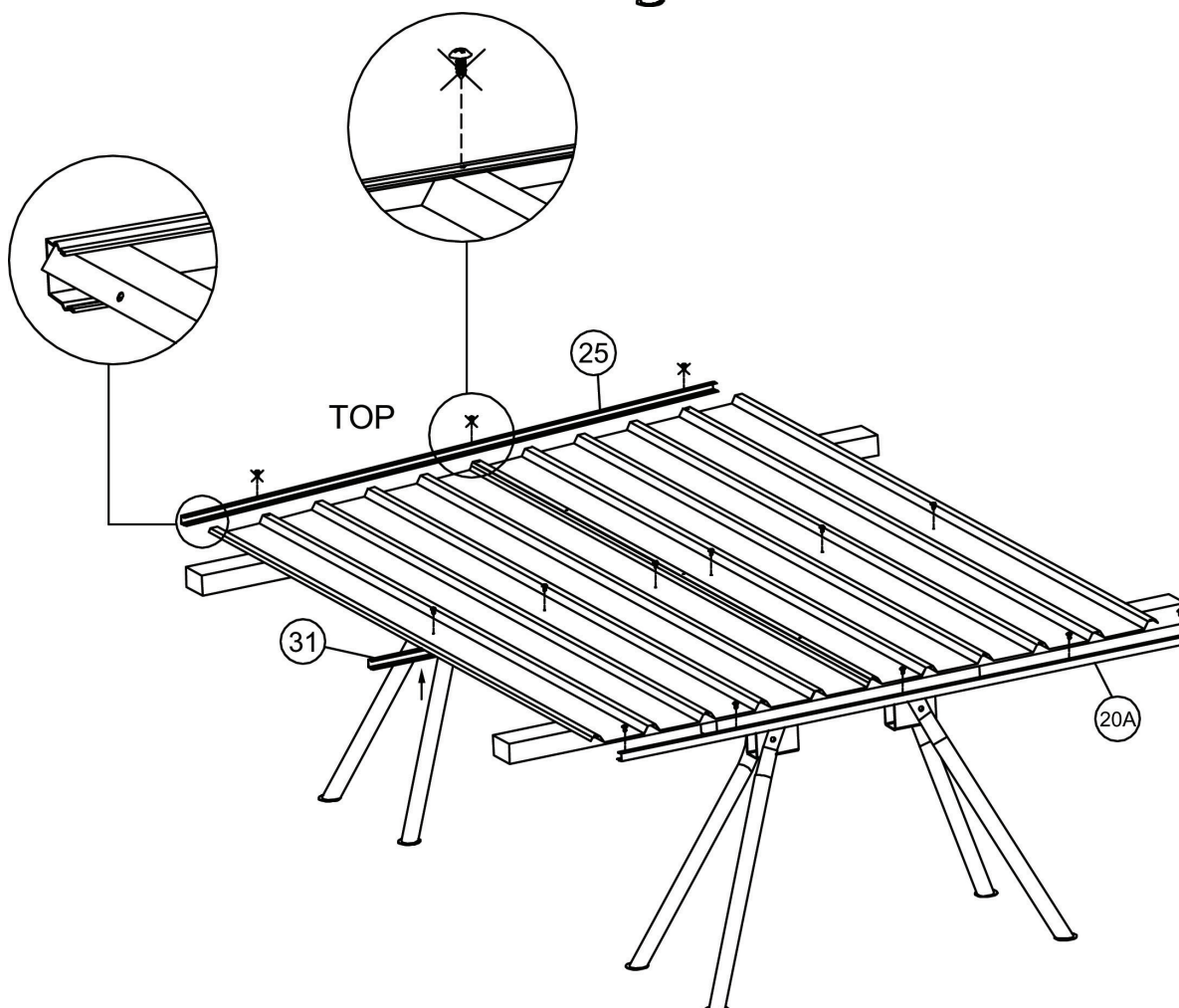
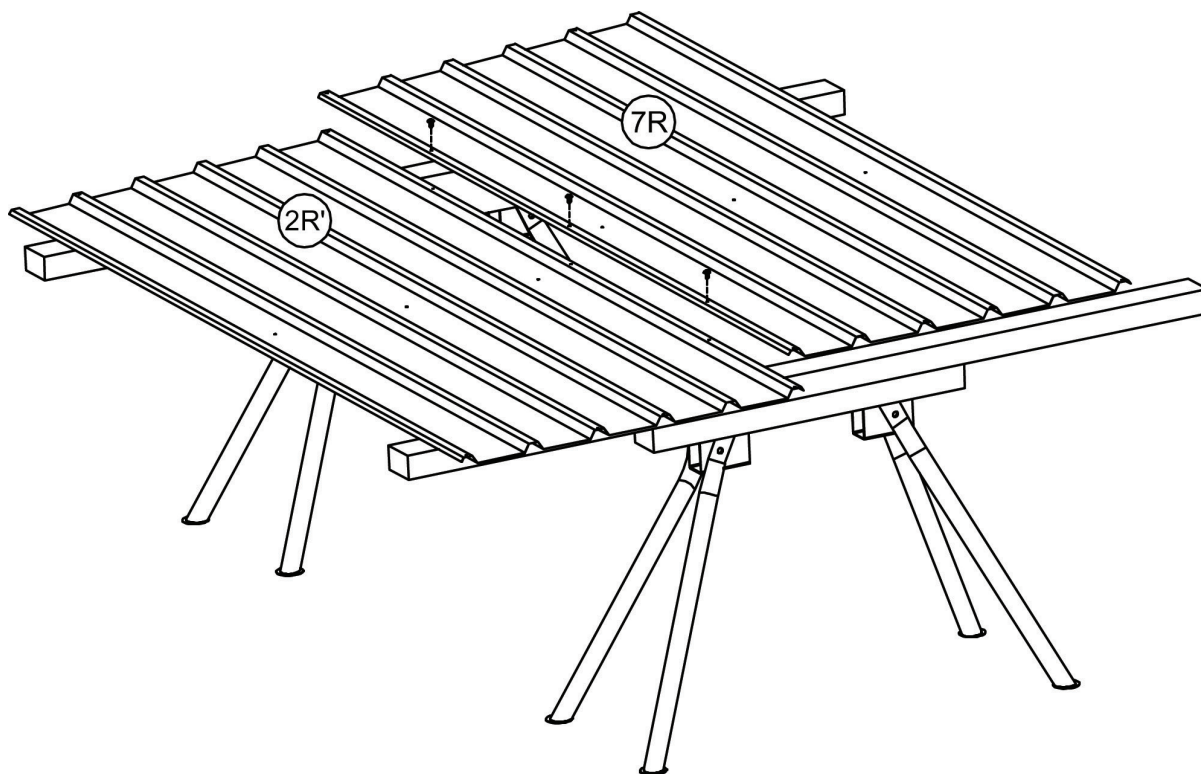
8.1.3. Now fit 31 mid wall channel to the sheeting and position it using the self tapping screws. Please note that the groove should face downwards. Position the top and bottom channels using the self tapping screws as well.





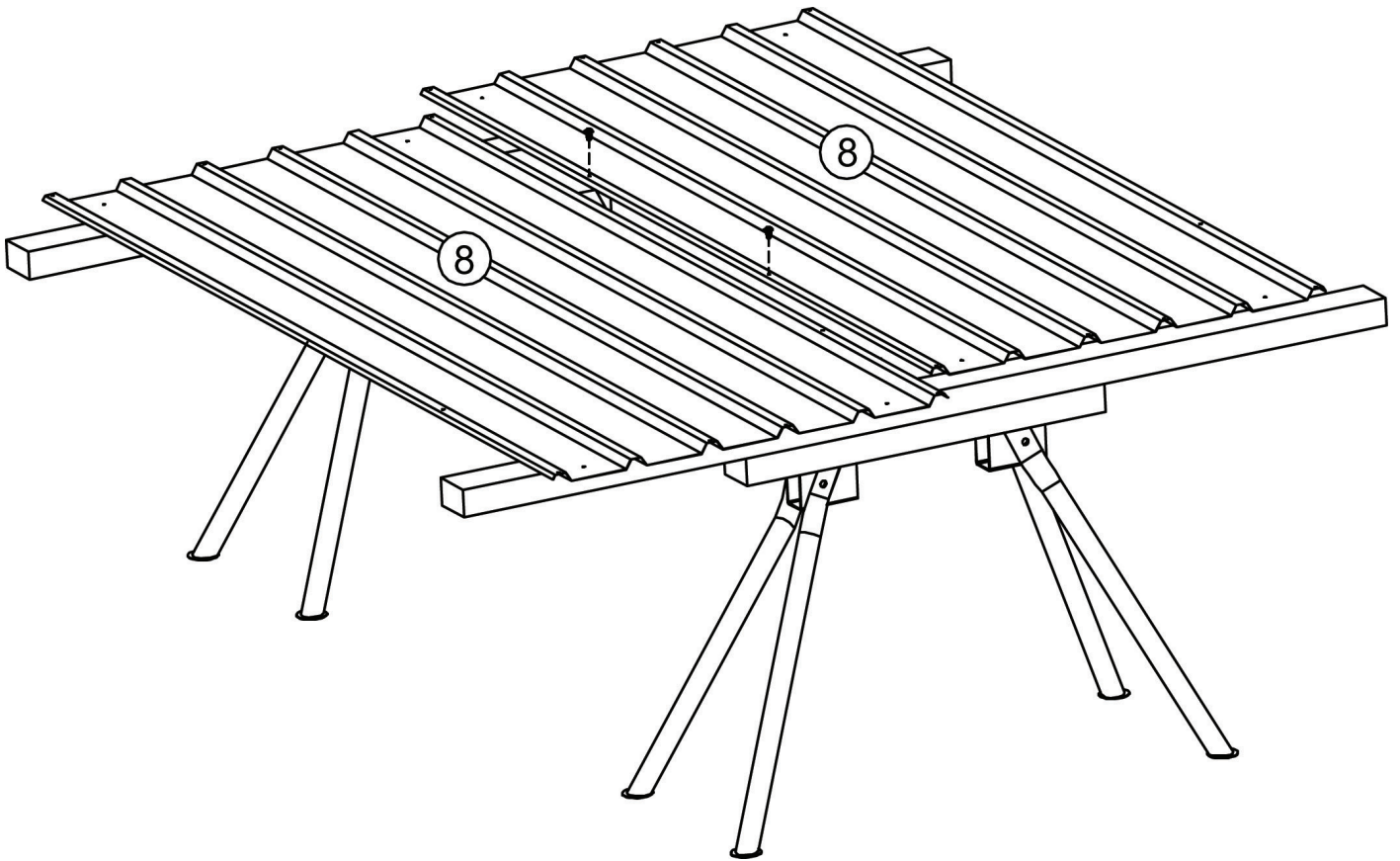
## 8.2. Assemble the side wall panels.

8.2.1. Place 2R and 7R the sheeting on the work table and tap or slide in 25 top channel and 20A bottom channel. Fix and position the 31 mid wall channel using the self tapping screws. Fix 20A the bottom channel with the self tapping screws but not 25 the top channel in this stage. Note that the small lip of the channel is always facing out. This is to ensure that rain water can not build up inside the shed. Repeat the same steps for 2L and 7L the other side wall.

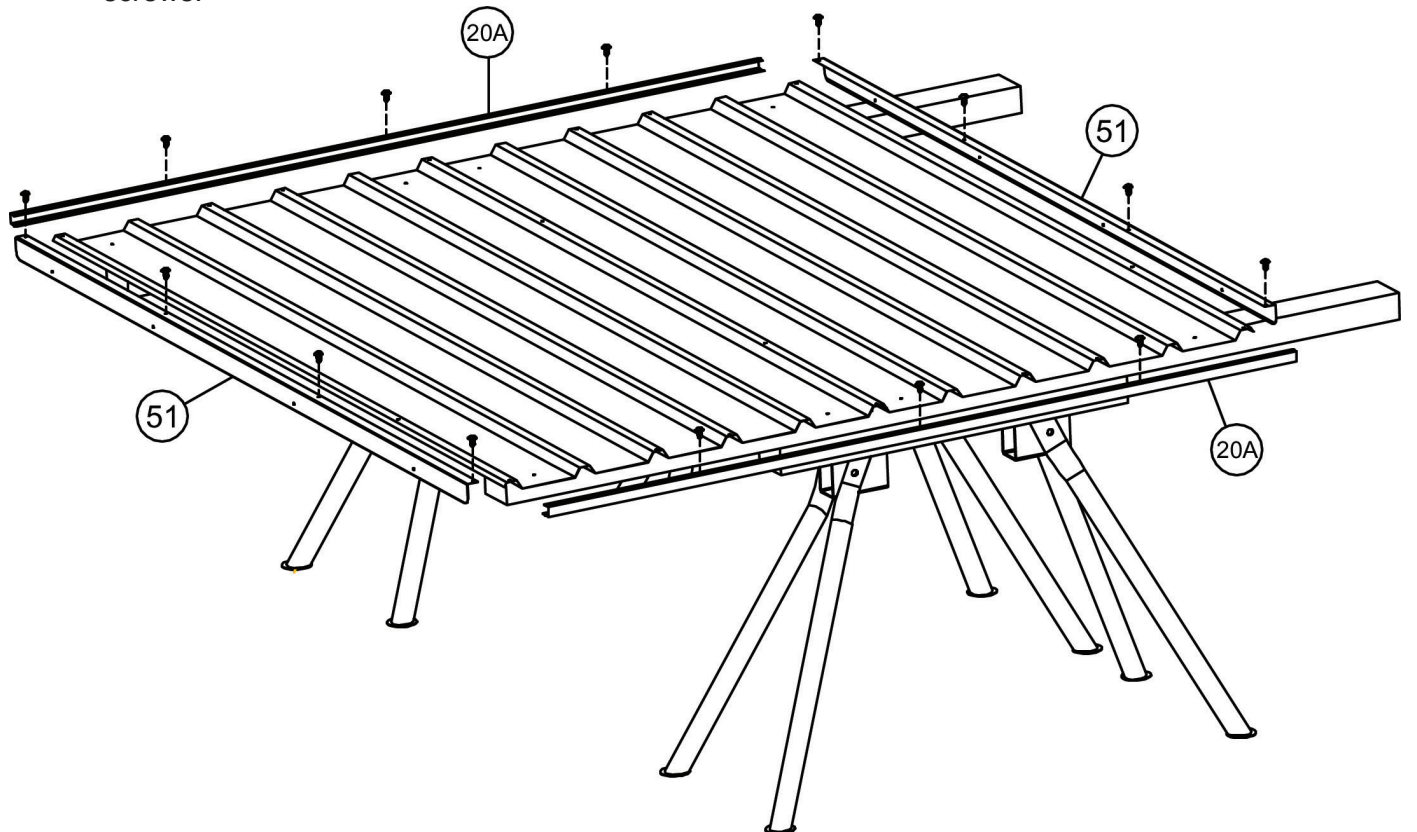


### 8.3. Assemble the roof panel.

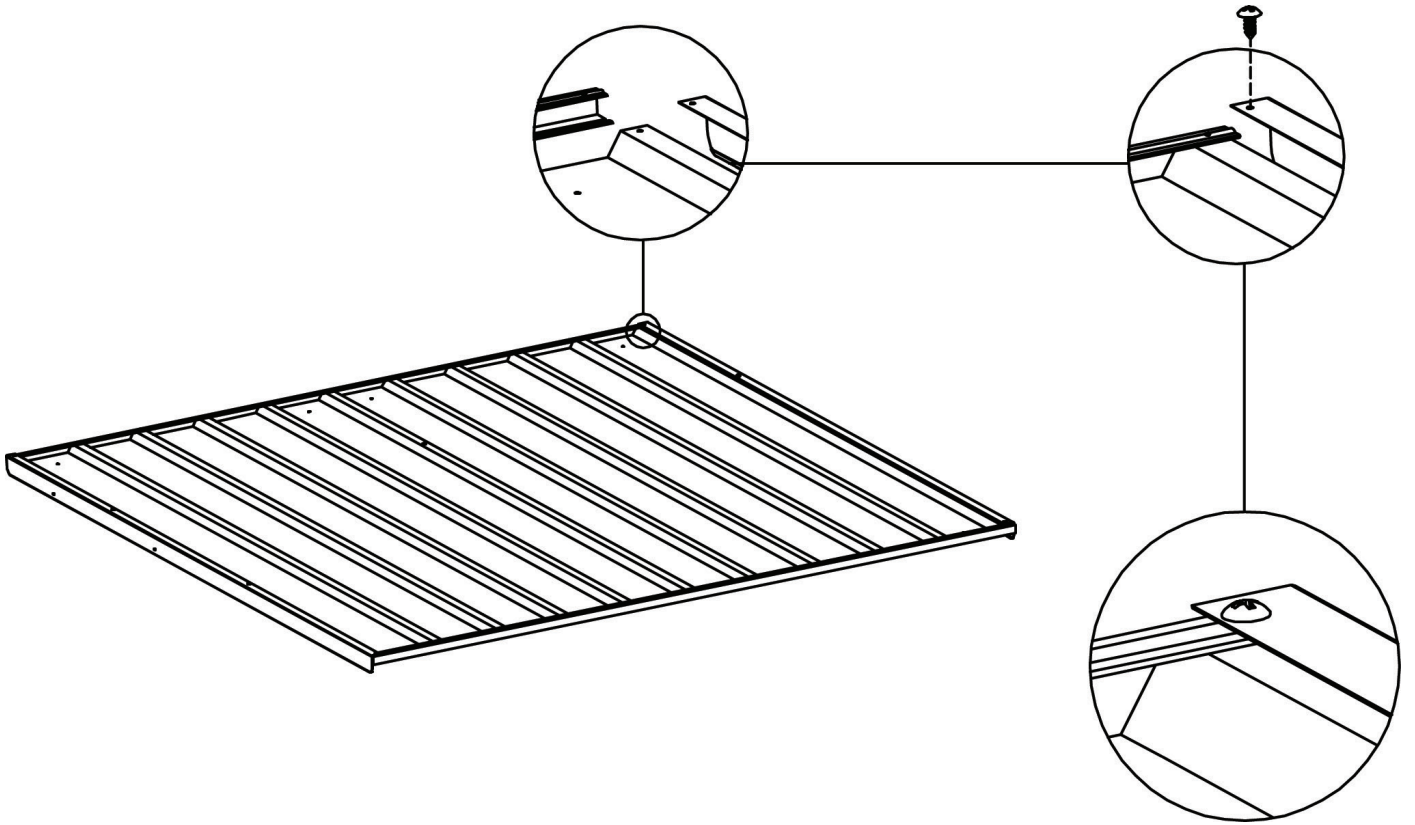
8.3.1. Place two 8 sheetings on the work table and join together with the self tapping screws as per the diagram.



8.3.2. Now tap or slide in 20A and 20A channels to the sheeting and fix them using the self tapping screws.



8.3.3. Now fit two 51 side lips to the sheeting and fix them using the self tapping screws.





## 8.4. Assemble the front wall panel and front door.

8.4.1. Place 4 sheeting on the work table. Fit 20D the top channel, 20E the bottom channel 41B the jamb (there are pre-drilled holes for the next step on both 4 and 41B and these must be aligned) and 33R the mid wall channel to the sheeting and fix them using the self tapping screws (not those with cross mark at this stage).

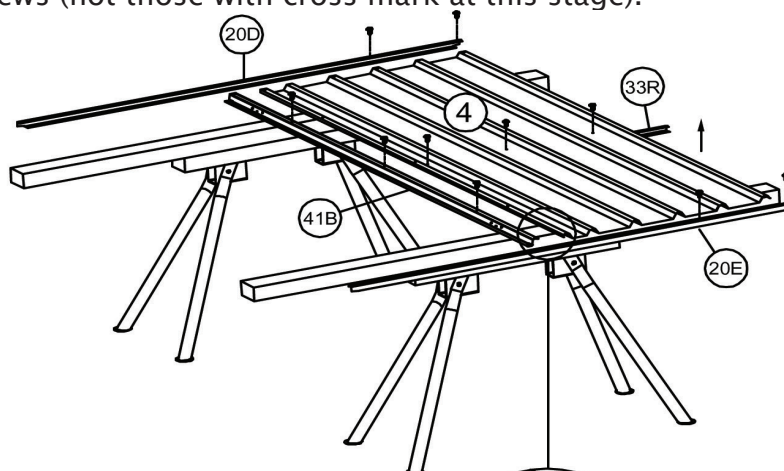


diagram A

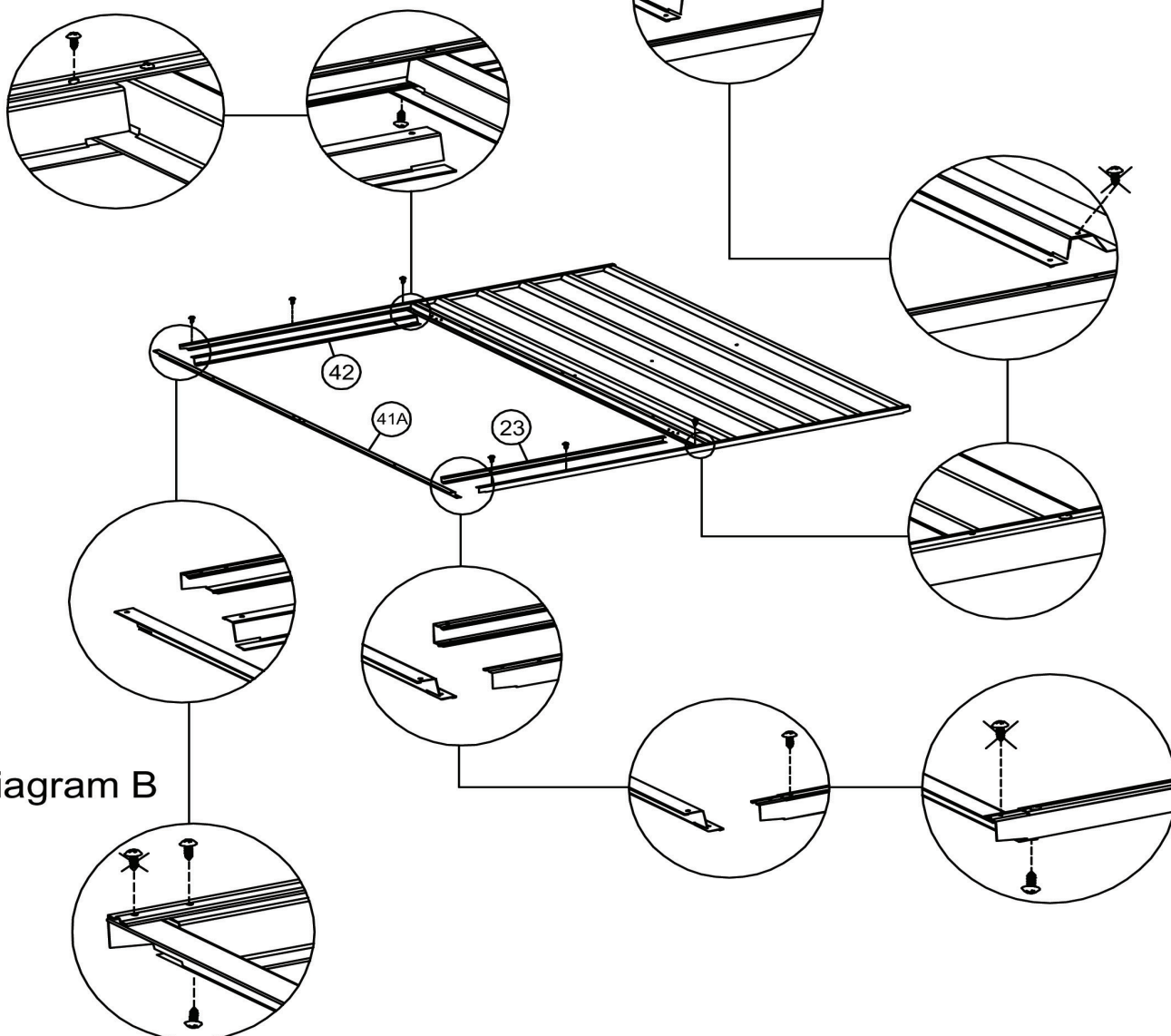


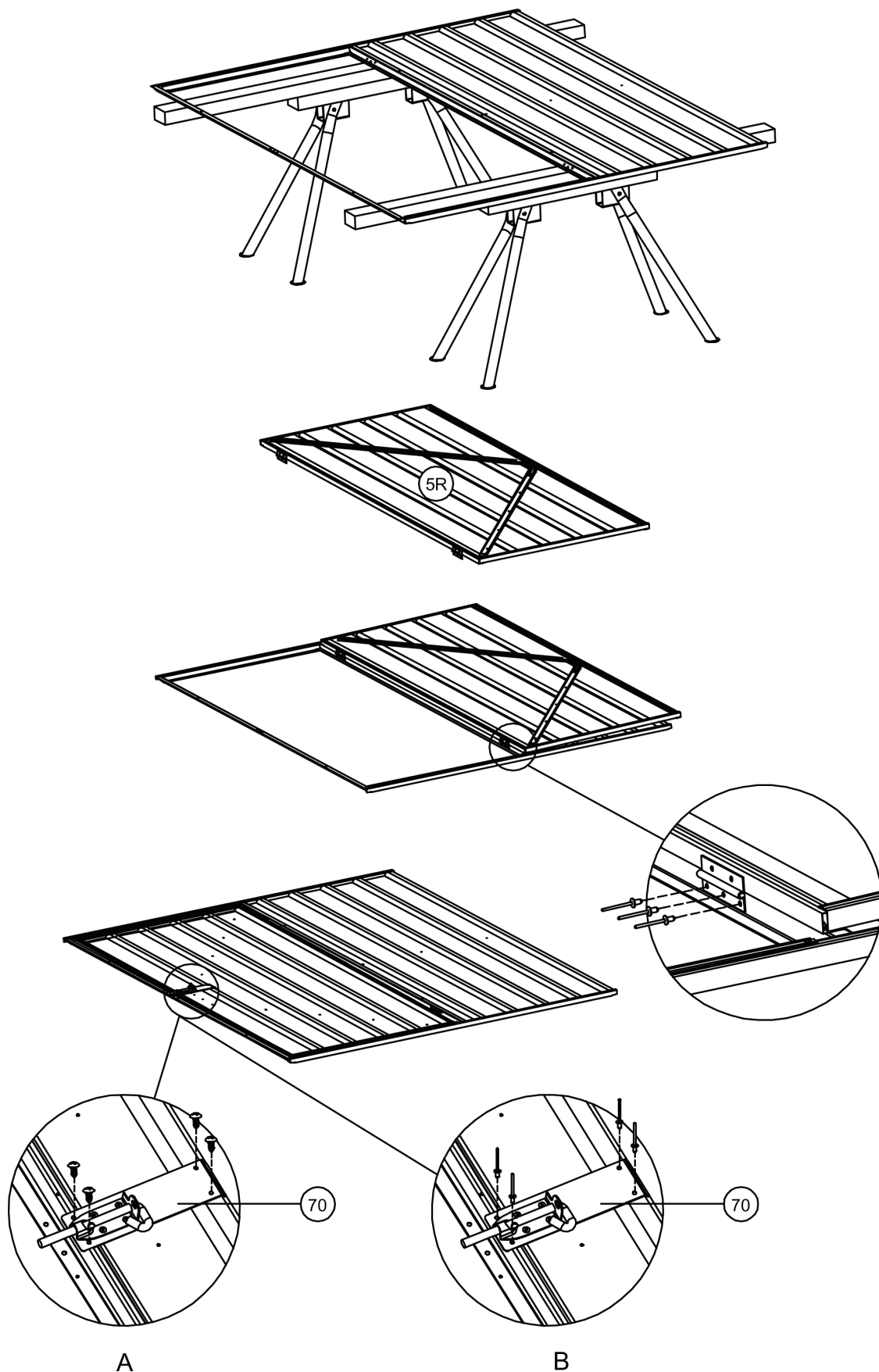
diagram B

8.4.2. Fit the 41A jamb, 42 jamb and 23 bottom channel in and fix them using the self tapping screws (not those with cross mark at this stage). Be aware of the joint details as per the diagrams). Diagram B is the same as diagram A.



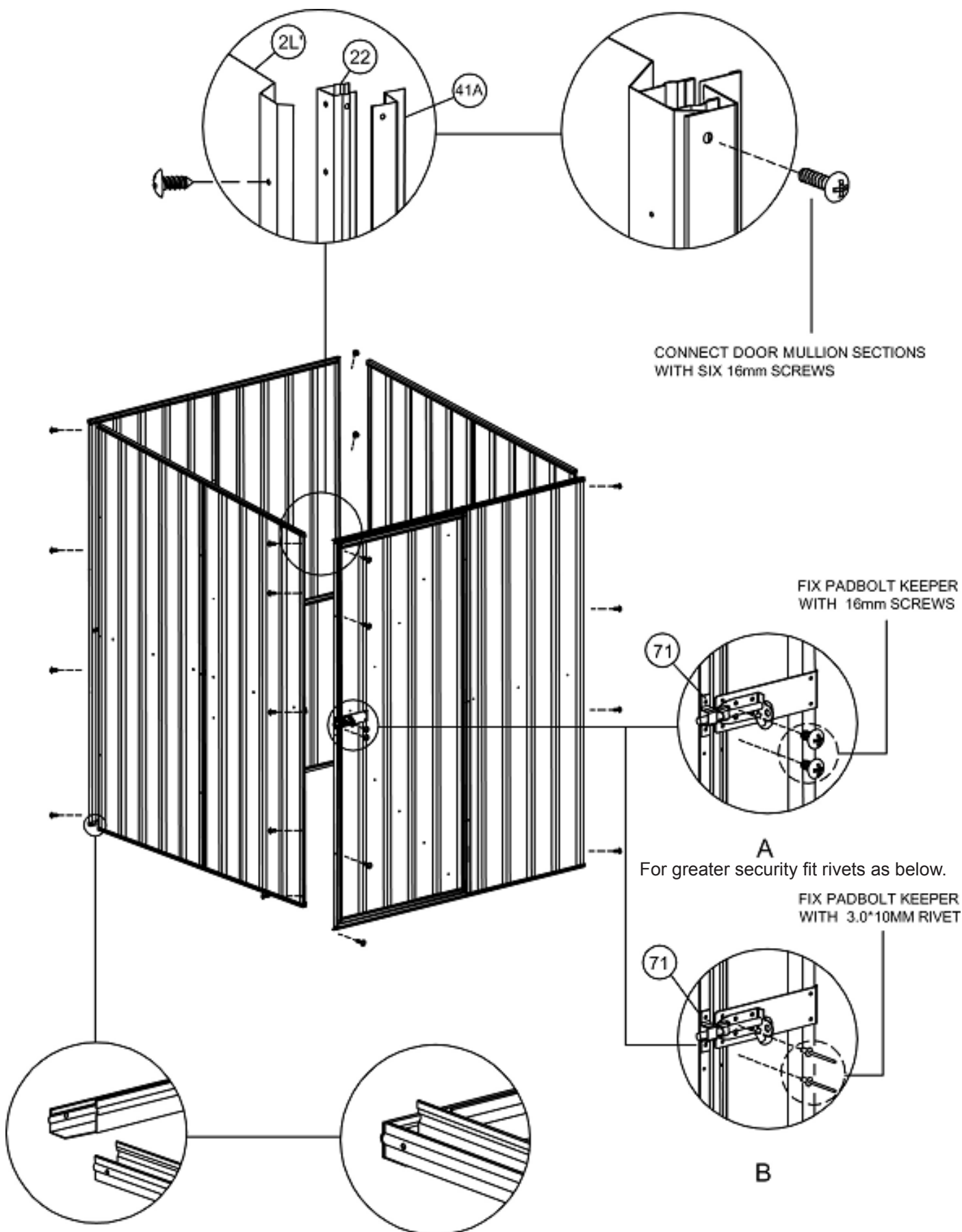
## 8.5. Assemble the front wall panel and front door.

8.5.1. Fit 5R pre-assembled door to the front wall panel as per the diagram. Use riveter to fix the door into the pre-drilled holes. Fix 70 pad bolt (but **NOT** its keeper in this stage) to the pre-drilled holes and rivet or use self tapping screws as required.

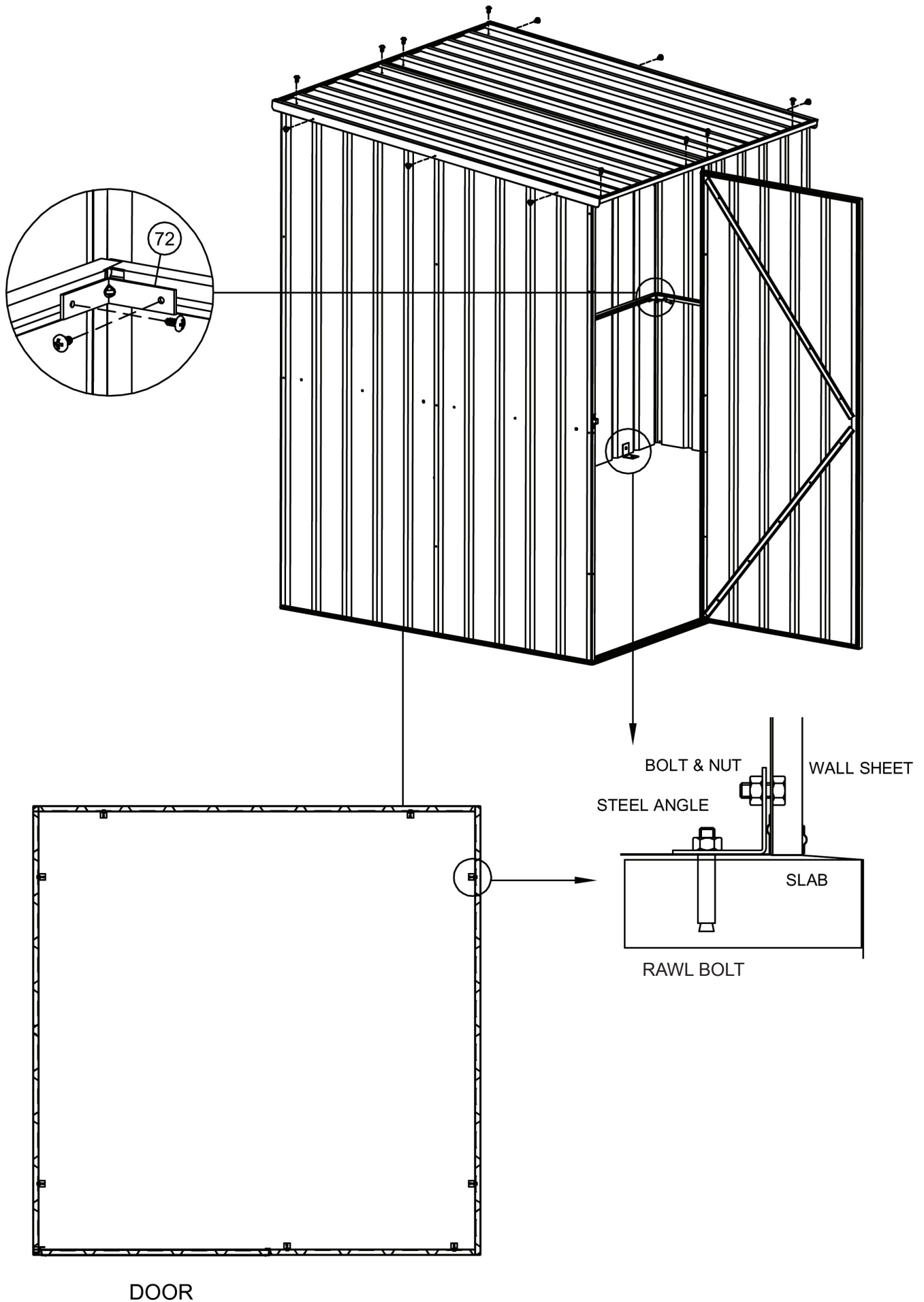


## 8.6. Fit the panels together.

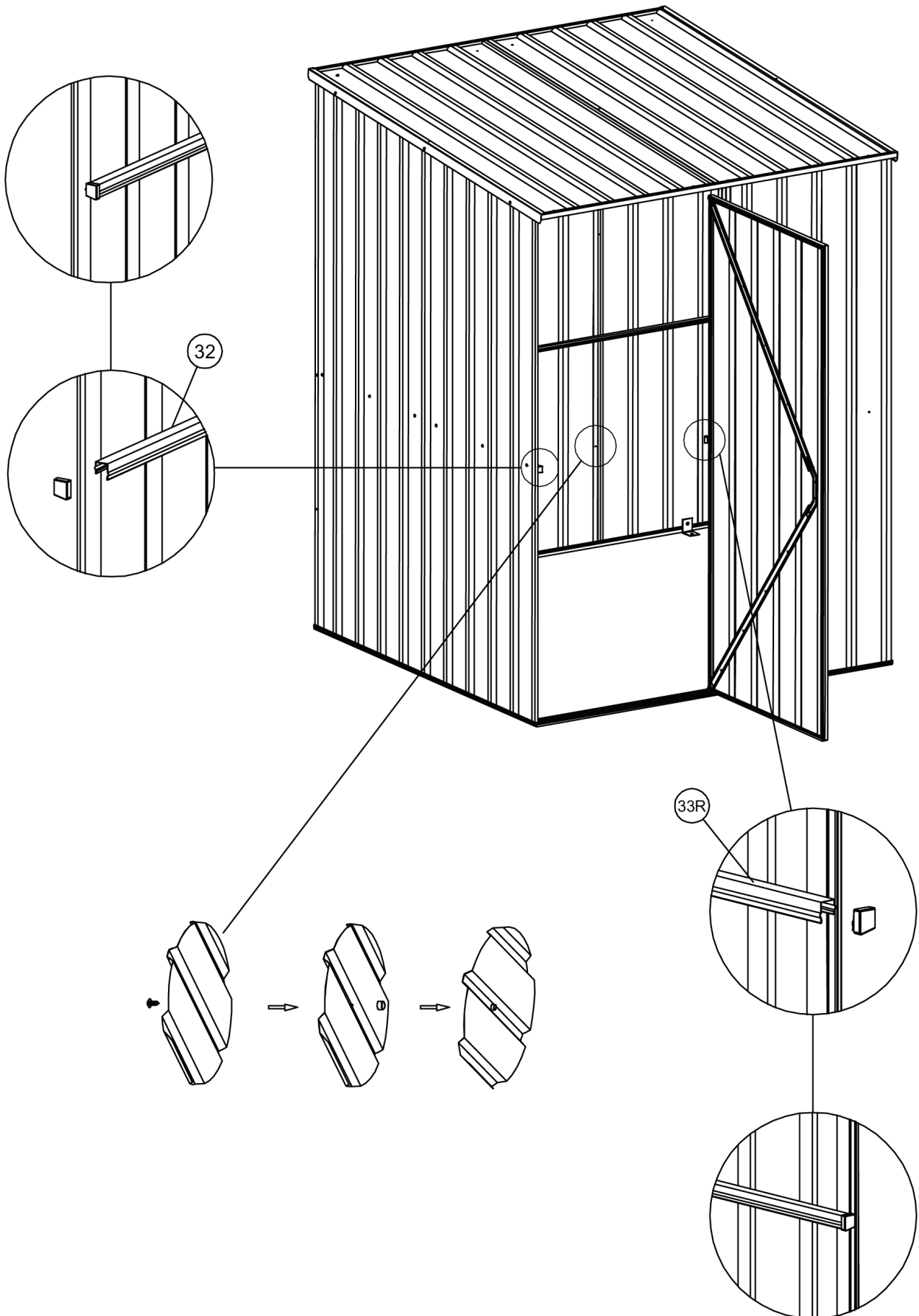
8.6.1. Attach the side walls to the back wall, then the front wall, then the roof. Fix all the components using the self tapping screws. Fix 71 pad bolt keeper with rivets or screws as required.



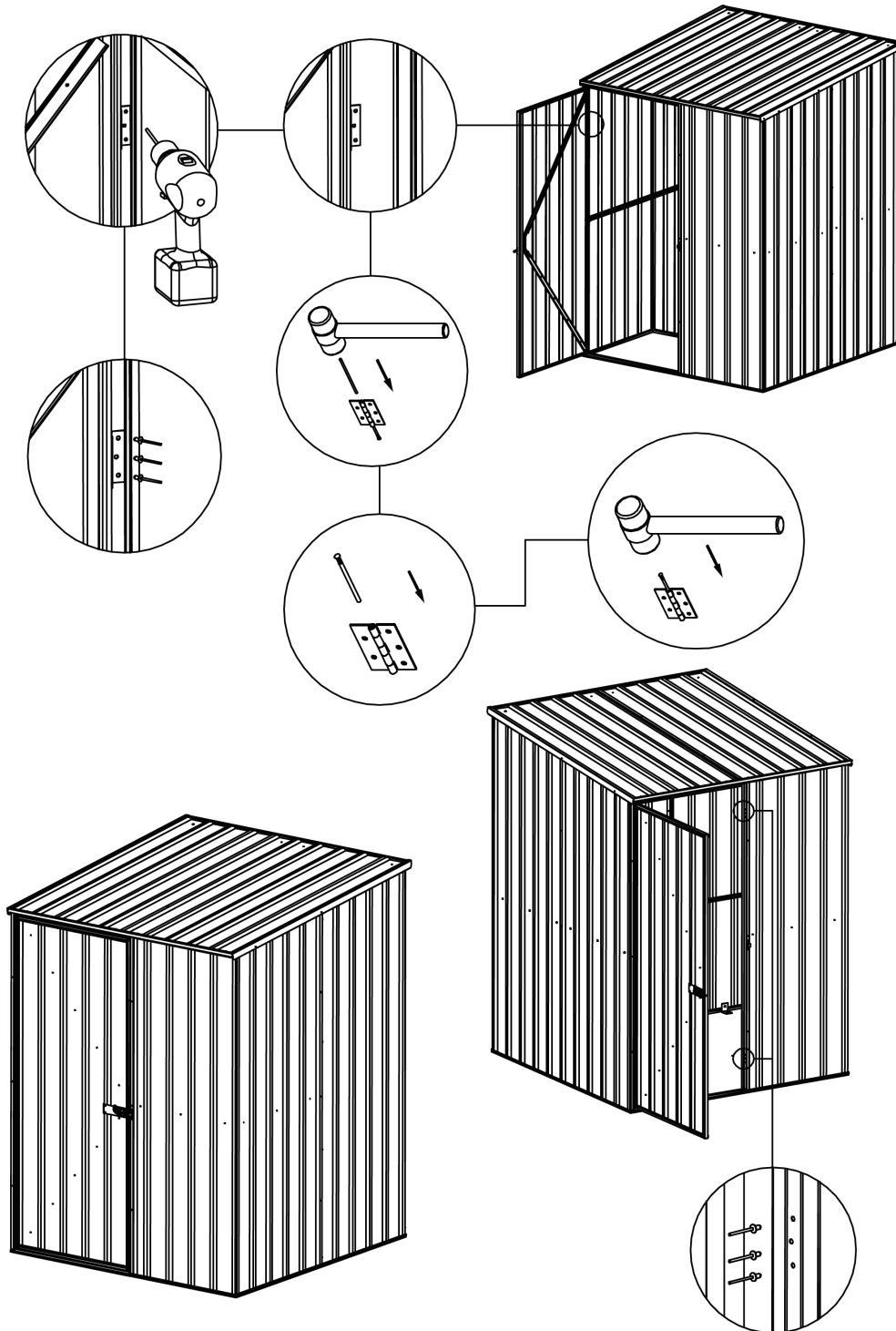
8.6.2. Now fit the bolt down kit as per the diagram. Strengthen the mid wall brace by applying 72 the mid wall brace bracket on each corner.



8.6.3. Apply channel safety cover **L** type on channel 32 and **R** type on channel 33R.  
Apply the self-tapper covers on the screws fixed on the wall to prevent accidental injuries.



8.6.4. If required, the door can be assembled on the opposite side. Align the door with the edge and drill new holes. Remove the pin from the hinge and reverse it before assembling the door. Fill the old pre-drilled holes with rivets if required. Perform the same procedure for the pad lock.



Parts support is available for this product. To obtain a parts listing and/or diagram, please log on to [www.sealey.co.uk](http://www.sealey.co.uk), email [sales@sealey.co.uk](mailto:sales@sealey.co.uk) or telephone 01284 757500.

**Environmental Protection**

Recycle unwanted materials instead of disposing of them as waste. All tools, accessories and packaging should be sorted, taken to a recycling centre and disposed of in a manner which is compatible with the environment. When the product becomes completely unserviceable and requires disposal, dispose of the product according to local regulations.

**NOTE:** It is our policy to continually improve products and as such we reserve the right to alter data, specifications and component parts without prior notice.

**IMPORTANT:** No liability is accepted for incorrect use of this product.

**WARRANTY:** Guarantee is 12 months from purchase date, proof of which will be required for any claim.

**INFORMATION:** For a copy of our latest catalogue and promotions call us on 01284 757525 and leave your full name and address, including postcode.



Sole UK Distributor, Sealey Group,  
Kempson Way, Suffolk Business Park,  
Bury St. Edmunds, Suffolk,  
IP32 7AR

01284 757500

[www.sealey.co.uk](http://www.sealey.co.uk)

01284 703534

[sales@sealey.co.uk](mailto:sales@sealey.co.uk)