



INSTRUCTIONS FOR

GALVANIZED STEEL FLOOR CABINET 5 SHELF EXTRA WIDE

MODEL NO: **GSC110385.V2**

Thank you for purchasing a Sealey product. Manufactured to a high standard, this product will, if used according to these instructions, and properly maintained, give you years of trouble free performance.

IMPORTANT: PLEASE READ THESE INSTRUCTIONS CAREFULLY. NOTE THE SAFE OPERATIONAL REQUIREMENTS, WARNINGS & CAUTIONS. USE THE PRODUCT CORRECTLY AND WITH CARE FOR THE PURPOSE FOR WHICH IT IS INTENDED. FAILURE TO DO SO MAY CAUSE DAMAGE AND/OR PERSONAL INJURY AND WILL INVALIDATE THE WARRANTY. KEEP THESE INSTRUCTIONS SAFE FOR FUTURE USE.



Refer to
instructions



Wear protective
gloves

1. SAFETY

- GENERAL SAFETY
- WARNING!** Ensure Health & Safety, local authority, and general workshop practice regulations are adhered to when using this cabinet.
- ✓ Locate cabinet in a suitable work area.
- ✓ Keep the work area clean, uncluttered and ensure there is adequate lighting.
- WARNING!** Use cabinet on level and solid ground, preferably concrete.
- ✓ Keep the cabinet clean and tidy in accordance with good workshop practice.
- ✓ Keep children and unauthorised persons away from the work area.
- * **DO NOT** use the cabinet for any purpose other than that for which it is designed.
- * **DO NOT** use the cabinet outdoors.
- * **DO NOT** place the cabinet in a damp or wet location or an area where there is condensation.
- * **DO NOT** clean the cabinet with any solvents which may damage the surfaces or the protective coating.
- * **DO NOT** move the cabinet when there are items placed inside.
- * **DO NOT** step on the shelves.
- * **DO NOT** overload the cabinet.

2. INTRODUCTION

Floor standing galvanized steel cabinet with lockable double doors. Fitted with five shelves, four of which are adjustable. Supplied with four keys. Ideal for factory, workshop or home use. Features two rear wiring grommets allowing power tool batteries and other devices to be charged whilst in storage. Floor cabinet is supplied flat packed and will need some simple assembly.

3. SPECIFICATION

Model No..... GSC110385.V2
Overall Size (W x D x H) 1100 x 410 x 1830mm
Shelf Size..... 1090 x 365 x 20mm
Shelves 5

4. ASSEMBLY

- 4.1. Unpack the unit and confirm that all the parts listed.
- 4.2. Assemble the unit on a solid level surface.
- 4.3. The assistance of a second person will be required.
- 4.4. To assemble the unit you will require a rubber mallet and a Phillips-head screwdriver.
- 4.5. Where practical fix unit to a wall for extra strength and durability.

Step 1

Insert and slide front base bracket (E1) and back base bracket (F1) into the bottom of left side panel (B1) and right side panel (B2) as per diagram above. Attach brackets using a self tapping screw (J) in each of the four corners as shown in the diagram (fig.1).

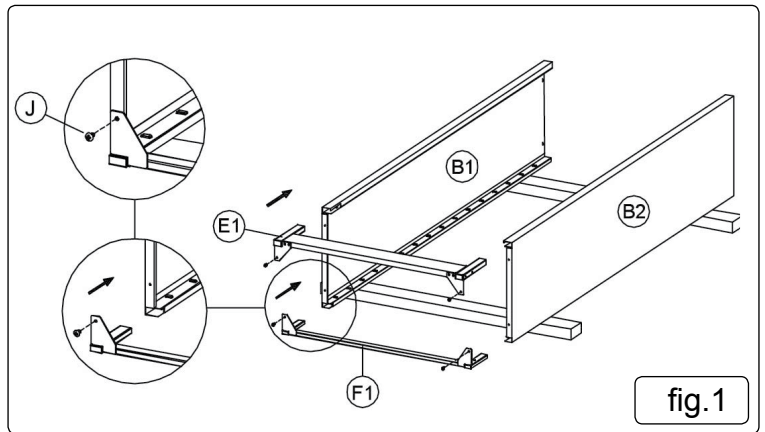


fig.1

Step 2

Stand unit upright and install the left back panel (C1) followed by the right back panel (C2). Fix the back panels with self tapping screws (J) as per the diagram (fig.2). At this stage, fix all screws except those marked with a cross. You will need an extra pair of hands to assist from the opposite side while you fix the screws.

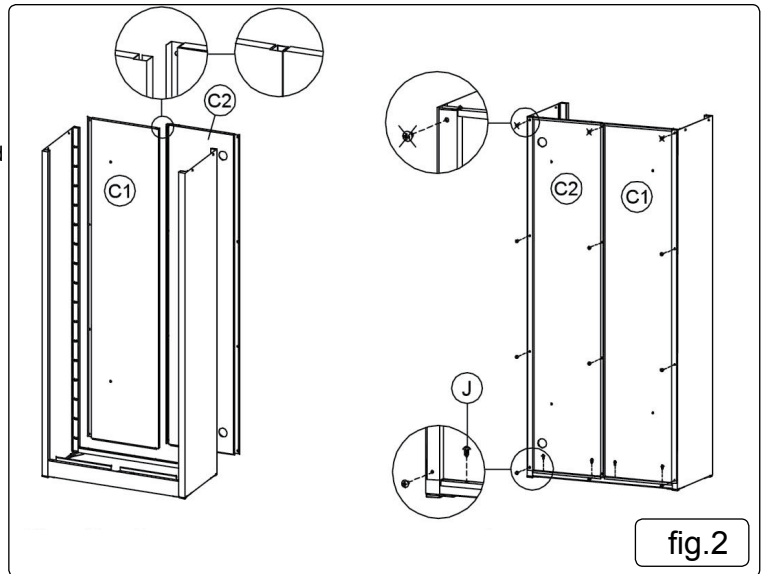


fig.2

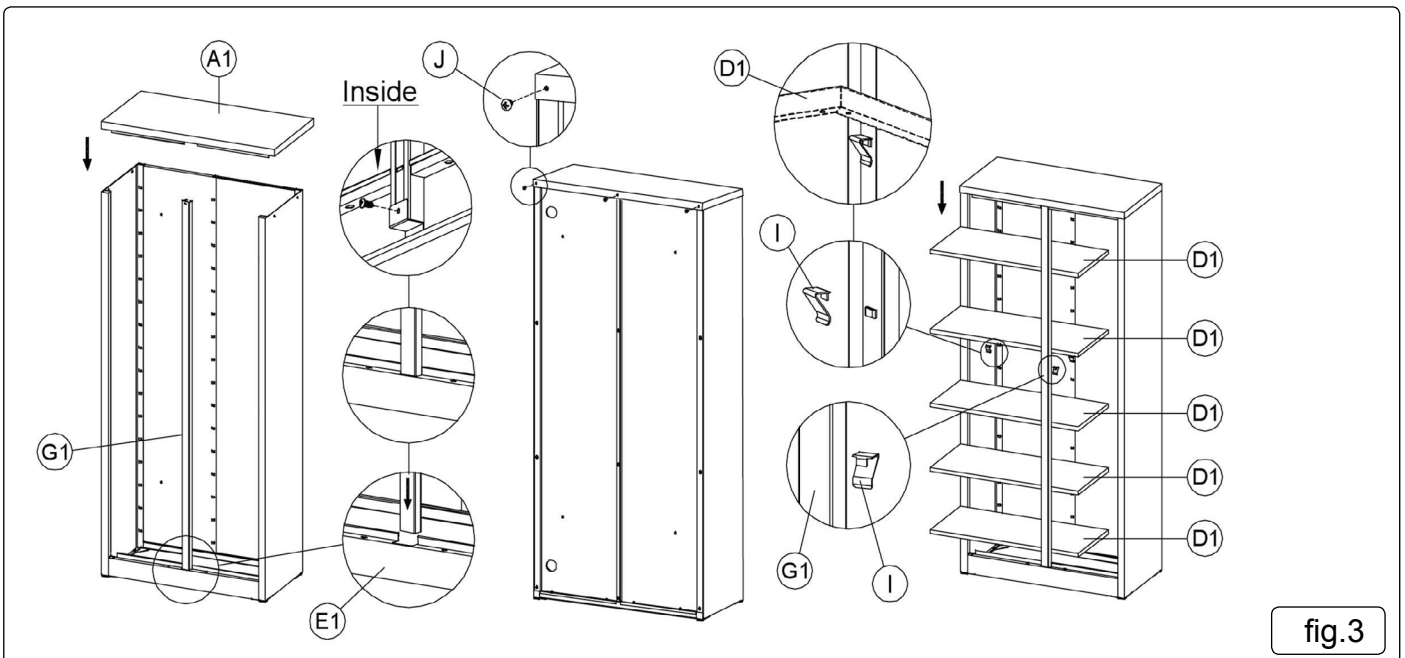


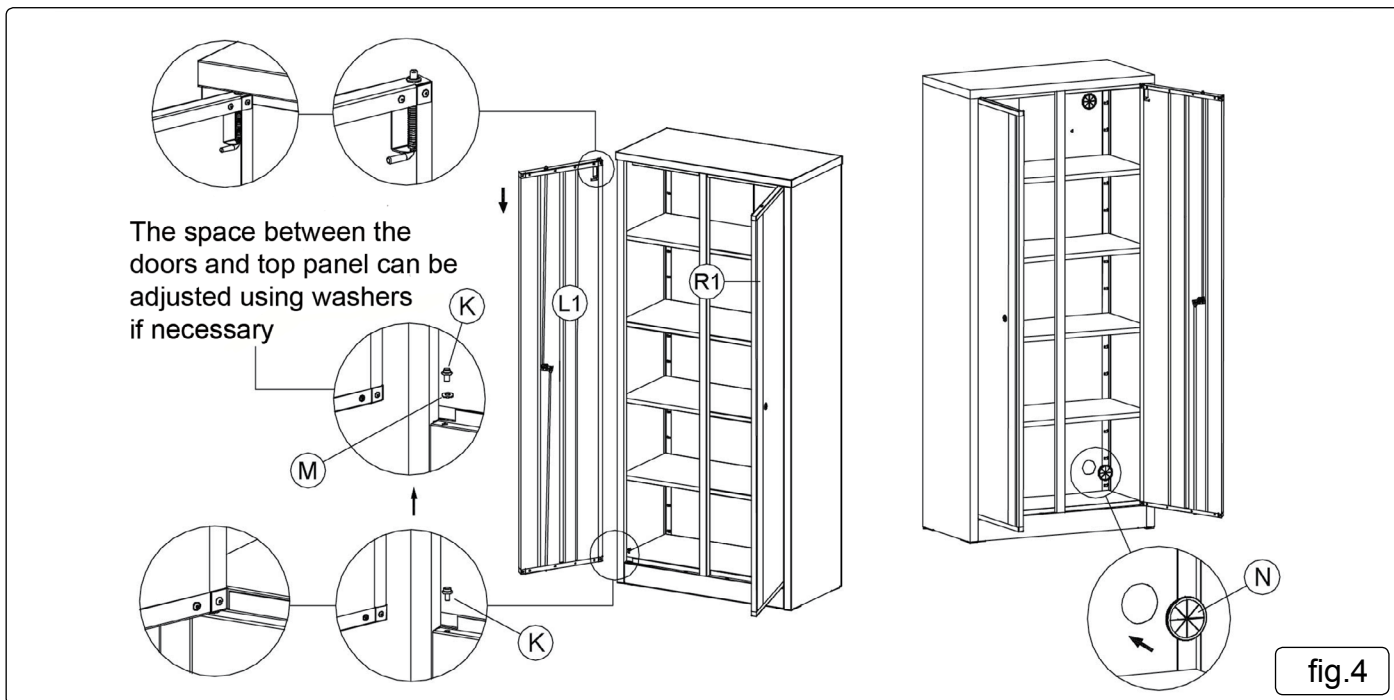
fig.3

Step 3.

Insert the middle column (G1) into the hole in the front base bracket (E1). Fix it using a self tapping screw (J) from the back. Install the top panel (A1) and fix it using self tapping screws (J) as per the diagram (fig4). Install shelf supports (I) in the middle column (G1) and in all four corners level for each designated height and then insert the shelves (D1).

Step 4.

Install the right door (R1) and left door (L1) using the bottom hinge pins (K) and latches on the top. The space between the doors and the top panel can be adjusted using washers (M) if necessary. Insert wiring grommets (N) into pre-cut holes in back panel.



Environmental Protection

Recycle unwanted materials instead of disposing of them as waste. All tools, accessories and packaging should be sorted, taken to a recycling centre and disposed of in a manner which is compatible with the environment. When the product becomes completely unserviceable and requires disposal, drain off any fluids (if applicable) into approved containers and dispose of the product and the fluids according to local regulations.

NOTE: It is our policy to continually improve products and as such we reserve the right to alter data, specifications and component parts without prior notice.

IMPORTANT: No liability is accepted for incorrect use of this product.

WARRANTY: Guarantee is 12 months from purchase date, proof of which will be required for any claim.



Sole UK Distributor, Sealey Group.
Kempson Way, Suffolk Business Park,
Bury St. Edmunds, Suffolk.
IP32 7AR



01284 757500



01284 703534



www.sealey.co.uk



sales@sealey.co.uk