



# CAMBER, CASTOR & KING-PIN GAUGE

MODEL NO: **GA450**

Thank you for purchasing a Sealey product. Manufactured to a high standard, this product will, if used according to these instructions, and properly maintained, give you years of trouble free performance.

**IMPORTANT:** PLEASE READ THESE INSTRUCTIONS CAREFULLY. NOTE THE SAFE OPERATIONAL REQUIREMENTS, WARNINGS & CAUTIONS. USE THE PRODUCT CORRECTLY AND WITH CARE FOR THE PURPOSE FOR WHICH IT IS INTENDED. FAILURE TO DO SO MAY CAUSE DAMAGE AND/OR PERSONAL INJURY AND WILL INVALIDATE THE WARRANTY. KEEP THESE INSTRUCTIONS SAFE FOR FUTURE USE.



Refer to instructions



Wear protective gloves

## 1. SAFETY

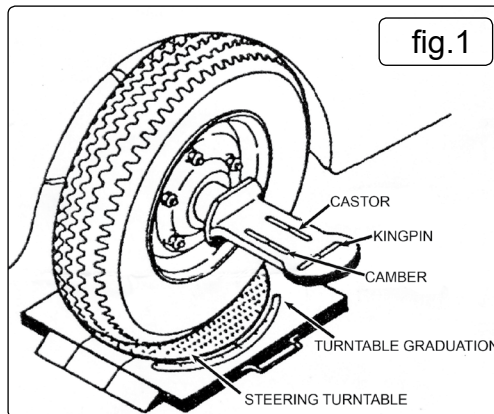
- WARNING!** Ensure Health & Safety, local authority, and general workshop practice regulations are adhered to when using this equipment.
- ✓ Maintain the gauge in good condition (use an authorised service agent).
- ✓ Replace or repair damaged parts.
- WARNING!** Use the gauge on level and solid ground.
- ✗ **DO NOT** allow untrained persons to use the gauge.
- WARNING!** When setting front-end alignment on commercial vehicles never make adjustments to drop arms or interconnecting links. Doing so could result in serious tyre, wheel and steering problems.
- ✓ Any alignment changes deemed necessary as a result of using this equipment must be made strictly in accordance with the vehicle manufacturer's recommendations.
- WARNING!** The warnings, cautions and instructions referred to in this manual cannot cover all possible conditions and situations that may occur. It must be understood that common sense and caution are factors which cannot be built into this product, but must be applied by the operator.

## 2. INTRODUCTION

Robust magnetic gauge mounts onto wheel/hub for quick accurate measurement of camber, castor angle, and kingpin inclination.  
 Camber gauge with fixed graduation from +5° to -5°.  
 Adjustable caster gauge graduated +11° to -3°.  
 Kingpin gauge graduated from 0° to 14° left to right.  
 Only suitable for vehicles fitted with steel wheels.  
 To be used in conjunction with steering turntables and rear wheel level plates.  
 Supplied in tough composite carry-case.

## 3. SPECIFICATION

Camber Gauge Graduation: ..... +5° to -5°  
 Castor Gauge Graduation: ..... +11° to -3°  
 King Pin Gauge Graduation: ..... 0° to 14°  
 Magnetic Plate Ø: ..... 85mm



## 4. OPERATION

### 4.1. MEASURING CAMBER ANGLE

**NOTE!** Before use remove magnet protective plate. Replace after use.

4.1.1. Drive vehicle forwards to centralise wheels.

4.1.2. Fit gauge in centre of vehicle wheel/hub.

4.1.3. Set D bubble to centre and read the position of A bubble.

**NOTE!** Refer to the owner's handbook before making any adjustments.

**NOTE!** Any adjustments you make to either castor or camber angles may affect the other, so re-check all measurements after any adjustments have been made.

**NOTE!** Try to simulate normal running conditions, ie. half a tank of fuel and a weight similar to the driver in the front seat.

### 4.2. MEASURING THE CASTOR ANGLE

4.2.1. Drive vehicle forward so front wheels are positioned on steering turntables in the straight ahead position, rear wheels on level plates.

4.2.2. Turn the front wheel to 20° out.

4.2.3. Fit gauge in centre of wheel/hub and set D bubble to centre.

4.2.4. Set B bubble to 0° with adjusting screw and turn the front wheel to 20° in.

4.2.5. Set D bubble to centre again and read the scale of B bubble.

**NOTE!** Refer to the owner's handbook before making any adjustments.

**NOTE!** Any adjustments you make to either castor or camber angles may affect the other, so re-check all measurements after any adjustments have been made.

We recommend the use of turntables Model No. GA44 when checking the caster as this will enable you to accurately set the wheels at 20°.

### 4.3. MEASURING THE KINGPIN INCLINATION

4.4. Drive vehicle forward so front wheels are positioned on steering turntables in the straight ahead position, rear wheels on level plates.

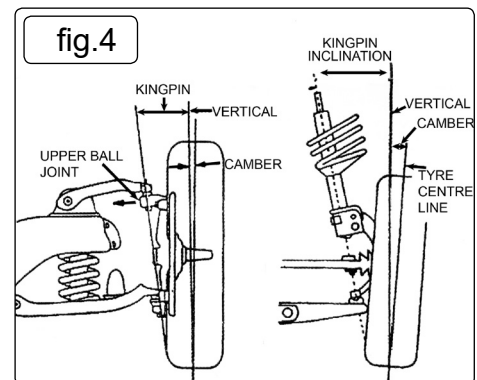
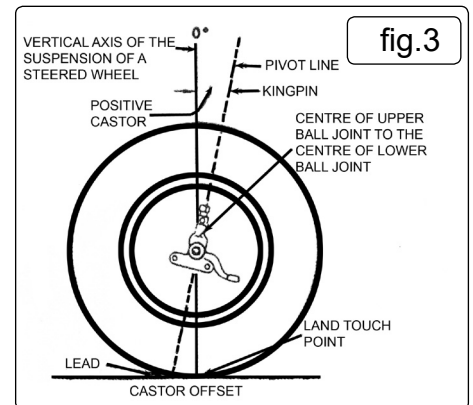
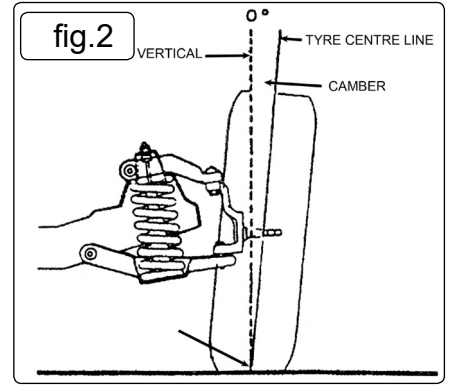
4.5. Turn the front wheel to 20° out.

4.6. Fit gauge in centre of wheel/hub and set D bubble to centre.

4.7. Set C bubble to 0° with adjusting screw and turn the front wheel to 20° in.

4.8. Read scale of C bubble.

**NOTE!** Refer to the owner's handbook before making any adjustments.



### ENVIRONMENT PROTECTION

Recycle unwanted materials instead of disposing of them as waste. All tools, accessories and packaging should be sorted, taken to a recycling centre and disposed of in a manner which is compatible with the environment. When the product becomes completely unserviceable and requires disposal, drain any fluids (if applicable) into approved containers and dispose of the product and fluids according to local regulations.

**Note:** It is our policy to continually improve products and as such we reserve the right to alter data, specifications and component parts without prior notice.

**Important:** No Liability is accepted for incorrect use of this product.

**Warranty:** Guarantee is 12 months from purchase date, proof of which is required for any claim.

Sealey Group, Kempson Way, Suffolk Business Park, Bury St Edmunds, Suffolk. IP32 7AR



01284 757500



01284 703534



sales@sealey.co.uk



www.sealey.co.uk