

Thank you for purchasing a Sealey product. Manufactured to a high standard, this product will, if used according to these instructions, and properly maintained, give you years of trouble free performance.

**IMPORTANT:** PLEASE READ THESE INSTRUCTIONS CAREFULLY. NOTE THE SAFE OPERATIONAL REQUIREMENTS, WARNINGS & CAUTIONS. USE THE PRODUCT CORRECTLY AND WITH CARE FOR THE PURPOSE FOR WHICH IT IS INTENDED. FAILURE TO DO SO MAY CAUSE DAMAGE AND/OR PERSONAL INJURY AND WILL INVALIDATE THE WARRANTY. KEEP THESE INSTRUCTIONS SAFE FOR FUTURE USE.



Refer to instruction manual

### 1. SAFETY

- ❑ **WARNING!** Ensure Health & Safety, local authority, and general workshop practice regulations are adhered to when using this equipment.
- ✓ Maintain the gauge in good condition (use an authorised service agent).
- ✓ Replace or repair damaged parts. Use genuine parts only. Unauthorised parts may be dangerous and will invalidate the warranty.
- ✓ Locate gauge in a suitable working area, keep area clean and tidy and free from unrelated materials.
- ❑ **WARNING!** Use gauge on level and solid ground.
- ✓ Keep the gauge clean to ensure accurate performance.
- ✗ **DO NOT** use outside in damp or wet weather conditions.
- ✗ **DO NOT** allow untrained persons to operate the gauge.
- ✗ **DO NOT** leave the gauge unattended.
- ❑ **WARNING!** When setting front end alignment on commercial vehicles never make adjustments to drop arms or interconnecting links. Doing so could result in serious tyre, wheel and steering problems.
- ✓ Any alignment changes deemed necessary as a result of using this equipment must be made strictly in accordance with the vehicle manufacturer's recommendations.

### 2. INTRODUCTION

Steel and cast aluminium construction. Measures toe-in and toe-out by contact with wheel rims and using optical sight to align markers. Works on practically all cars and light commercial vehicles with rim diameters between 200mm and 600mm.

### 3. ASSEMBLY

- 3.1. The gauge has been supplied in flat pack form for quick and easy assembly.
- 3.2. Take each ready assembled side frame in turn and slide on the balance leg (fig.1.8). Slide the balance leg back onto the alignment peg and tighten the thumbscrew.
- 3.3. Place the two frames opposite each other with each extended bar portion positioned to the right hand side. The frame nearest to you is the one to which the periscope (fig.1.3.) unit should be attached.
- 3.4. Place the periscope unit onto the tube and slide it to the left until it stops against the end of the tube. Tighten the two thumb screws on the back of the unit to secure it to the main bar. Attach the target plate (fig.1.4.) to the periscope using the screws supplied.
- 3.5. Slip the mirror unit (fig.1.2.) onto the main bar of the other frame and tighten the thumb screw to secure it.
- 3.6. Attach a contact bar (fig.1.1.) to each of the upright arms. Firstly loosen the thumb screw on the contact bar holder and place through the upright arm. Slide the square portion of a contact bar through the holder, tighten the thumbscrew to secure.
- 3.7. Each contact bar may be fitted either to the left or the right of its respective support arm. This is to allow the gauge to handle all tyres on 8" to 24" diameter rims and to allow close contact when required e.g. when in use on a vehicle lift.

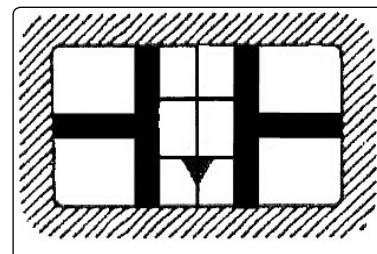
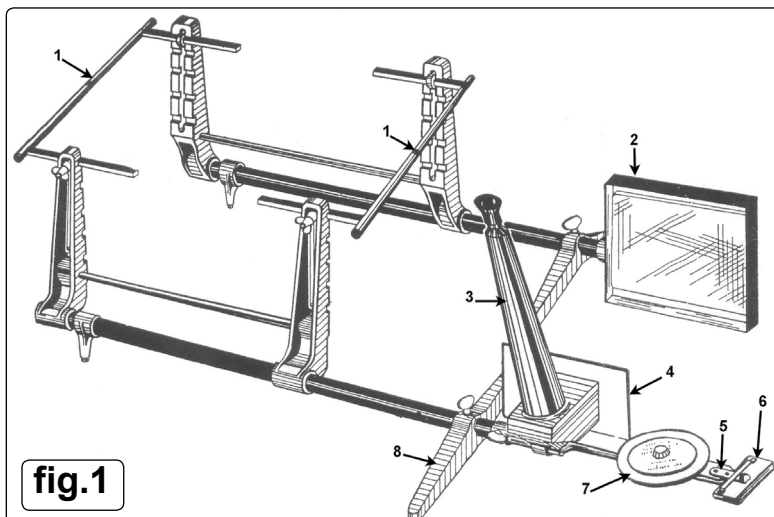


fig.2

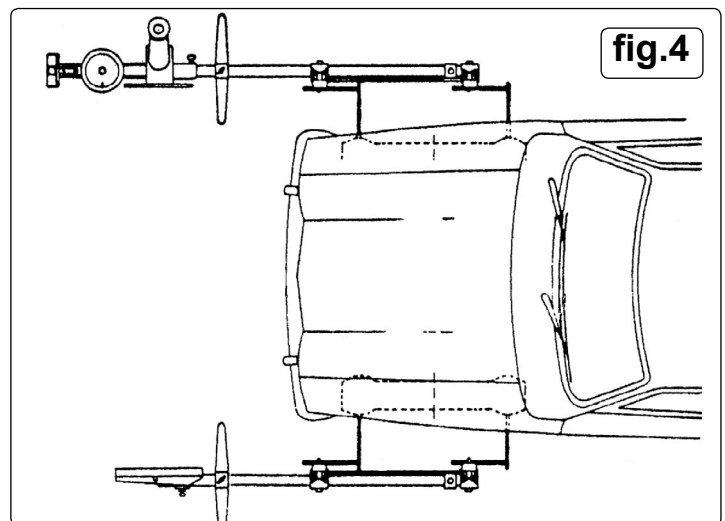
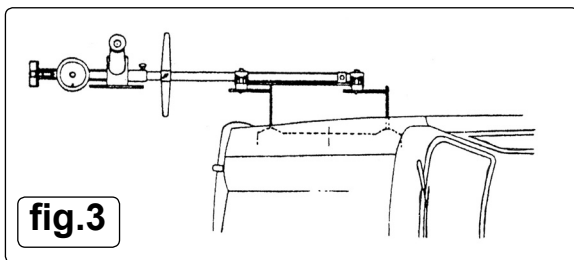
## 4. CALIBRATION

- 4.1. The gauge will be calibrated each time it is used as part of the process of checking wheel alignment. Calibration will be done with two halves of the gauge facing each other with the contact bars touching.
- 4.2. Stand the complete gauge on a level, clean floor with contact bars touching as in fig.1.
- 4.3. Adjust the mirror and periscope until the reflection of the target plate (fig.1.4.) is visible through the periscope.
- 4.4. Sighting through the periscope move the pointer (fig.1.5.) until the image reflects the hair line in the centre of the triangle between the vertical lines as in (fig.2.).
- 4.5. The pointer should now be at zero on the graduated scale (fig.1.6.). If not slacken the two wing nuts holding the scale, adjust the scale to zero and tighten the wing nuts. The gauge is now ready for use.

## 5. OPERATION: CARS & VANS

**NOTE:** Prior to use check vehicle manufacturer's recommendations relating to loading. Check that tyre pressures are correct.

- 4.1. Ensure that the vehicle is on a smooth level surface with the wheels pointing straight ahead. Do not back the vehicle into position.
- 4.2. Position the periscope unit against the offside front wheel (see fig.3 ) and adjust the height of the contact bars by fixing them in which ever of the five preset positions is closest to a horizontal line through the centre of the wheel. At the same time adjust the side to side positioning of the contact bars so that they touch the sidewall of the tyre either side of the rim. Position the tips of the contact bars to touch the centre of the sidewalls at the greatest point of curvature. Avoid any ribs or raised lettering on the tyre side wall.
- 5.1. The contact bars of the mirror unit should now be set up to the same height and width as the periscope unit. To do this remove the periscope unit from its position on the tyre and place it in front of the mirror unit to make the necessary adjustments.
- 5.2. When the contact bar arrangements on both units match, proceed to calibrate the gauge.  
(see Calibration section 4)
- 5.3. Set up both units as in (fig.4.). Looking through the periscope adjust the pointer until the hair line bisects the triangle between the two vertical lines.(fig.2.) The amount of toe-in or toe-out can now be read from the scale (fig.1.6.) in degrees and minutes.
- 5.4. To allow for any possible lateral run out of the wheels and tyres the vehicle should be moved forward until the wheels have rotated half a revolution (180°) and the operation repeated. If a different reading is obtained the two results should be averaged.
- 5.5. The calculator (fig.1.7.) allows conversion of the angle obtained to a linear measurement in millimetres or fractions of an inch (Linear toe in or toe out). Set the large arrow on the top dial to the specified width on the bottom dial. The specified width may either be the nominal wheel diameter or a dimension equivalent to a diameter to the tyre sidewall e.g. mid sidewall (or in accordance with the measuring position figures in the appropriate workshop manual or handbook). Read the linear toe reading from the bottom dial, opposite the angular toe reading from the top dial.
- 5.6. **Any alignment necessary must be made strictly in accordance with the vehicle manufacturer's recommendations.**

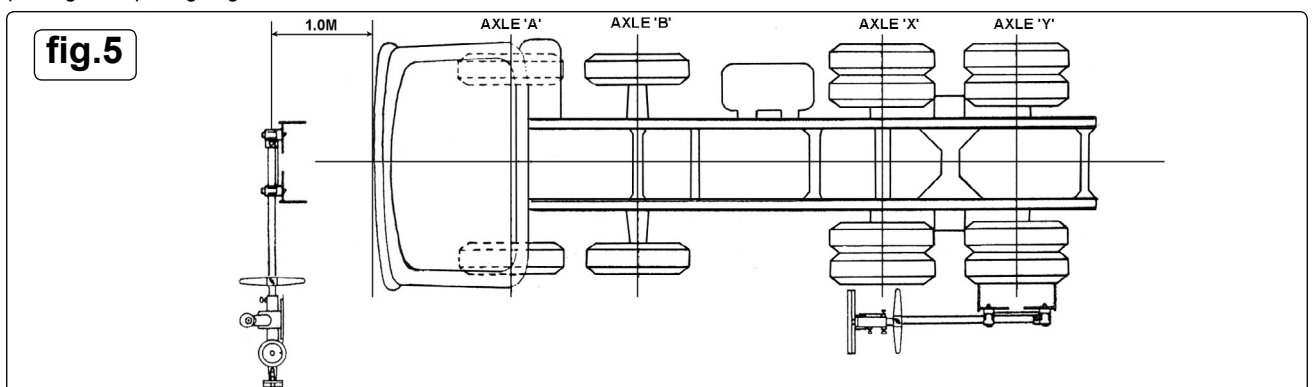


## 6. OPERATION: COMMERCIALS

**NOTE:** The gauge is also designed to check wheel alignment on two, three or four axle vehicles. Before using the gauge, the vehicle manufacturer's recommendations in respect of loading, tyre pressures etc must be complied with. In the absence of definite instructions, it is normal practice to check commercial vehicles when fully laden and with all wheels parallel.

**When setting front end alignment, never make adjustments to drop arms or interconnecting links. Doing so could result in serious tyre, wheel and steering problems.**

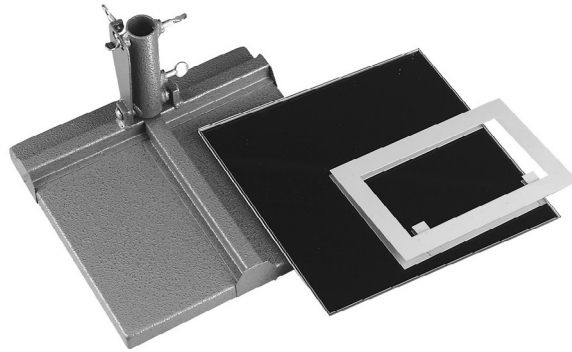
- 6.1. **Single Steering Axle:** Procedure is the same as for cars and vans.
- 6.2. **Twin Steering Axles :** When checking wheel alignment on twin steering vehicles you will also need to use the optional equipment package comprising larger mirror and frame. Order Item: GA43





Optional equipment consisting of a larger size mirror and a target plate enlargement frame.

Order Item: **GA43**



#### ENVIRONMENT PROTECTION

Recycle unwanted materials instead of disposing of them as waste. All tools, accessories and packaging should be sorted, taken to a recycling centre and disposed of in a manner which is compatible with the environment. When the product becomes completely unserviceable and requires disposal, drain any fluids (if applicable) into approved containers and dispose of the product and fluids according to local regulations.

**Note:** It is our policy to continually improve products and as such we reserve the right to alter data, specifications and component parts without prior notice.

**Important:** No Liability is accepted for incorrect use of this product.

**Warranty:** Guarantee is 12 months from purchase date, proof of which is required for any claim.

Sealey Group, Kempson Way, Suffolk Business Park, Bury St Edmunds, Suffolk. IP32 7AR



01284 757500



01284 703534



sales@sealey.co.uk



www.sealey.co.uk