



INSTRUCTIONS FOR FRONT HEADSTOCK STAND

MODEL NO: **FPS5.V2**

Thank you for purchasing a Sealey product. Manufactured to a high standard, this product will, if used according to these instructions, and properly maintained, give you years of trouble free performance.

IMPORTANT: PLEASE READ THESE INSTRUCTIONS CAREFULLY. NOTE THE SAFE OPERATIONAL REQUIREMENTS, WARNINGS & CAUTIONS. USE THE PRODUCT CORRECTLY AND WITH CARE FOR THE PURPOSE FOR WHICH IT IS INTENDED. FAILURE TO DO SO MAY CAUSE DAMAGE AND/OR PERSONAL INJURY AND WILL INVALIDATE THE WARRANTY. KEEP THESE INSTRUCTIONS SAFE FOR FUTURE USE.



Refer to
instruction
manual



Wear protective
gloves

1. SAFETY

- WARNING!** Before use, ensure that there is nothing attached to the front forks, the fairing, or the rear end of the motorcycle, that will foul the stand.
- DO NOT** mount the stand on tarmac/adam, as the surface may be unstable.
- DO NOT** start the motorcycle when mounted on the stand.
- DO NOT** sit on the motorcycle when mounted on the stand.
- DO NOT** use the stand for a purpose it is not designed to perform.
- DO NOT** operate the stand if it is damaged or parts are missing.
- DO NOT** use the stand when you are tired or under the influence of alcohol, drugs or intoxicating medication.
- DO NOT** allow untrained persons to operate the stand.
- DO NOT** make any modifications to the stand.
- DO NOT** operate the stand if parts are missing or damaged.
- Maintain the stand in a good clean condition for the best and safest performance.
- Locate the stand and motorcycle in a suitable area. Keep area clean, tidy and free from unrelated materials and ensure that there is adequate lighting. Also ensure that the floor/ground is level and strong enough (preferably concrete) to take the weight of the stand and the motorcycle.
- Maintain correct balance and footing whilst positioning the motorcycle on the stand, **DO NOT** over reach.
- Ensure that the floor is not slippery, wear non-slip footwear.
- Keep children and unauthorised persons away from the work area.
- Before loading or removing a motorcycle to/from the stand, ensure that there are no obstructions or persons around the motorcycle.
- Always support bike to prevent falling.
- Although the stand can be operated by one person, we advise seeking the assistance of a second person when mounting / dismounting the stand.
- Always use in conjunction with another suitable rear stand to ensure full stability.
- When not in use, store in a safe, dry, childproof location.
- WARNING:** The warnings, cautions and instructions in this manual cannot cover all possible conditions and situations that may occur. It must be understood that common sense and caution are factors which cannot be built into this product, but must be applied by the operator.

2. INTRODUCTION

Strong tubular frame supplied with a range of pins to fit the most common headstock sizes. Once in place, access to all mechanical components at the front of the bike is made easy. Stand folds down for compact storage when not in use.

3. SPECIFICATION

Model No:	FPS5
Headstock Height	830-925mm
Headstock Pin sizes	13,15,16.5,17,18mm

4. ASSEMBLY

- 4.1. Refer to Parts List diagram.
- 4.2. Ensure all fixings are correctly tightened and that frame members are securely fitted.
- 4.3. Ensure all parts are present and in good order. **DO NOT** use parts other than those supplied.

5. OPERATION

5.1. MOUNTING HEADSTOCK PINS.

- 5.1.1. Fix shaft (fig.1F) firmly into head using M8 capscrew. (fig.1E).
- 5.1.2. Select relevant headstock pin pack (fig.1G) to suit bike headstock diameter. Ensure full engagement of pin pack to headstock.

5.2. ADJUSTING THE HEIGHT OF HEADSTOCK LOCATING PIN.

- 5.2.1. The upper frame of the stand (fig.1A) can be height-adjusted by means of four different locking positions on lower frame arms (fig.1B).
- 5.2.2. Remove the 'R' clips from the upper frame pins (fig.1C) and withdraw pins.

5.2.3. Slide the upper frame over the lower frame arms to set the required height by locating the relevant mounting hole position.

5.2.4. Re-insert pins and fix in place with the 'R' clips.

5.3. LIFTING THE FRONT WHEEL.

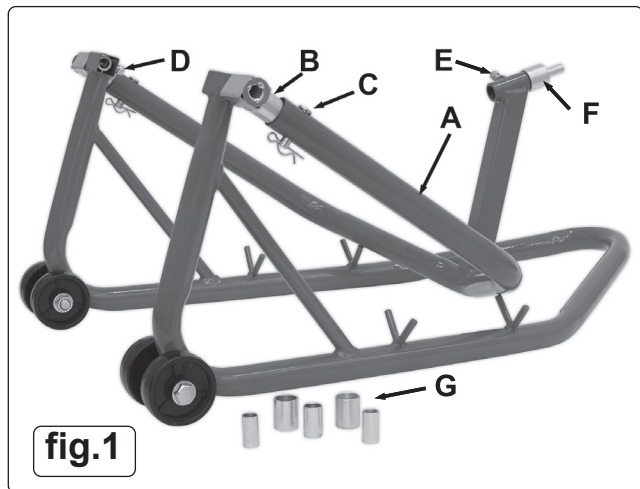
❑ **WARNING:** Before using the stand ensure that the cap screws which lock the frames in position (fig.1D) are fully engaged in the hinge tube.


NOTE: We advise seeking the assistance of a second person when mounting / dismantling the stand.

5.3.1. With the bike well supported, move the stand into position and locate the headstock pin into the headstock.


5.3.2. Lever the frame downwards in a controlled manner until it lays on the floor. This will lift the bike's front wheel off the ground. If the wheel is not lifted sufficiently lower the stand and select the next locking position (See 5.2)

5.3.3. Check that the motorcycle is stable while elevated before leaving it.



 **ENVIRONMENT PROTECTION**
Recycle unwanted materials instead of disposing of them as waste. All tools, accessories and packaging should be sorted, taken to a recycling centre and disposed of in a manner which is compatible with the environment. When the product becomes completely unserviceable and requires disposal, drain any fluids (if applicable) into approved containers and dispose of the product and fluids according to local regulations.



 **WEEE REGULATIONS**
Dispose of this product at the end of its working life in compliance with the EU Directive on Waste Electrical and Electronic Equipment (WEEE). When the product is no longer required, it must be disposed of in an environmentally protective way. Contact your local solid waste authority for recycling information.

NOTE: It is our policy to continually improve products and as such we reserve the right to alter data, specifications and component parts without prior notice.
IMPORTANT: No Liability is accepted for incorrect use of this product.
WARRANTY: Guarantee is 12 months from purchase date, proof of which is required for any claim.