



Ø50MM WATER PUMP 7.0HP PETROL ENGINE

MODEL No: **EWP050**

Thank you for purchasing a Sealey product. Manufactured to a high standard, this product will, if used according to these instructions and maintained properly, give you years of trouble free performance.

IMPORTANT: PLEASE READ THESE INSTRUCTIONS CAREFULLY. NOTE THE SAFE OPERATIONAL REQUIREMENTS, WARNINGS & CAUTIONS. USE THE PRODUCT CORRECTLY AND WITH CARE FOR THE PURPOSE FOR WHICH IT IS INTENDED. FAILURE TO DO SO MAY CAUSE DAMAGE AND/OR PERSONAL INJURY AND WILL INVALIDATE THE WARRANTY. KEEP THESE INSTRUCTIONS SAFE FOR FUTURE USE.



Refer to Instructions



Wear eye protection



Wear ear protection



Wear protective gloves



Warning hot surface

1. SAFETY INSTRUCTIONS

1.1 GENERAL SAFETY

- WARNING!** Stop the engine and disconnect the inlet and outlet pipes before performing any maintenance.
- WARNING! DO NOT** operate the pump if damaged. Replace or repair using recommended parts only. Unauthorised parts may be dangerous and will invalidate your warranty. Use authorised Service agent only.
- ✓ Keep the pump in good condition. Regular maintenance will give the best and safest performance.
- WARNING! DO NOT** operate the pump without any water passing through it. To do so will damage the machine.
- WARNING! DO NOT** operate the pump without the priming it first. To do so will damage the machine.
- WARNING!** Use the pump on a flat, level surface, in a horizontal position. Failure to do so will invalidate your warranty.
- ✓ Wear safety goggles, adequate protective clothing and anti-slip rubber soled footwear.
- ✓ Keep all persons and animals at a safe distance from the working pump
- DO NOT** allow children or untrained persons to operate the pump.
- DO NOT** use the pump if the water inlet pipe is damaged. Also check that the hose is laid out straight and safely.
- DO NOT** try to move the pump by pulling on the inlet or outlet pipes. Use the machine frame.
- DO NOT** direct the pump output towards yourself, other persons or animals, electrical equipment or the pump itself.
- DO NOT** use the pump if you are tired or under the influence of alcohol, drugs or intoxicating medication.
- ✓ When not in use, drain any water from the pump. Clean and dry the pump and store in a safe, dry, childproof area.
- DO NOT** allow the pump to become frozen.

1.2 ENGINE SAFETY

- WARNING! Check the engine oil level before each startup. Only use an SAE10W30 oil and never operate the engine with insufficient oil.**
- WARNING! DO NOT** touch spark plug or plug lead with wet (or dry) hands whilst the engine is running - severe, potentially fatal, electric shock may result.
- ✓ For safety instructions relative to the maintenance and use of the petrol engine refer to the engine instruction manual.
- DO NOT** check ignition system by removing the spark plug or spark plug lead. Use specific tester or contact service agent.
- DO NOT** operate the pump in an enclosed area as the motor exhaust fumes are a health hazard. Outdoor use only.
- DO NOT** use the pump with flammable, toxic or corrosive liquids.
- DO NOT** leave the pump unattended whilst operating, and **DO NOT** remove the fuel cap whilst the engine is running.
- DO NOT** refuel the engine whilst it is running. Stop the engine and allow it to cool for two minutes before attempting to refuel.
- DO NOT** refuel in a closed or poorly ventilated environment as there is a danger of explosion or fire. Refuel out doors.
- DO NOT** smoke or place the pump near any naked flames whilst re-fuelling.
- DO NOT** operate pump if there is a fuel leak. Move the unit and avoid any combustion until the leak has been fixed and the machine is dry.
- DO NOT** start the engine if there are any flammable materials near the exhaust system or in the path of the exhaust gases.

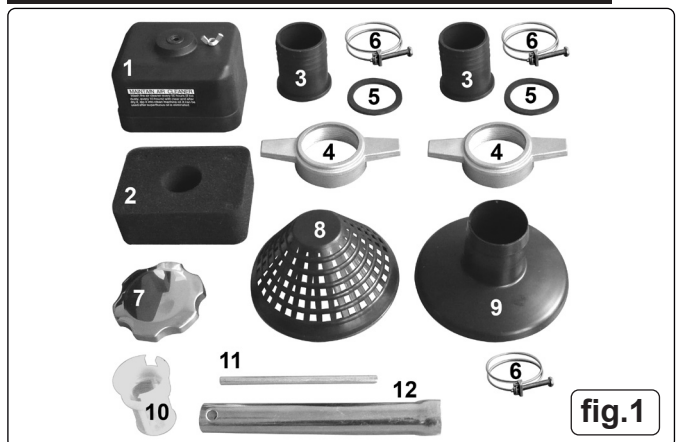
- DO NOT** block the engine ventilation grilles.
- ✓ Ensure engine fuel is stored in an approved container.
- ✓ For long term storage ensure the fuel is drained and that the pump is adequately protected against frost.
- DO NOT** operate the engine with either the silencer or air filter removed.
- DO NOT** touch the engine during or after use. To avoid burns allow it to cool before handling.

2. INTRODUCTION & SPECIFICATION

Economically designed petrol powered water pump with recoil starting. Suitable for on site applications where mains power supply is not available. Featuring 50mm inlet/outlet with 26m pumping head offering a high flow rate up to 600L/min of water. Fitted on to frame with high density rubber shock absorbers, frame also aids with protection from accidental damage.

Model No:.....	EWP050
Motor Power:.....	7.0hp
Motor Type:.....	4-stroke/Unleaded
Inlet Ø:.....	50mm
Outlet Ø:.....	50mm
Maximum Output:.....	600L/min
Maximum Head:.....	28m
Maximum Suction Head:.....	8m
Maximum Tank Capacity:.....	3.6L
Noise Rating LwA:.....	99dB
Dimensions:.....	477 x 385 x 420mm
Lay Flat Hose:.....	LFH1050
Solid Wall Hose:.....	EWP050SW

3. FITTINGS & ACCESSORIES



Fittings:

- | | |
|-------------------------------|----------------------------|
| 1. Air filter cover | 7. Petrol tank cap |
| 2. Air filter | 8. Filter basket |
| 3. Inlet/Outlet connector x 2 | 9. Filter basket cover |
| 4. Connector locking ring x 2 | 10. Petrol tank filter |
| 5. Sealing washer x 2 | 11. Spark plug spanner bar |
| 6. Wire pipe clamp x 3 | 12. Spark plug spanner |

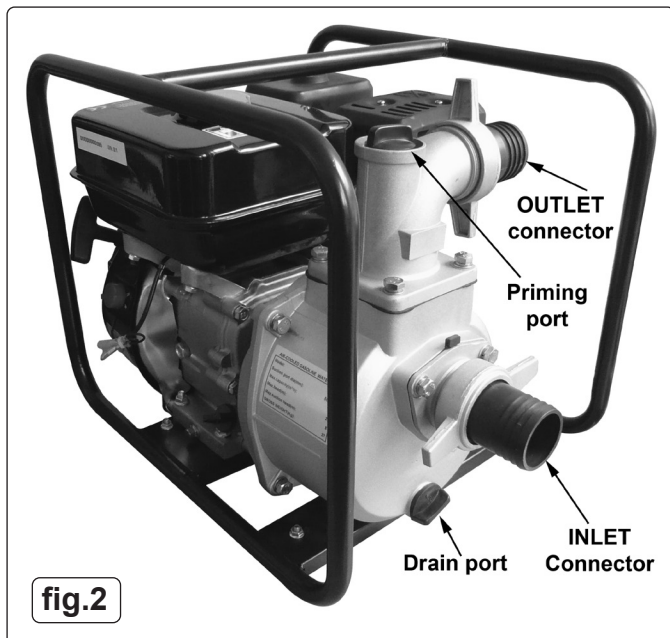


fig.2

4. CONNECTING THE PUMP

4.1 ASSEMBLE CONNECTORS ONTO PUMP (See fig.2)

- 4.1.1 Take the two inlet/outlet connectors (3) and stretch a sealing washer (5) over each connector and push it down over the ribs so that it comes to rest on the connector flange.
- 4.1.2 Insert each connector into the back of a connector locking ring (4) and push fully home.
- 4.1.3 Screw one connector assembly onto the pump inlet as shown above in fig.2. Screw the other assembly onto the pump outlet as shown above and hand tighten both.
- 4.1.4 Snap the filter basket cover (9) onto the top of the filter basket (8) as shown in fig.3.

4.2 CONNECTION TO FLEXIBLE PIPING (See fig.3)

- 4.2.1 Bearing in mind the depth of the water to be pumped and the distance of the pump from the pumping site cut a suitable length of flexible piping (int.Ø 50mm).
- 4.2.2 Slide a wire hose clamp over one end of the pipe and push the filter basket assembly fully into the end of the pipe. Slide the wire hose clamp back down over the joint and fully tighten to retain the filter basket.
- 4.2.3 Slide a wire hose clamp over the other end of the pipe and push the pipe fully onto the pump inlet connector. Slide the wire hose clamp back down over the joint and fully tighten.
- 4.2.4 Cut the required length of flexible pipe for the outlet side of the pump. Slide a wire hose clamp over the end of the pipe and push the pipe fully onto the pump outlet connector. Slide the wire hose clamp back down over the joint and fully tighten.
- 4.2.5 Submerge the filter basket in the water to be pumped. The filter basket must be at least 0.3m below the surface of the water and 1.2m above the deepest part of the water to prevent debris blocking the filter basket. (See fig.3). Ensure that the suction pipe remains in the position intended.
- 4.2.6 Ensure that the outlet pipe is correctly placed to discharge into the intended area.
- 4.2.7 **IMPORTANT! Unscrew the cap from the priming port at the top of the pump and fill the chamber with water. (See fig.2) Replace the cap.**

4.3 CONNECTION TO RIGID PIPING

- 4.3.1 If the pump is required to service a particular situation on a permanent or semi-permanent basis it may be plumbed in using rigid piping connected directly to the threaded inlet and outlet collars on the pump.
- 4.3.2 In this situation the pump must be sited on a level, stable surface such as concrete and the connecting pipework must be rigidly supported.
- 4.3.3 The pump must not be placed in an unventilated enclosure where the exhaust gases cannot escape or may be a breathing hazard to the operator.
- 4.3.4 The pump must also be sited to allow good access to all sides of the unit in order to easily use and service the petrol engine.

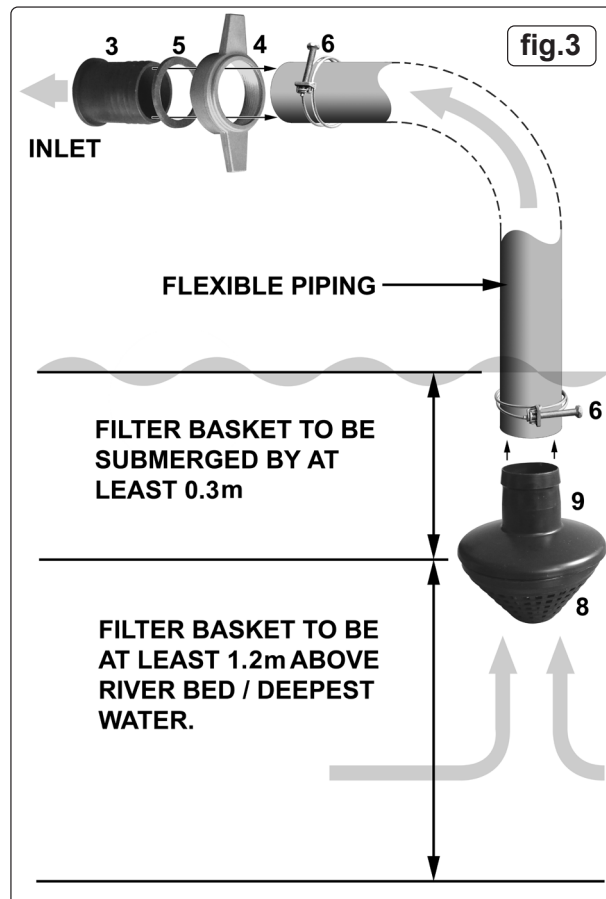


fig.3

5. OPERATING THE PUMP

5.1. MANUAL STARTING PROCEDURE.

- 5.1.1 **IMPORTANT! If the pump has not been primed, do it now, otherwise the pump may be damaged. See section 4.2.7.**
- 5.1.2 When the machine is new it should be 'run in'. This means running the unit at low speed and low load for the first 20 hours.
- 5.1.3 Check engine oil level before each use.
- 5.1.4 Check that the inlet and outlet hoses are laid straight and untwisted. Check to ensure there are no leaks from hoses or connections.

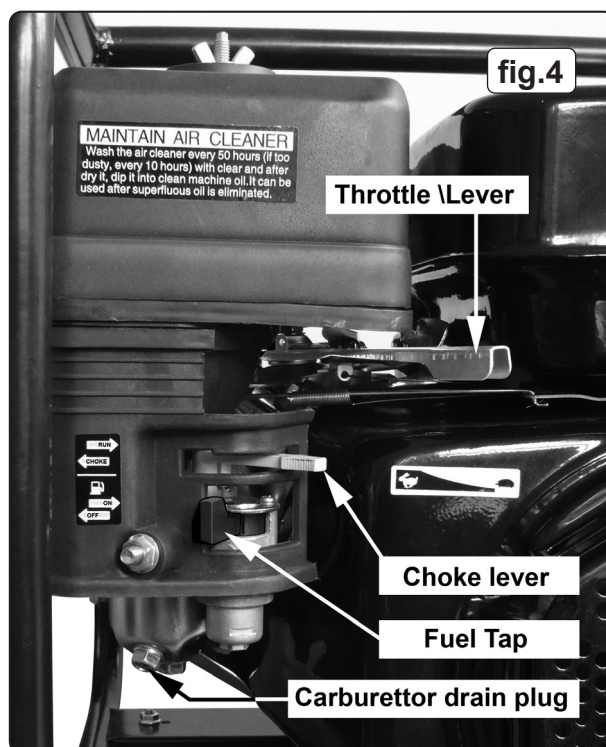


fig.4

- 5.1.5 Rotate the engine switch clockwise to the ON position. See fig.5.
- 5.1.6 Fig.4 shows the fuel tap in the OFF position. Push the fuel tap over to the right to the open position.
- 5.1.7 If the engine is cold move the choke lever to the left to close the choke.
- 5.1.8 Move the throttle lever left to the fully open position then ease it back slightly, fig.4 shows the throttle in the fully closed position.
- 5.1.9 Take hold of the recoil starter handle (see fig.5) and pull it slowly until you feel resistance, then let it return slowly.
- 5.1.10 Now pull the starting handle hard and fast all the way out. Use two hands if necessary.
- 5.1.11 If the engine doesn't start repeat the process from 5.1.8.
- 5.1.12 Once started adjust throttle lever to the required setting and return the choke to the open position when the engine is warm.

5.2. SHUT DOWN PROCEDURE.

- 5.2.1 When pumping has finished stop the engine by pushing the throttle lever fully to the right. (See fig.4) and turn the engine switch to the OFF position.
- 5.2.2 Turn off the fuel tap. (See fig.4)
- 5.2.3 In an emergency turn the engine switch to the OFF position.

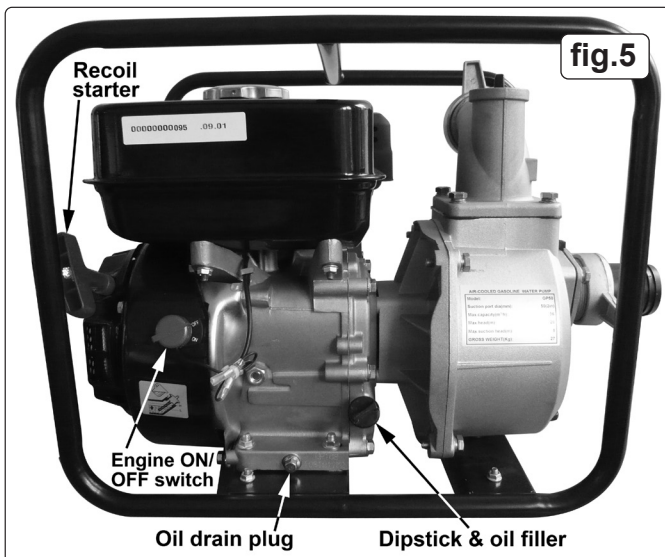
6. MAINTENANCE (PUMP)

Maintenance should only be performed with the engine turned off and the unit disconnected from the inlet and outlet pipes.

- 6.1 **WINTER STORAGE:** To prevent ice damage to the pump during winter storage drain water out of the pump by removing the stopper from the drain port seen in fig.2. Replace the stopper when all water has drained out.
- 6.2 **PUMP SEALS:** During the course of the working life of the pump it may be necessary to replace the pump seals. If this service is required the unit should be returned to your local Sealey dealer for maintenance by qualified engineers.

7. MAINTENANCE (ENGINE)

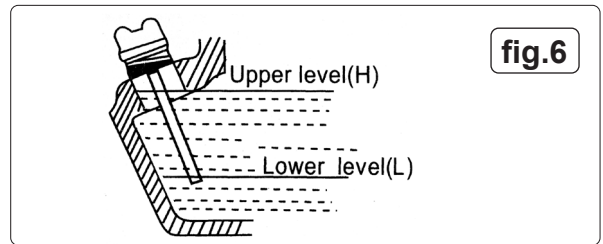
- 7.1 Change engine oil after the first 20 hours of operation. Thereafter, change oil every six months or every 100 hours of operation. Change oil more often if engine is operated under heavy load, or in high ambient air temperatures. Top-up with an SAE10W30 oil. Failure to change the the oil according to the conditions defined above will invalidate your warranty.



- 7.2 **CHECKING THE OIL LEVEL.** Ensure the unit is on a level surface.
 - 7.2.1 Unscrew the dipstick/oil filler cap (see fig.5) and wipe it clean of oil. Note that the maximum oil level should be just below the opening of the filler neck.
 - 7.2.2 Check the oil level by seating the dipstick into the hole without screwing it in. See fig.6. On removal the oil level should be between the two marks on the dipstick. If it is

at the lowest level or below, top-up immediately with an SAE10W30 oil.

- 7.2.3 Screw dipstick fully home to seal oil fill hole.



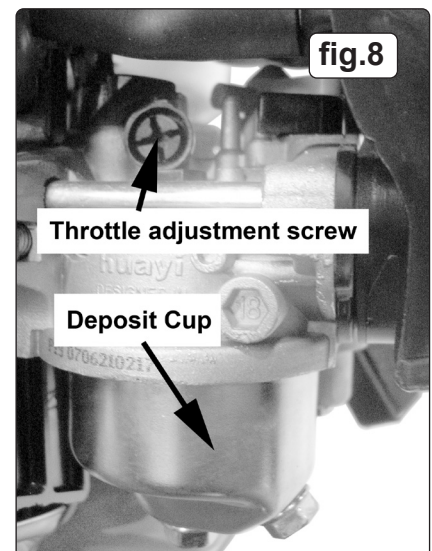
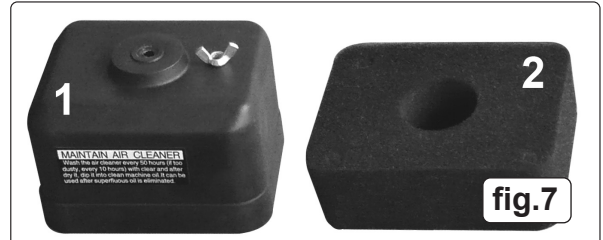
7.3 CHANGING THE OIL.

- 7.3.1 Operate the engine for 3 minutes to warm the oil and then stop the engine using the shut down procedure described in section 5.2. Place a suitable container below the frame, remove the plug and allow the oil to drain. Replace the drain plug and refill with fresh oil. Check the oil level using the dipstick. Dispose of the old oil according to local authority guidelines.

- 7.4 **FUEL FILTER:** The fuel filter is in the neck of the fuel tank. Clean it every 300 hours.

- 7.5 **AIR FILTER.** To access the air filter element unscrew and remove the wing nut on the top of the cover. Lift the air filter cover (1) off its threaded mounting rod

- 7.5.1 Remove the foam filter (2) from the air intake base moulding.
- 7.5.2 Wash the foam element with a household detergent or a high flash-point solvent and squeeze dry. When the element is thoroughly dry soak it in clean engine oil. Squeeze out any excess oil, fit back over the air intake base moulding.
- 7.5.3 Place the air filter cover onto the threaded rod and secure with the wing nut.
- 7.5.4 The foam element should be replaced after every 300 hours of service.



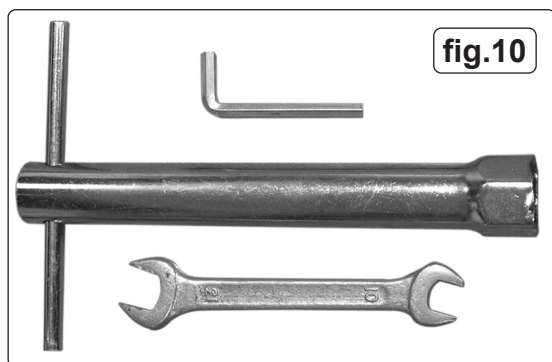
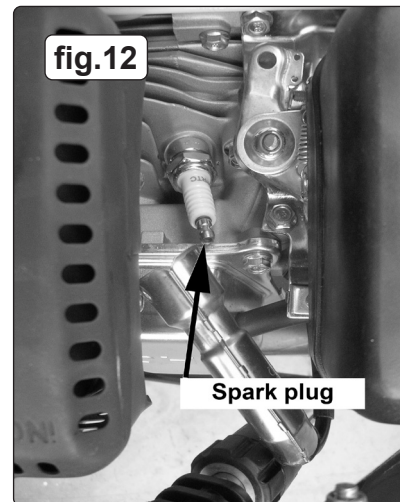
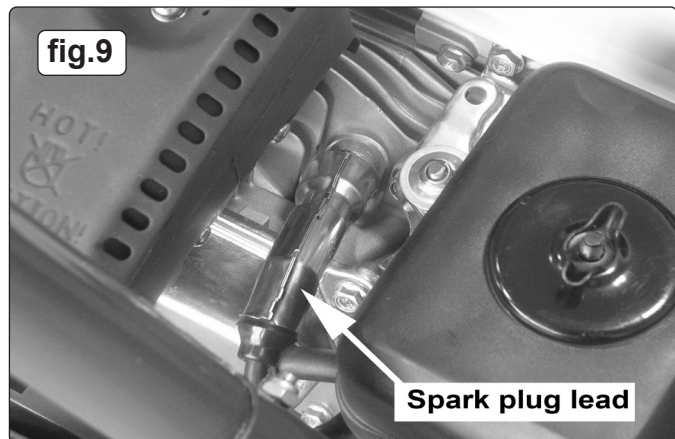
7.7 SPARK PLUG. To remove the spark plug, pull off the spark plug lead (fig.9) and remove the spark plug (fig.12) using the spark plug wrench supplied (fig.10).

Note: Care must be taken if the engine is hot due to the close proximity of the exhaust silencer to the spark plug.

7.7.1 Clean spark plug using a wire brush and check the insulator for damage, replace if damaged or at service schedule.

7.7.2 Check the electrode clearance (fig.11) with a feeler gauge, adjust if required using a plug gap tool.

7.7.3 Replace spark plug and refit plug lead.



8. ENGINE MAINTENANCE SCHEDULE

Operation Hours		Daily	First Month or 20hrs	Every 3 months or 50hrs	Every 6 months or 100 hrs	Every 12 months or 300hrs
Task						
Check and tighten nuts and bolts	Check	✓				
Engine oil	Oil Level Check	✓				
	Replace		✓		✓	
Replace air cleaner element	Check	✓				
	Clean			✓	✓	
	Replace					✓
Spark Plug	Clean / Adjust				✓	
	Replace					✓
Fuel Tank & Fuel Filter	Clean					✓
Fuel Supply Line	Check		Every 2 years (replace if required)			
Carburettor Deposit Cup	Clean				✓	
Idling	Check / Adjust					✓
Intake and exhaust valve clearances	Check / Adjust					✓

9. GENERAL TROUBLESHOOTING

PROBLEM	POSSIBLE CAUSES	REMEDY
NO OUTPUT FROM PUMP	Not fully primed	Open priming port and fill chamber with water
	Inlet pipe leakage	Tighten clamp and/or renew pipe
	Pump speed too slow	Investigate cause / increase speed if required
	Filter basket is clogged	Remove obstruction / debris
	Suction / overall head too high	Reduce installation height to recommended levels
	Damaged pump seal causing air leak	Return to Sealey dealer to install new seals
INSUFFICIENT FLOW OF WATER	Filter basket, impeller or pipeline obstructed	Inspect and clear obstruction
	Speed is too slow	Increase speed
	Impeller seal badly worn	Return to Sealey dealer for adjustment or replacement
	Inlet pipe leakage	Tighten clamp and/or renew pipe
	Damaged impeller	Return to Sealey dealer for replacement
EXCESSIVE FUEL CONSUMPTION	Impeller rubbing on casing	Return to Sealey dealer for adjustment
	Impeller obstructed by weeds or foreign matter	Clear obstruction
FLOW CEASES SUDDENLY	Inlet connector loose and leaking	Tighten connector locking ring
	Cavitation caused by too high a suction head	Lower the position of the pump
UNIT NOISY & VIBRATING	Cavitation caused by too high a suction head	Lower the position of the pump
	Excessive water output	Decrease speed to reduce output
	Input pipe obstructed by foreign body	Inspect and clear obstruction
	Loose rotary part	Return to Sealey dealer for identification and replacement
	Unstable pump installation	Stop engine and consolidate position of unit
	Air in the pump or pipeline	Stop engine, open priming port to release air
	Impeller damaged	Return to Sealey dealer for replacement



WEEE REGULATIONS

Dispose of this product at the end of its working life in compliance with the EU Directive on Waste Electrical and Electronic Equipment (WEEE). When the product is no longer required, it must be disposed of in an environmentally protective way. Contact your local solid waste authority for recycling information.



ENVIRONMENT PROTECTION

Recycle unwanted materials instead of disposing of them as waste. All tools, accessories and packaging should be sorted, taken to a recycling centre and disposed of in a manner which is compatible with the environment. When the product becomes completely unserviceable and requires disposal, drain any fluids (if applicable) into approved containers and dispose of the product and fluids according to local regulations.

Note: It is our policy to continually improve products and as such we reserve the right to alter data, specifications and component parts without prior notice.

Important: No Liability is accepted for incorrect use of this product.

Warranty: Guarantee is 12 months from purchase date, proof of which is required for any claim.

Sealey Group, Kempson Way, Suffolk Business Park, Bury St Edmunds, Suffolk. IP32 7AR



01284 757500



01284 703534



sales@sealey.co.uk



www.sealey.co.uk