



# EV BATTERY LIFT 1000KG CAPACITY

MODEL NO: **EVBT1000**

Thank you for purchasing a Sealey product. Manufactured to a high standard, this product will, if used according to these instructions, and properly maintained, give you years of trouble free performance.

**IMPORTANT:** PLEASE READ THESE INSTRUCTIONS CAREFULLY. NOTE THE SAFE OPERATIONAL REQUIREMENTS, WARNINGS & CAUTIONS. USE THE PRODUCT CORRECTLY AND WITH CARE FOR THE PURPOSE FOR WHICH IT IS INTENDED. FAILURE TO DO SO MAY CAUSE DAMAGE AND/OR PERSONAL INJURY AND WILL INVALIDATE THE WARRANTY. KEEP THESE INSTRUCTIONS SAFE FOR FUTURE USE.



Refer to instructions



Wear safety footwear



**DO NOT** enter under if not mechanically locked



**DO NOT** put hands or feet under platform



**DO NOT** ride on platform

## 1. SAFETY

- WARNING!** Ensure all Health and Safety, local authority, and general workshop practice regulations and recommendations are strictly adhered to when lifting or moving heavy loads. The lifting or movement of heavy loads may be dangerous if not undertaken correctly.
- ✓ Familiarise yourself with the application and limitations, as well as the specific potential hazards peculiar to the lift.
- ✓ Maintain the lift in good condition (use an authorised service agent).
- ✓ Replace or repair damaged parts. *Use genuine parts only. Unauthorised parts may be dangerous and will invalidate the warranty.*
- ✓ Use a qualified person to lubricate/maintain the lift. **DO NOT** use brake fluid to top up hydraulic unit. Use Sealey hydraulic oil only.
- ✓ Keep the lift clean for best and safest performance. **DO NOT** use on Tarmacadam when fully laden as the wheels may sink in.
- ✓ Locate lift in an adequate working area for its function, keep area clean and tidy and free from unrelated materials.
- WARNING!** Use lift on flat, level, solid ground, preferably concrete. Ensure the floor over which the lift will be transported is swept clean and that there are no obstacles in the way.
- ✓ Keep the work area clean, uncluttered and ensure there is necessary adequate lighting.
- ✓ Keep children and non essential persons away from the loading/unloading and transporting area.
- ✓ Keep hands and body clear of the edge and underside of the platform when operating the lift.
- ✓ Maintain correct balance and footing. Ensure the floor is not slippery and wear non-slip shoes.
- WARNING!** Ensure load is placed level and centrally on lift platform and if necessary strap load in place before attempting to lift, lower, or transport. When raised, check that the platform/load will not foul on the handle and/or your hand when lowering the load.
- WARNING!** Use the lift with diligence. **DO NOT** allow lift to knock into anything. Even when unladen, the lift is heavy and if misused, could cause serious damage and/or personal injury. Continually monitor transportation, lifting and lowering operations.
- ✓ Take care to ensure you can view the way ahead when moving the lift. Take special care when approaching blind corners.
- ✓ Before lifting check that there are no overhead obstructions.
- ✓ Engage the wheel locks before attempting to raise or lower the platform.
- ▲ **DANGER!** If a heavy load tips or leans, STOP WHAT YOU ARE DOING. Move quickly to a safe distance. **DO NOT** try to hold or steady a heavy load. Failure to follow this instruction may cause serious personal injury.
- ✓ Ensure the lift is fully lowered before attempting to transport a load.
- ✓ Before lowering the platform, ensure there are no obstructions underneath the platform and that all persons are standing clear of the lift. Watch the lift during operation.
- ✓ The lowering speed is a fixed rate regardless of the load weight. Stop lowering by releasing the valve control lever on the handle.
- WARNING! DO NOT** exceed the rated capacity of the lift.
- ✓ Ensure loads are evenly placed on the lift platform.
- × **DO NOT** use the lift if a part is missing or damaged.
- × **DO NOT** ride on the lift or allow any person to be transported on the lift.
- × **DO NOT** use the lift for any purpose other than lifting, lowering and transporting loads.
- × **DO NOT** allow lift to free wheel in transit. Always propel and control the lift by using the handle.
- × **DO NOT** use the lift on sloping surfaces.
- × **DO NOT** operate the lift when you are tired or under the influence of alcohol, drugs or intoxicating medication.
- × **DO NOT** allow children to operate the lift.
- × **DO NOT** adjust or tamper with the hydraulic safety valve.
- × **DO NOT** place any part of your body within or under the lift platform whilst raising and when lowering.
- ✓ When not in use, fully lower the platform and store in a safe, dry, childproof area.

## 2. INTRODUCTION

Heavy-duty construction, solid steel framework. High lift version, 1750mm maximum platform height. Multiple adjustments can be made to the table and saddles, for the removal and installation of most EV vehicle batteries. Fitted with four composite wheels. Two fixed and two locking castors for easy-rolling over rough workshop floors. One-piece hydraulic unit, controlled by large rear mounted foot pedal. Designed to assist with EV battery maintenance on electric vehicles. Can also be used for assisting with many other day-to-day workshop tasks such as removing/installing engines, transmissions, fuel tanks, subframes and can be used as a mobile service bench. Safety release mechanism is positioned on handlebar, for smooth controlled descent.

### 3. SPECIFICATION

**MODEL NO.:**.....EVBT1000  
Capacity:..... 1000kg  
Maximum Platform Height:..... 1750mm  
Minimum Platform Height:..... 550mm  
Platform Length:..... 1500mm  
Platform Width:..... 800mm

### 4. ASSEMBLY

**NOTE:** The trolley comes fully assembled except for the handle assembly and foot-pedal. Refer to Parts List.

#### 4.1. HANDLE

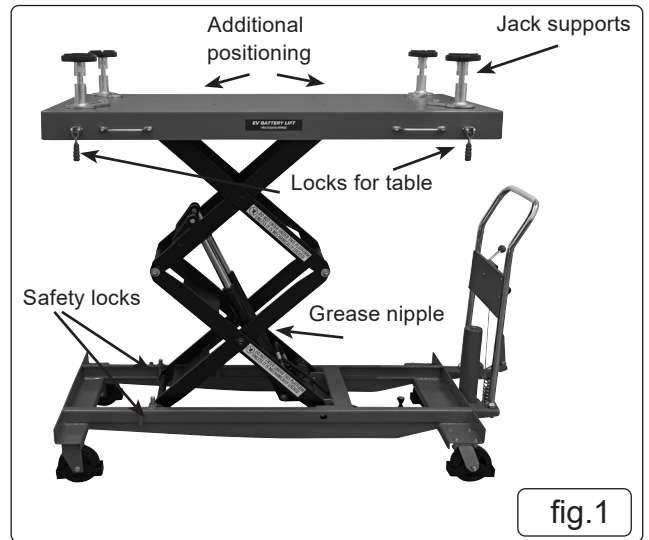
4.1.1. Fit the handle to the frame using the supplied screws and washers.

#### 4.2. FOOT-PEDAL

4.2.1. Insert the foot-pedal onto the drive shaft and fix in position using the supplied fixings.

#### 4.3. JACK SUPPORTS

4.3.1. These can be arranged to best support the battery being removed these are best left until you know the arrangement required.



### 5. OPERATION

- WARNING!** Ensure you read, understand and follow the safety instructions. Ensure all Health and Safety, local authority, and general workshop practice regulations and recommendations are strictly adhered to when lifting or moving heavy loads. The lifting or movement of heavy loads may be dangerous if not undertaken correctly.
- WARNING!** Be sure to insert the platform safety locks before raising on each side see fig.3 and removing to lower to its lowest point.
- WARNING!** Before each use, inspect the unit to ensure the warning markings are in place and are legible.

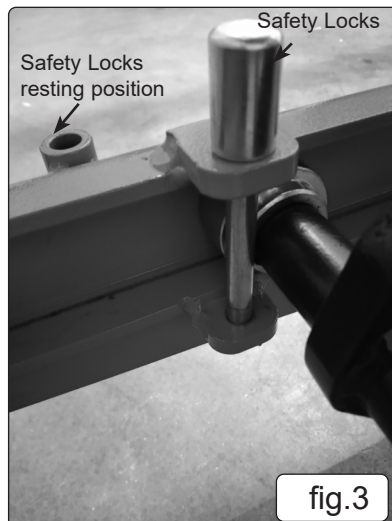
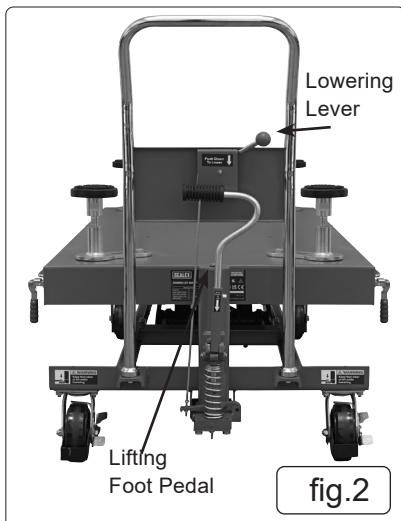
#### 5.1. RAISING THE PLATFORM

**NOTE:** Ensure that any obstructions are removed.

- 5.1.1. When in position for lifting the platform, ensure that the castor wheels are locked in position.
- 5.1.2. Place jack supports and arrange to suit and tighten bolts supplied.
- 5.1.3. Check that the jack pads are free from any damage.
- 5.1.4. Pump the foot-pedal to raise the platform to the required height. The safety locks must be put into position to prevent the platform from dropping.

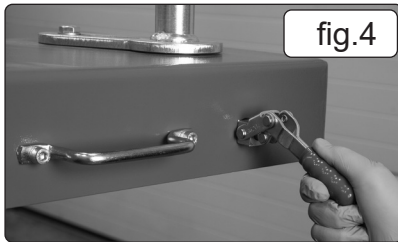
#### 5.2. LOWERING THE PLATFORM

- WARNING!** Ensure the load will not foul on anything, and is clear of your hands and the handle when lowering to just before the safety locks.
  - 5.2.1. Squeeze the lowering lever to lower the platform.
  - 5.2.2. Disconnect the safety locks by raising the table slightly and placing the safety bars back to the resting position.
  - 5.2.3. Squeeze the trigger to lower the platform to its lowest point.
  - 5.2.4. Unlock the castor wheels and transport the load to the required destination.
- NOTE:** With or without a load, always transport the lift with platform in its lowest position. When not in use, store the lift with the platform in the lowest position.



## 6. MAINTENANCE

- ✓ When the lift is not in use, the platform must be in the lowest position to minimise ram and piston corrosion.
  - ✓ Keep the lift clean and wipe off any oil or grease. Lubricate all moving parts with acid free oil.
  - ✗ **DO NOT** use lift if believed to have been subjected to abnormal load or shock load. Inspect and if necessary take appropriate action.
  - ✓ Periodically check the pump piston and piston rod for signs of corrosion. Clean exposed areas with a clean oiled cloth.
  - ✓ The top lockable table has four securing latches which can be removed to access components or to clean.(fig.4)
  - ✓ Regularly grease the hinge points (fig.1).
- IMPORTANT:** Only fully qualified personnel should attempt maintenance or repair of the lift and it's hydraulic system.
- ✓ The oil cylinder is a sealed unit and must not be accessed. For service contact your authorised dealer.
  - ☐ **WARNING!** Only a good quality hydraulic oil, such as Sealey hydraulic jack oil must be used, **DO NOT** use brake fluid.
- IMPORTANT: NO RESPONSIBILITY IS ACCEPTED FOR INCORRECT USE OF THE LIFT.**
- ✓ Owing to their size and weight, hydraulic products should ideally be repaired by local service agents. We have service / repair agents in most parts of the UK. Before returning your product please call our technical helpline on **01284 757505** for advice and troubleshooting guidance.



## 7. TROUBLESHOOTING

FAULT PHENOMENON	CAUSE ANALYSIS	ACTION
Platform cannot rise	There is no oil in the cylinder Oil drain screw or steel bolt not in place	Add hydraulic oil Adjust or clean the drain screw or steel ball
The platform cannot stop at the rising position and slides down slowly	Oil drain screw or steel bolt not in place	Adjust or clean the drain screw or steel ball
The platform cannot descend	The YSD seal ring has been damaged Loosen the universal joint and rotate freely The drain screw is not open	Replace the YSD type sealing ring Check if the universal joint is installed Adjust the drain screw
Oil leakage at the drain screw	O-ring damaged	Replace the O-ring
The platform truck cannot lift the rated weight	The pressure regulating spring is faulty	Replace the pressure regulating spring



### ENVIRONMENT PROTECTION

Recycle unwanted materials instead of disposing of them as waste. All tools, accessories and packaging should be sorted, taken to a recycling centre and disposed of in a manner which is compatible with the environment. When the product becomes completely unserviceable and requires disposal, drain any fluids (if applicable) into approved containers and dispose of the product and fluids according to local regulations.



REGISTER YOUR PURCHASE HERE

**Note:** It is our policy to continually improve products and as such we reserve the right to alter data, specifications and component parts without prior notice.

**Important:** No Liability is accepted for incorrect use of this product.

**Warranty:** Guarantee is 12 months from purchase date, proof of which is required for any claim.

Sealey Group, Kempson Way, Suffolk Business Park, Bury St Edmunds, Suffolk. IP32 7AR



01284 757500



sales@sealey.co.uk



www.sealey.co.uk