



ENGINE STAND 550KG

MODEL NO: ES550.V3

Thank you for purchasing a Sealey product. Manufactured to a high standard, this product will, if used according to these instructions, and properly maintained, give you years of trouble free performance.

IMPORTANT: PLEASE READ THESE INSTRUCTIONS CAREFULLY. NOTE THE SAFE OPERATIONAL REQUIREMENTS, WARNINGS & CAUTIONS. USE THE PRODUCT CORRECTLY AND WITH CARE FOR THE PURPOSE FOR WHICH IT IS INTENDED. FAILURE TO DO SO MAY CAUSE DAMAGE AND/OR PERSONAL INJURY AND WILL INVALIDATE THE WARRANTY. KEEP THESE INSTRUCTIONS SAFE FOR FUTURE USE.



Refer to instructions



Wear safety footwear

1. SAFETY

- ❑ **WARNING!** Ensure all Health and Safety, local authority, and general workshop practice regulations are strictly adhered to when using this equipment.
- ✓ Before using the stand ensure it is in good working order.
- ✓ Replace or repair damaged parts. Use recommended parts only. Unauthorised parts may be dangerous and will invalidate the warranty.
- ✓ Keep the stand clean for best and safest performance.
- ✓ Locate the stand in a suitable work area, keep area clean and tidy and free from unrelated materials. Ensure there is adequate lighting.
- ✓ Use on a firm, level surface capable of sustaining the stand and the load.
- ✓ Maintain correct balance and footing. Ensure the floor is not slippery and wear non-slip shoes.
- ✓ Ensure all non-essential persons keep a safe distance whilst the stand is in use.
- ✓ Lock mounting plate in position with locking pin before fixing a load and ensure the load is centred and securely mounted on the mounting plate.
- ✓ When an engine is mounted, take the weight of the engine on the handle **before** removing the locking pin.
- ✓ Ensure the stand and load are stable.
- ✓ To move a loaded stand, steady the load and push from behind the main post of the stand so that the castor wheels are ahead of the load.
- ✗ **DO NOT** pull the unit backwards, or push from the side, as this may cause the stand to tip.
- ✓ Ensure surface over which the stand is to travel is strong enough to take the stand and load and that it is not cracked, uneven or obstructed.
- ✗ **DO NOT** use unit if damaged.
- ✗ **DO NOT** allow untrained persons to use the stand.
- ✗ **DO NOT** exceed the rated capacity of 550kg.
- ▲ **DANGER! DO NOT** work **under** an engine mounted on the stand.
- ✗ **DO NOT** use the stand for purposes other than those for which it is designed.
- ✓ When not in use, store in a safe, dry, childproof location.

2. INTRODUCTION

These stands accept a wide variety of engines and transmissions. The heads swivel 360° for accessibility to all parts of the engine. Fully adjustable mounting arms. Swivel castors provide excellent manoeuvrability. Additionally Model No. ES900F features folding legs for easier storage and transport.

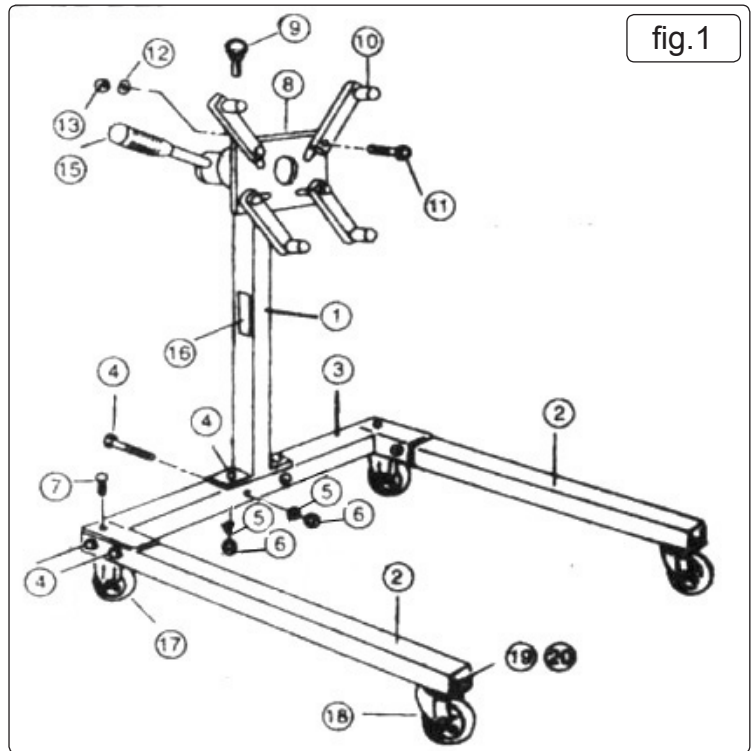
3. SPECIFICATION

Model No: ES550 V3
Maximum capacity:..... 550kg
Width: 1000mm
Length:..... 845mm
Height: 930mm
Nett Weight:..... 27kg

4. ASSEMBLY

NOTE: The following numbers refer to (fig.1).

- 4.1. Remove head mounting plate (8) from main post (1).
- 4.2. Loosely attach main post (1) to main post support (3) with bolts (4), washers (5) and nuts (6).
- 4.3. Attach front legs (2) into main post support (3) and loosely secure with bolt (7 & 4), washers (5) and nuts (6).
- 4.4. Fit front castors (18) to castor legs (2) with nuts (20) and bolts (19).
- 4.5. Refit head mounting plate (8) to main post (1) and locate with locking pin (9).
- 4.6. Attach the four mounting arms (10) to head mounting plate (8) with bolts (11), washers (12) and nuts (13).
- 4.7. Insert handle (15) through hole in stem of mounting plate (8).
- 4.8. Apply weight evenly across the main post support (3) and front legs (2), making sure that all four castor wheels are on level ground and the frame is sitting square and true, then tighten all nuts and bolts. Remove weight and check that the unit is sitting correctly with all four castors in contact with the ground.



ENVIRONMENT PROTECTION

Recycle unwanted materials instead of disposing of them as waste. All tools, accessories and packaging should be sorted, taken to a recycling centre and disposed of in a manner which is compatible with the environment. When the product becomes completely unserviceable and requires disposal, drain any fluids (if applicable) into approved containers and dispose of the product and fluids according to local regulations.

Note: It is our policy to continually improve products and as such we reserve the right to alter data, specifications and component parts without prior notice.

Important: No Liability is accepted for incorrect use of this product.

Warranty: Guarantee is 12 months from purchase date, proof of which is required for any claim.

Sealey Group, Kempson Way, Suffolk Business Park, Bury St Edmunds, Suffolk. IP32 7AR



01284 757500



01284 703534



sales@sealey.co.uk



www.sealey.co.uk