



**Quality  
MACHINERY**

Instructions For:  
**ENGINE SUPPORT BEAM 300kg  
ALUMINIUM**  
Model No: **ES300A.V2**

Thank you for purchasing a Sealey Product. Manufactured to a high standard this product will, if used according to these instructions and properly maintained, give you years of trouble free performance.



**IMPORTANT: PLEASE READ THESE INSTRUCTIONS CAREFULLY. NOTE THE SAFE OPERATIONAL REQUIREMENTS, WARNINGS AND CAUTIONS. USE THIS PRODUCT CORRECTLY AND WITH CARE FOR THE PURPOSE FOR WHICH IT IS INTENDED. FAILURE TO DO SO MAY CAUSE DAMAGE AND/OR PERSONAL INJURY, AND WILL INVALIDATE THE WARRANTY. PLEASE KEEP INSTRUCTIONS SAFE FOR FUTURE USE.**

## 1. SAFETY INSTRUCTIONS

- ✓ Ensure that the engine support is in good working order. Take action for immediate repair or replacement of damaged parts. *Use genuine parts only.* *The use of unauthorised parts may be dangerous and will invalidate the warranty.*
- ✓ Locate the vehicle in a suitable, well lit work area.
- ✓ Keep work area clean and tidy and free from unrelated materials.
- ✓ Ensure the vehicle handbrake is engaged and the engine/motor is switched off.
- ✓ Ensure all non-essential persons keep a safe distance whilst the engine support is in use.
- ✗ **DO NOT** use the engine support if damaged.
- ✗ **DO NOT** allow untrained persons to operate the engine support.
- ✗ **DO NOT** use the engine support for purposes other than that for which it is designed.
- ✗ **DO NOT** exceed the rated capacity of the engine support.
- ✓ When not in use, store engine support in a safe, dry, childproof area.



## 2. INTRODUCTION & SPECIFICATION

Designed to support and accurately position engines during maintenance operations such as replacing anti-vibration mountings and certain body panels. Lightweight aluminium, weighs only 8.4kg making it easy to manoeuvre, without compromising the maximum capacity. Also used as an aid for the removal of gearboxes and transmissions. Beams supported on rubber feet and fine adjustment control is obtained by using a screw/hook mechanism. Supplied with a short length of chain.

Maximum Capacity . . . . . 300kg  
 Maximum Width . . . . . 1520mm

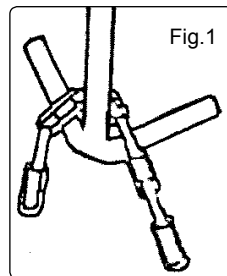
Minimum Width . . . . . 300mm  
 Screw Travel . . . . . 190mm

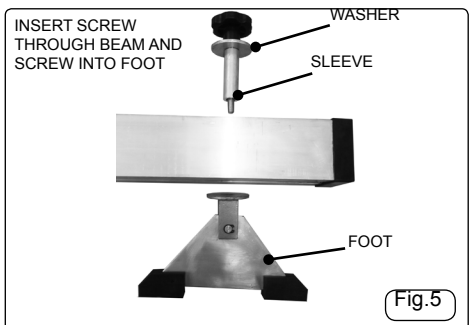
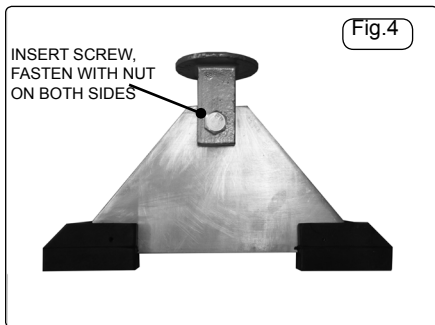
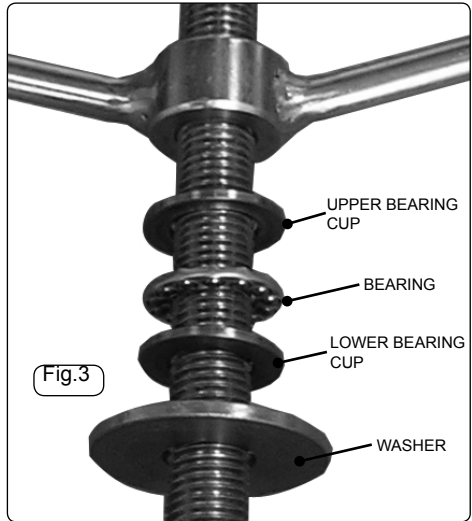
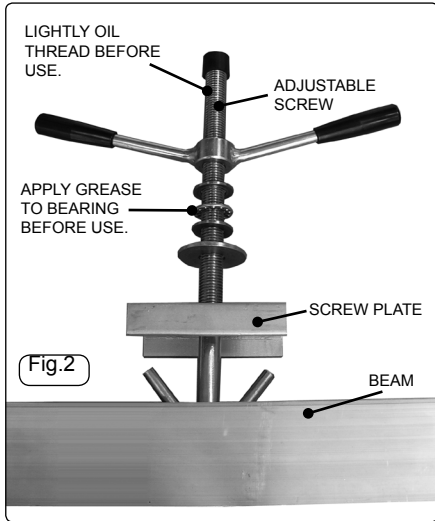
## 3. ASSEMBLY INSTRUCTIONS

- 3.1. Follow the diagrams Fig.2, 3, 4 & 5 overleaf to assemble your ES300A Engine Support.
  - 3.2. Ensure the Adjustable Screw Fig.2 is lightly oiled before use.
  - 3.3. Ensure the Adjustable Screw Bearing Fig.2 is greased before use.
- Note: Ensure all fixings are tightened before applying a load.**

## 4. OPERATING INSTRUCTIONS

- 4.1. Ensure the adjustable screw is wound to its highest position to prevent damage whilst locating the engine support over an engine bay.
- 4.2. Ensure the foot screws are loose and locate the rubber blocks in the gutters of the vehicle's front wing panels or close to the suspension strut towers.
- 4.3. Attach the ends of the chain to the lifting brackets on the engine.  
 Note: Refer to manufacturer's handbook to identify lifting brackets.
- 4.4. Lower the adjustable screw and hook the chain around the hook as shown in fig.1.
- 4.5. Tighten both foot screws.
- 4.6. Rotate the adjustable screw assembly clockwise to tighten the chain and support the engine.
- 4.7. On completion of the maintenance task, rotate the adjustable screw assembly anti-clockwise to release the tension on the chain.
- 4.8. Unhook the chain and remove the engine support from the vehicle.
- 4.9. Remove the chain from the engine lifting points.





Parts support is available for this product. To obtain a parts listing and/or a diagram please log on to: [www.sealey.co.uk](http://www.sealey.co.uk), email: [sales@sealey.co.uk](mailto:sales@sealey.co.uk) or phone: 01284 757500



**Environmental Protection.**

Recycle unwanted materials instead of disposing of them as waste. All tools, accessories and packaging should be sorted, taken to a recycle centre and disposed of in a manner which is compatible with the environment.

**NOTE:** It is our policy to continually improve products and as such we reserve the right to alter data, specifications and component parts without prior notice.

**IMPORTANT:** No liability is accepted for incorrect use of this product.

**WARRANTY:** Guarantee is 12 months from purchase date, proof of which will be required for any claim.

**INFORMATION:** For a copy of our latest catalogue and promotions call us on 01284 757525 and leave your full name and address, including postcode.



Sole UK Distributor, Sealey Group,  
Kempton Way, Suffolk Business Park,  
Bury St. Edmunds, Suffolk,  
IP32 7AR

01284 757500

01284 703534



[www.sealey.co.uk](http://www.sealey.co.uk)



[sales@sealey.co.uk](mailto:sales@sealey.co.uk)