



INSTRUCTIONS FOR:
POLISHER
SANDER/POLISHER

ER1800P.V3
ER2000P.V3

Thank you for purchasing a Sealey product. Manufactured to a high standard this product will, if used according to these instructions and properly maintained, give you years of trouble free performance.

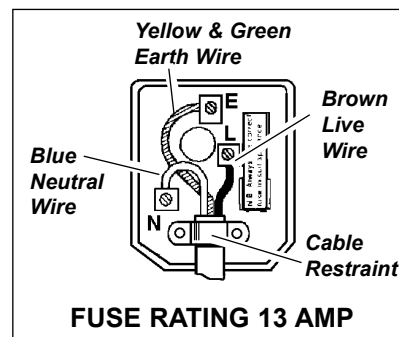
IMPORTANT: PLEASE READ THESE INSTRUCTIONS CAREFULLY. NOTE THE SAFE OPERATIONAL REQUIREMENTS, WARNINGS & CAUTIONS. USE THE PRODUCT CORRECTLY AND WITH CARE FOR THE PURPOSE FOR WHICH IT IS INTENDED. FAILURE TO DO SO MAY CAUSE DAMAGE AND/OR PERSONAL INJURY AND WILL INVALIDATE THE WARRANTY. PLEASE KEEP INSTRUCTIONS SAFE FOR FUTURE USE.

1. SAFETY INSTRUCTIONS

1.1. ELECTRICAL SAFETY

WARNING! It is the responsibility of the owner and the operator to read, understand and comply with the following:
You must check all electrical products, before use, to ensure that they are safe. You must inspect power cables, plugs, sockets and any other connectors for wear or damage. You must ensure that the risk of electric shock is minimised by the installation of appropriate safety devices. A Residual Current Circuit Breaker (RCCB) should be incorporated in the main distribution board. We also recommend that a Residual Current Device (RCD) is used. It is particularly important to use an RCD with portable products that are plugged into a supply which is not protected by an RCCB. If in any doubt consult a qualified electrician. You may obtain a Residual Current Device by contacting your Sealey dealer. **You must** also read and understand the following instructions concerning electrical safety.

- 1.1.1. The **Electricity at Work Act 1989** requires all portable electrical appliances, if used on business premises, to be tested by a qualified electrician, using a Portable Appliance Tester (PAT), at least once a year.
- 1.1.2. The **Health & Safety at Work Act 1974** makes owners of electrical appliances responsible for the safe condition of those appliances and the safety of the appliance operators. **If in any doubt about electrical safety, contact a qualified electrician.**
- 1.1.3. Ensure that the insulation on all cables and on the appliance is safe before connecting it to the power supply. See 1.1.1. and 1.1.2. and use a Portable Appliance Tester.
- 1.1.4. Ensure that cables are always protected against short circuit and overload.
- 1.1.5. Regularly inspect power supply cables and plugs for wear or damage and check all connections to ensure that none is loose.
- 1.1.6. **Important:** Ensure that the voltage marked on the appliance matches the power supply to be used and that the plug is fitted with the correct fuse - see fuse rating at right.
- 1.1.7. **DO NOT** pull or carry the appliance by the power cable.
- 1.1.8. **DO NOT** pull the plug from the socket by the cable.
- 1.1.9. **DO NOT** use worn or damaged cables, plugs or connectors. Immediately have any faulty item repaired or replaced by a qualified electrician. When an ASTA/BS approved UK 3 pin plug is damaged, cut the cable just above the plug and **dispose of the plug safely.** Fit a new plug according to the following instructions (UK only).



FUSE RATING 13 AMP

- a) **Connect the GREEN/YELLOW earth wire to the earth terminal 'E'.**
- b) **Connect the BROWN live wire to the live terminal 'L'.**
- c) **Connect the BLUE neutral wire to the neutral terminal 'N'.**
- d) **After wiring, check that there are no bare wires, that all wires have been correctly connected, that the cable outer insulation extends beyond the cable restraint and that the restraint is tight.**

Double insulated products, which are always marked with this symbol , are fitted with live (brown) and neutral (blue) wires only. To rewire, connect the wires as indicated above - **DO NOT** connect either wire to the earth terminal.

- 1.1.10. Products which require more than 13 amps are supplied without a plug. In this case you must contact a qualified electrician to ensure that a suitably rated supply is available. We recommend that you discuss the installation of an industrial round pin plug and socket with your electrician.
- 1.1.11. If an extension reel is used it should be fully unwound before connection. A reel with an RCD fitted is preferred since any appliance plugged into it will be protected. The cable core section is important and should be at least 1.5mm², but to be absolutely sure that the capacity of the reel is suitable for this product and for others which may be used in the other output sockets, we recommend the use of 2.5mm² section cable. If extension reel is to be used outdoors, ensure it is marked for outdoor use.

1.2. GENERAL SAFETY

- WARNING!** *Ensure Health & Safety, local authority, and general workshop practice regulations are adhered to when using this equipment.*
- ✓ Familiarise yourself with the application and limitations of the product, as well as the specific potential hazards peculiar to the polisher.
- WARNING!** Disconnect from the mains power before changing accessories, servicing or performing any maintenance.
- WARNING!** Disconnect from the mains power and ensure the disc is at a complete standstill before changing accessories, servicing or performing any maintenance.
- ✓ Maintain the polisher/sander in good condition (use an authorised service agent).
- ✓ Replace damaged parts. *Use genuine parts only. Unauthorised parts may be dangerous and will invalidate the warranty.*
- WARNING!** Keep all guards and holding screws in place, tight and in good working order. Check regularly for damaged parts. A guard or any other part that is damaged must be repaired/replaced before the polisher is next used.
- ✓ Locate polisher/sander in a suitable working area, keep area clean and tidy and free from unrelated materials. Ensure there is adequate lighting.
- ✓ Keep the polisher/sander clean for best and safest performance.
- ✓ Before each use check all abrasive attachments for condition. If worn or damaged replace immediately.
- ✓ Ensure there are no flammable or combustible materials near the work area.
- WARNING!** Wear approved safety eye protection, ear defenders and, if dust is generated, respiratory protection.
- ✓ Maintain correct balance and footing. Ensure the floor is not slippery and wear non-slip shoes.
- ✓ Remove ill fitting clothing. Remove ties, watches, rings, and other loose jewellery, and contain and/ or tie back long hair.
- ✓ Keep children and unauthorised persons away from the working area.
- ✓ Secure non-stable workpiece with a clamp, vice or other adequate holding device.
- ✓ Remove adjusting keys and wrenches from the machine and its vicinity before turning it on.
- x **DO NOT** use polisher/sander for any purpose other than that for which it is designed.
- x **DO NOT** operate the polisher/sander if any parts are damaged or missing as this may cause failure and/or possible personal injury.
- WARNING! DO NOT** sand any materials containing asbestos.
- x **DO NOT** switch the polisher/sander on whilst the head is in contact with the workpiece and avoid unintentional starting.
- x **DO NOT** get the polisher/sander wet or use in damp or wet locations or areas where there is condensation.
- x **DO NOT** allow untrained persons to operate the polisher/sander.
- x **DO NOT** operate the polisher/sander when you are tired or under the influence of alcohol, drugs or intoxicating medication.
- x **DO NOT** use the polisher/sander where there are flammable liquids, solids or gases such as paint solvents, etc.
- x **DO NOT** leave the polisher/sander operating unattended.

- x **DO NOT** carry the polisher/sander with your finger on the power switch.
- x **DO NOT** pull the cord from the power supply.
- ✓ Use a qualified person to lubricate and maintain the polisher/sander.
- ✓ When not in use unplug from the mains power supply and store in a safe, dry, childproof area.

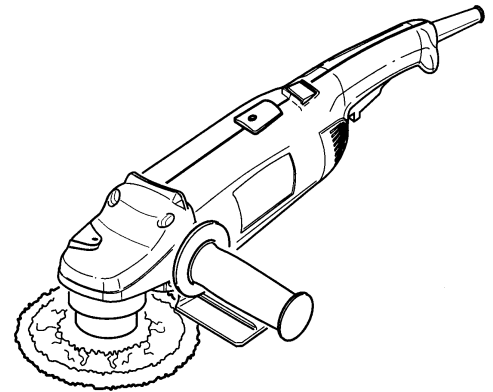
2. INTRODUCTION

The ER1800P.V3. Single speed polisher with hardened bevel gears and tough outer casing. Features stop-lock spindle for simple pad/disc loading and unloading. Latching power switch which reduces risk of accidental operation. Supplied with Ø170mm backing pad, polishing bonnet, side handle, hand guard and pin spanner.

The ER2000P.V3. Two-speed control enables use as a sander or polisher. Fitted with hardened bevel gears and composite motor housing. Features stop-lock spindle for simple pad/disc loading and unloading. Latching power switch reduces risk of accidental operation. Supplied with Ø170mm backing pad, polishing bonnet, side handle, hand guard and pin spanner.

3. TECHNICAL SPECIFICATIONS

ER1800P.V3	ER2000P.V3
Pad size Ø170mm	Pad size Ø170mm
Thread size M14	Thread size M14
Speed 1800rpm	No load speed 2000/2500rpm
Power (Load/No load) 800W	Power 800/1200W
Power input 230V - 50Hz	Power input 230V - 50Hz
Weight 4.6kg	Weight 4.6kg
Sound Pressure 91dB.A	Sound Pressure 91dB.A
Sound Power 98dB.A	Sound Power 98dB.A



4. CONTENT & ASSEMBLY

4.1. Content

- 4.1.1. Check the contents of the carton with the list below. If any item is missing or damaged contact your supplier immediately.

• Polisher Unit • 170mm Pad • Side Handle • Hand Guard • Pin Spanner

4.2. Assembly

- **WARNING! Ensure polisher is not plugged into mains before attempting any assembly.**

- 4.2.1. Fit side handle and hand guard (fig.1.D & L) into threaded hole (fig.1.G) in polisher. Note that there is a mounting hole on either side to suit the application and/or operator.
- 4.2.2. Remove flange nut from shaft, fit pad on shaft and retain with flange nut (see fig.2).
- 4.2.3. Tighten/loosen flange nut with spanner provided, having locked shaft. To lock shaft press lock button (fig.1.F) whilst rotating shaft by hand. Button will depress further and lock shaft. Keep thumb pressure on button while using spanner.

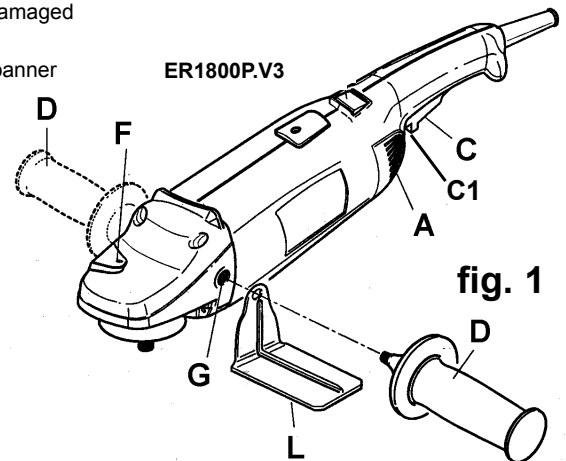


fig. 1

5. OPERATION

- **WARNING! Ensure you read, understand and apply the safety instructions in Section 1.**

5.1. ER1800P.V3

- 5.1.1. Hold the polisher firmly with one hand on the butt grip and the other on the side handle.
- 5.1.2. To start polisher - push forward the safety button (fig.1.C1) and then squeeze the control switch (fig.1.C).
- 5.1.3. Releasing the control switch (C) before releasing the safety button (C1) will result in the control switch being latched in the 'ON' position. To switch off the polisher - squeeze and immediately release the control switch (C).

5.2. ER2000P.V3

- 5.2.1. Select required speed with the two-speed switch (fig.3.E) and then squeeze the control switch (fig.3.C). Press the two-speed switch to the left (I) for low speed and to the right (II) for high speed.
- **DO NOT** attempt to change speed whilst the polisher is operating, always stop the polisher before selecting operating speed.
 - **WARNING! The high speed setting is intended for sanding. If used for polishing an excessive amount of surface material may be removed.**
- 5.2.2. Hold the polisher firmly with one hand on the butt grip and the other on the side handle.
- 5.2.3. To start the polisher - push forward the safety button (fig.3.C1) and then squeeze the control switch (fig.3.C).
- 5.2.4. Releasing the control switch (C) before releasing the safety button (C1) will result in the control switch being latched in the 'ON' position. To switch off the polisher - squeeze and immediately release the control switch (C).

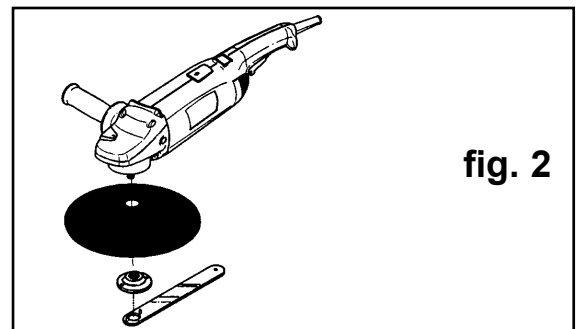


fig. 2

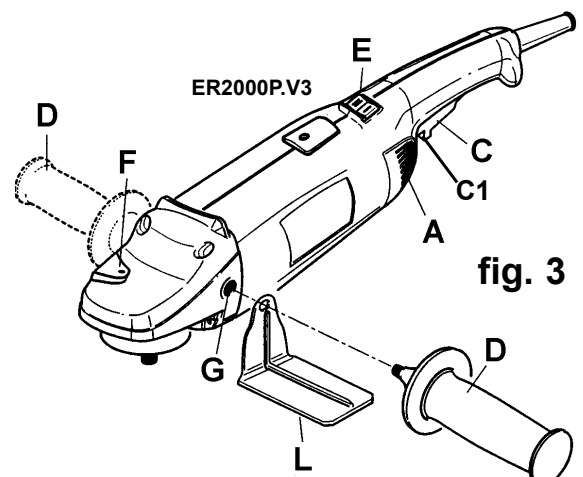


fig. 3

6. MAINTENANCE

- 6.1. Clean regularly by blowing a jet of air through vents to ensure motor ventilation is kept clear. Wear safety goggles when doing so.
- 6.2. The motor brushes must only be changed by an authorised Sealey service agent.
- 6.3. After each 500 hours of use, gearhead grease should be replaced by an authorised Sealey service agent.

7. DECLARATION OF CONFORMITY

Declaration of Conformity We, the sole importer into the UK, declare that the products listed here are in conformity with the following standards and directives.

Heavy Duty Sander/Polisher - ER2000P.V3
Heavy Duty Polisher - ER1800P.V3

73/23/EEC Low Voltage Directive
93/68/EEC CE Marking Directive
98/37/EC Machinery Directive
89/336/EEC EMC Directive
2002/96/EC WEEE Directive
2002/95/EC RoHS Directive



Signed by Mark Sweetman

Date 1st January 2007

The construction files for these products are held by the Manufacturer and may be inspected, by a national authority, upon request to Jack Sealey Ltd.

For Jack Sealey Ltd. Sole importer into the UK of Sealey Power Tools.

Risk of Hand Arm Vibration Injury

ER1800P.V3 & ER2000P.V3 when operated in accordance with these instructions and tested in accordance with EN 28662-1: 1993 results in the following vibration emission declared in accordance with BS EN12096: 1996.

Measured vibration emission value:2.5m/s²

Uncertainty:1m/s²

These values are suitable for comparison with emission levels of other tools that have been subject to the same test.

This tool may cause hand-arm vibration syndrome if its use is inadequately managed.

Recommended Measures to reduce risk of hand-arm vibration syndrome:

This item represents a low Hand Arm Vibration risk to users. The calculated maximum usage period exceeds 8 hours. We recommend appropriate safety equipment is utilised and regular breaks for the operator are employed to reduce any residual risk of fatigue or repetitive strain injury.

LEAD PAINT WARNING! Paint once contained lead as a traditional ingredient. Contact with the dust from the removal of such paint is toxic and must therefore be avoided. The following action must be taken before using **ER2000P.V3** as a sander:

1. User must determine potential hazard relating to age of paint to be removed. (Modern paints do not have lead content).
2. **DANGER!** Keep all persons and pets away from the work area. The following are particularly vulnerable to the effects of lead paint dust: **Expectant women, babies and children.**
3. We recommend personal protection by using the following safety items:
A) Paint Spray Respirator (Sealey ref. SSP1699)
B) PE Coated Hooded Coverall (Sealey ref. SSP266).
C) Latex Gloves (Sealey ref. SSP24).
4. Take adequate measures to contain paint dust, flakes and scrapings. Wear safety equipment, and clean all areas when task is complete.
5. Ensure the paint waste is disposed of, in sealed bags or containers, according to local regulations.

Environmental Protection.



Recycle unwanted materials instead of disposing of them as waste. All tools, accessories and packaging should be sorted, taken to a recycle centre and disposed of in a manner which is compatible with the environment.

When the product is no longer required, it must be disposed of in an environmentally protective way.

NOTE: It is our policy to continually improve products and as such we reserve the right to alter data, specifications and component parts without prior notice.

IMPORTANT: No liability is accepted for incorrect use of product.

WARRANTY: Guarantee is 12 months from purchase date, proof of which will be required for any claim.

INFORMATION: For a copy of our latest catalogue and promotions call us on 01284 757525 and leave your full name and address, including postcode.



Sole UK Distributor
Sealey Group,
Bury St. Edmunds, Suffolk.



01284 757500



01284 703534



www.sealey.co.uk



sales@sealey.co.uk