

Instructions for:
EMERGENCY ESCAPE LADDER:
4.5mtr 2-Storey, 7mtr 3-Storey
 Model No's. **EEL01, EEL02**

Thank you for purchasing a Sealey product. Manufactured to a high standard this product will, if used according to these instructions give complete satisfaction.

IMPORTANT: PLEASE READ THESE INSTRUCTIONS CAREFULLY. NOTE THE SAFE OPERATIONAL REQUIREMENTS, WARNINGS & CAUTIONS. USE THE PRODUCT CORRECTLY AND WITH CARE FOR THE PURPOSE FOR WHICH IT IS INTENDED. FAILURE TO DO SO MAY CAUSE DAMAGE OR SERIOUS PERSONAL INJURY AND WILL INVALIDATE THE WARRANTY. PLEASE KEEP INSTRUCTIONS SAFE FOR FUTURE USE.

1. SAFETY INSTRUCTIONS

- ▲ **This ladder should be treated as an addition to, not a replacement for, existing fire precautions.**
- × **DO NOT** use for any other purpose other than as an emergency escape ladder.
- × **DO NOT** undo securing strap to release rungs unless needed in an emergency situation.
- × **DO NOT** exceed maximum load on ladder.
- ✓ Ensure that your intended landing area is clear of bushes etc and reasonably level.
- ✓ Ensure that you, and all members of the household, are thoroughly familiar with the deployment instructions.
- ✓ Keep in an easily accessible location close to an upstairs window, but not a location accessible to children.
- ✓ Include emergency escape ladder in a pre-formulated escape plan.
- ▲ Check for obstructions such as power cables or telephone wires in the area of the intended escape window.
- ▲ May not be suitable for those with limited mobility.
- ▲ Minimum window width: 410mm (16")
- ▲ Maximum wall thickness below window sill: 345mm (13½")

2. INTRODUCTION

- Lightweight emergency escape ladder.
- Fitted with window hooks for placement over window sills.
- Maximum capacity of 450kg.
- Compact unit is secured with a hook and loop strap which is pulled to unfurl the rungs when in use.
- Fitted with durable anti-slip metal rungs and fire resistant nylon straps.
- Designed for quick and easy use.
- Conforms to EN 131.

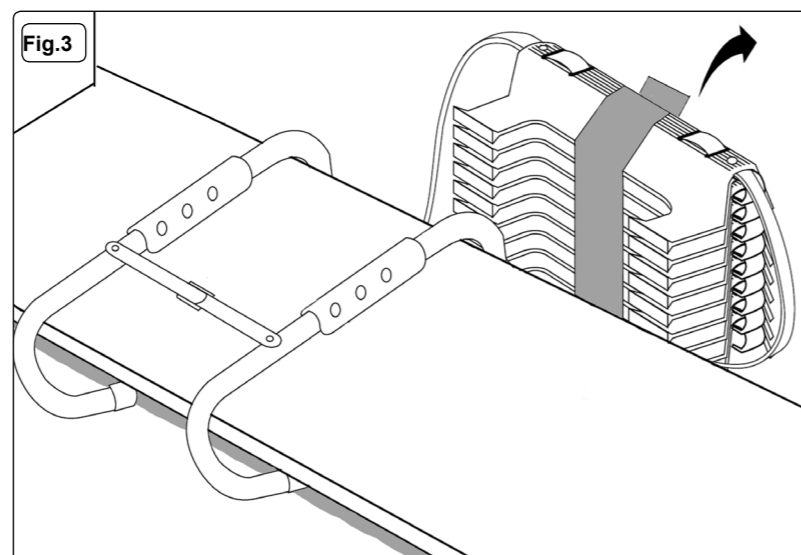


3. SPECIFICATION

Model EEL01
 Maximum Length 4.5mtr/14ft
 Tread Width..... 300mm
 Maximum Capacity 450kg

Model EEL02
 Maximum Length 7mtr/23ft
 Tread Width..... 300mm
 Maximum Capacity 450kg

4. INSTRUCTIONS FOR USE



- ▲ **DO NOT UNPACK LADDER RUNGS EXCEPT IN AN EMERGENCY.**
- 4.1. Open red attachment hooks and spread centre brace (Fig.2).
- 4.2. Place hooks over window sill with attachment for ladder to the outside (fig.3)
- 4.3. With ladder pack outside pull the hook and loop fastening on the black webbing, thereby releasing the rungs.(Figs. 3 & 4)
- 4.4. The ladder is now ready for use (Fig.5) Climb through window, holding on to support hooks to steady oneself.
- 4.5. When descending, keep body close to rungs for greatest stability.
- 4.6. Grip rungs with both hands during descent.



NOTE: It is our policy to continually improve products and as such we reserve the right to alter data, specifications and component parts without prior notice.
IMPORTANT: No liability is accepted for incorrect use of this product.
WARRANTY: Guarantee is 12 months from purchase date, proof of which will be required for any claim.
INFORMATION: For a copy of our latest catalogue and promotions call us on 01284 757525 and leave your full name and address, including postcode.

