



INSTRUCTIONS FOR  
**ELECTROSTART® BATTERYLESS POWER START**  
**800A 12V**  
 MODEL NO: **E/START800HY**

Thank you for purchasing a Sealey product. Manufactured to a high standard, this product will, if used according to these instructions, and properly maintained, give you years of trouble free performance.

**IMPORTANT:** PLEASE READ THESE INSTRUCTIONS CAREFULLY. NOTE THE SAFE OPERATIONAL REQUIREMENTS, WARNINGS & CAUTIONS. USE THE PRODUCT CORRECTLY AND WITH CARE FOR THE PURPOSE FOR WHICH IT IS INTENDED. FAILURE TO DO SO MAY CAUSE DAMAGE AND/OR PERSONAL INJURY AND WILL INVALIDATE THE WARRANTY. KEEP THESE INSTRUCTIONS SAFE FOR FUTURE USE.



Refer to instruction manual



Wear eye protection



Wear protective gloves



Warning: Electricity

## 1. SAFETY

**Modern vehicles contain extensive electronic systems.**

**You are required to check with the vehicle Manufacturer, for any specific instructions regarding the use of this type of equipment on each vehicle. No liability will be accepted for damage / injury, where this product is not used in accordance with all instructions.**

- ✓ Ensure that the vehicle is in a well ventilated area.
  - ✓ Apply the handbrake and select neutral or 'park' before attempting to start.
  - ✓ Ensure that the ignition switch and all ancillary electrical equipment is switched off.
  - ✓ Keep clear of any pulleys, belts etc. that will move once the engine starts.
  - ✓ Take care to ensure correct connection polarity; red clamp to positive, black clamp to negative.
  - ✓ Energise the E/START800HY only at ambient temperatures between -30°C and 40°C.
  - ✓ When not in use, switch off and store in a cool, dry place out of the reach of children.
  - ✗ **DO NOT** allow this power pack to become wet.
  - ✗ **DO NOT** dismantle this E/START800HY: there are no user serviceable parts inside.
  - ✗ **DO NOT** use in explosive atmospheres (e.g. the presence of flammable liquids, gases or dust).
  - ✗ **DO NOT** use the E/START800HY if it appears damaged in any way.
  - ✗ **DO NOT** use this product for any purpose other than that for which it is designed.
  - ✗ **DO NOT** leave in direct sunlight or expose to heat.
  - ✗ **DO NOT** use abrasive or solvent cleaners on this product.
  - ✗ **DO NOT** allow children to play with this product
  - ✗ **DO NOT** allow the positive and negative clamps to touch.
- 1.1. **BATTERY SAFETY**
- ☐ **WARNING!** To reduce the risk of burns or fire:
  - ✗ **DO NOT** attempt to open, disassemble, modify or service the battery pack.
  - ✗ **DO NOT** crush, puncture, short external contacts or dispose of in fire or water.
  - ✗ **DO NOT** expose to temperatures above 60°C (140°).
  - ✓ Replace only with the battery pack designated for this product.
  - ✓ Recycle or dispose of used battery as stipulated by local regulation.
  - ✗ If the electrolyte in the cells gets on your skin, thoroughly wash with soap and water. If it gets in your eyes, rinse thoroughly with cool water and seek immediate medical attention.







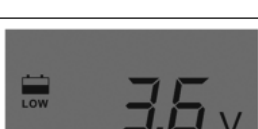


## 2. INTRODUCTION

Vehicle jump starting made easy with innovative patented technology. Unlike traditional boosters it does not require an internal battery as a primary power source but incorporates a lithium battery pack to energise the capacitors when vehicle battery is not sufficient. Simply connect to the vehicle's battery, even if discharged and the unit will draw enough power to energise itself in a matter of minutes. Power can then be pushed safely back through the starting system to jump start the vehicle. If the battery pack is faulty or is holding less than 5 volts the E/START800HY can be pre-charged via an internal lithium battery pack, another vehicle's battery, a Micro USB charging cable or 12V accessory lead. The digital display indicates battery voltage, capacitor charge and faults. The internal battery can hold its charge whilst not in use and without a battery to charge the device is ready to use in a matter of minutes. Compact and lightweight for easier handling and storage, yet still delivers the same result as heavy, lead acid battery equivalents. Ideal for both professional mechanics and DIY users.

## 3. SPECIFICATION

Model no: .....E/START800HY  
 Output: .....12V  
 Output start peak (EN): ..... 900A (450A)  
 Maximum starting capacity:..... petrol 3ltr, diesel 2ltr  
 Cable & clamp length: ..... 500mm  
 Size (W x D x H):..... 130 x 50 x 195mm

## 4. CONTROL PANEL

Fig. 1		Vehicle battery voltage
Fig. 2		Capacitor charging percentage
Fig. 3		As long as the ignition sign appears  E/START is ready for use
Fig. 4		GLOW mode is activated
Fig. 5		Backup battery charge
Fig. 6		Error: Battery is too low to recharge the E/START (backlight is RED)
Fig. 7		Error: Reverse polarity (backlight is RED)
Fig. 8		Error: Internal failure, DO NOT use



## 5. OPERATION

Turn of turn off headlights, air conditioning, audio etc.

### 5.1. STANDARD MODE

- 5.1.1. In most situations the weak battery on the vehicle can fully recharge the E/START.
- 5.1.2. Connect clamps to the battery terminals, E/START will turn on automatically and the display will show the voltage of the vehicle's battery, see fig.1.
- 5.1.3. Press ON/OFF and the E/START starts to recharge itself. The display shows the E/START's percentage, see fig.2.
- 5.1.4. After the ignition sign appears, see fig.3, turn on the engine.

### 5.2. BY PASS MODE

- 5.2.1. In some situations the E/START may fail to start the car because the vehicle's battery is too weak. Press ON/OFF for a few seconds to activate BY PASS MODE.
- 5.2.2. After the ignition sign, fig.3 appears, turn on the engine as soon as possible.

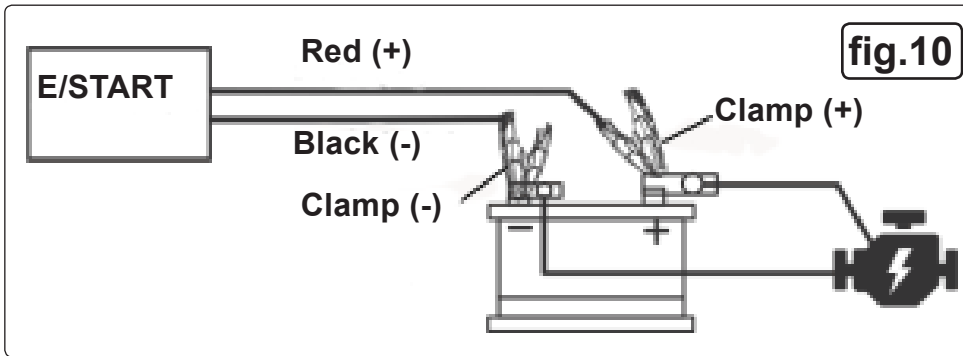
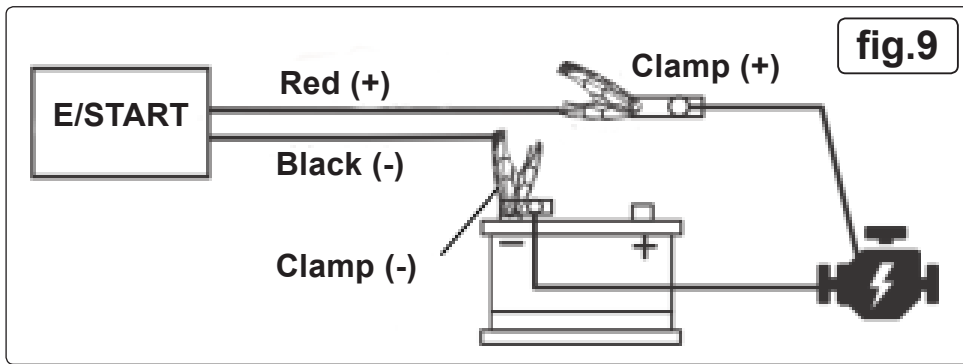
**If the vehicle battery is too low the back up battery automatically recharges the unit.**

### 5.3. PRECHARGE MODE

- 5.3.1. The E/START can be fully recharged by its own back up lithium battery pack, before it is fitted to the vehicle.
- 5.3.2. If the E/START is under 80% of charge, shown on the display, see fig.2, press ON/OFF for a few seconds and the back up battery begins to recharge the E/START.
- 5.3.3. To charge the internal lithium-ion battery, either the 5V USB socket or a 12V accessory lead may be used. The battery charge level is displayed as in fig.5

### 5.4. OVERRIDE MODE

- 5.4.1. The E/START's battery needs to be at 80% of charge or more.
- 5.4.2. Connect E/START to the vehicle with the battery lead disconnected from the battery, POSITIVE E/START lead connected to VEHICLE BATTERY POSITIVE lead, see fig.9.
- 5.4.3. Press the ON/OFF for a few seconds to activate OVERRIDE MODE.
- 5.4.4. Turn on the engine.
- 5.4.5. Put the POSITIVE E/START LEAD and VEHICLE BATTERY POSITIVE onto the BATTERY POSITIVE TERMINAL. Remove the E/START's POSITIVE lead after it is fastened to the battery terminal, see fig.10.



- 5.5. **GLOW MODE** (Only use if the glow plug symbol appears on the vehicle instrument panel)
- 5.5.1. In cold weather the glow plugs in most diesel vehicles will be first energised to heat up the engine before it is started, as indicated by a symbol on the instrument panel.
- 5.5.2. If this is the case, after the E/START is fully recharged and connected to the vehicle, press GLOW button and turn on the ignition.  
Note: GLOW is INACTIVATED in OVERRIDE mode (5.3.3 above).
- 5.6. **LED WORKING LIGHT**
- 5.6.1. Press the light button to turn on/off.
- 5.7. **RECHARGE BACKUP BATTERY**
- 5.7.1. Use the micro USB or the 12V accessory cable to recharge the back up battery after each use or once a year.
- 5.8. **Duty Cycle**
- 5.8.1. After 5 starts let the unit rest for 15 minutes.
- 5.8.2. Turn off headlights, air conditioning, audio etc.
- 5.9. **BUZZER**
- 5.9.1. Intermittent buzzing indicates the E/START is ready to start vehicles.
- 5.9.2. Continuous buzzing means there is an error.

## 6. MAINTENANCE

- 6.1. Replace battery pack by unscrewing door on rear of E/START and disconnect wiring plug.



### ENVIRONMENT PROTECTION

Recycle unwanted materials instead of disposing of them as waste. All tools, accessories and packaging should be sorted, taken to a recycling centre and disposed of in a manner which is compatible with the environment. When the product becomes completely unserviceable and requires disposal, drain any fluids (if applicable) into approved containers and dispose of the product and fluids according to local regulations.



### WEEE REGULATIONS

Dispose of this product at the end of its working life in compliance with the EU Directive on Waste Electrical and Electronic Equipment (WEEE). When the product is no longer required, it must be disposed of in an environmentally protective way. Contact your local solid waste authority for recycling information.



### BATTERY REMOVAL (see section 6.1.).

Under the Waste Batteries and Accumulators Regulations 2009, Jack Sealey Ltd are required to inform potential purchasers of products containing batteries (as defined within these regulations), that they are registered with Valpak's registered compliance scheme. Jack Sealey Ltd Batteries Producer Registration Number (BPRN) is BPRN00705.

**Note:** It is our policy to continually improve products and as such we reserve the right to alter data, specifications and component parts without prior notice.

**Important:** No Liability is accepted for incorrect use of this product.

**Warranty:** Guarantee is 12 months from purchase date, proof of which is required for any claim.

Sealey Group, Kempson Way, Suffolk Business Park, Bury St Edmunds, Suffolk. IP32 7AR



01284 757500



01284 703534



sales@sealey.co.uk



www.sealey.co.uk