



MOTORCYCLE ALARM DISC LOCK

MODEL NO: DL505 DL5052

Thank you for purchasing a Sealey product. Manufactured to a high standard, this product will, if used according to these instructions, and properly maintained, give you years of trouble free performance.

IMPORTANT: PLEASE READ THESE INSTRUCTIONS CAREFULLY. NOTE THE SAFE OPERATIONAL REQUIREMENTS, WARNINGS & CAUTIONS. USE THE PRODUCT CORRECTLY AND WITH CARE FOR THE PURPOSE FOR WHICH IT IS INTENDED. FAILURE TO DO SO MAY CAUSE DAMAGE AND/OR PERSONAL INJURY AND WILL INVALIDATE THE WARRANTY. KEEP THESE INSTRUCTIONS SAFE FOR FUTURE USE.



Refer to
instruction
manual

1. SAFETY

1.1. GENERAL SAFETY

- WARNING!** Remember to remove the disc lock from the wheel when returning to your motorcycle.
- WARNING! DO NOT** ride off with the disc lock still attached.
- * **DO NOT** allow children to play with the disc lock.

1.2. BATTERY SAFETY

- WARNING!** To reduce the risk of burns or fire:
 - * **DO NOT** attempt to open, disassemble, modify or service the battery.
 - * **DO NOT** crush, puncture, short external contacts or dispose of in fire or water.
 - * **DO NOT** expose to temperatures above 60°C (140°F).
- ✓ Recycle or dispose of used battery as stipulated by local regulation.
- ✓ If the electrolyte in the cells gets on your skin, thoroughly wash with soap and water. If it gets in your eyes, rinse thoroughly with cool water and seek immediate medical attention.

2. INTRODUCTION

100db alarm sounds if the lock is shocked or attacked. Hardened locking pin and impact resistant body. Suitable for all vehicles with disc brakes, for example most motorcycles, bikes, and E-bikes. Very quick and easy to apply. Will withstand knocks, bumps and is weather resistant.

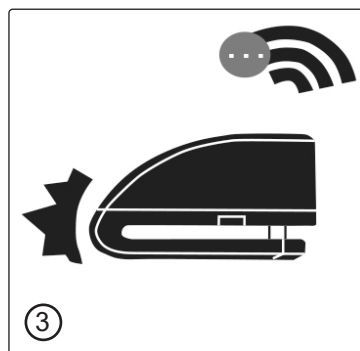
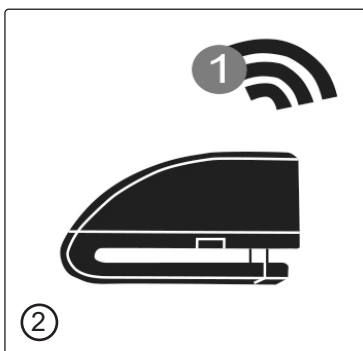
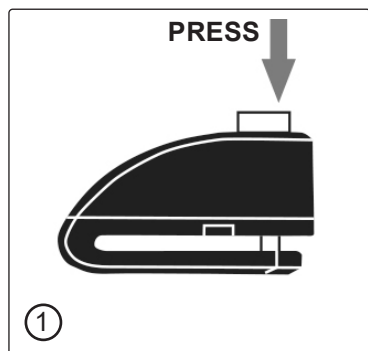
3. SPECIFICATION

Model No:	DL505	DL5052
Nett Weight:	0.28kg	0.56kg
Battery:	6 x LR44	

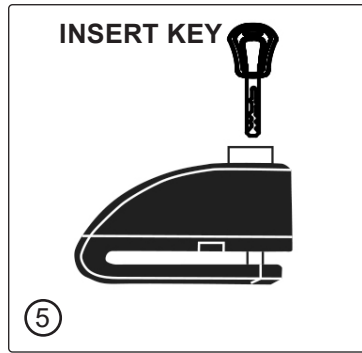
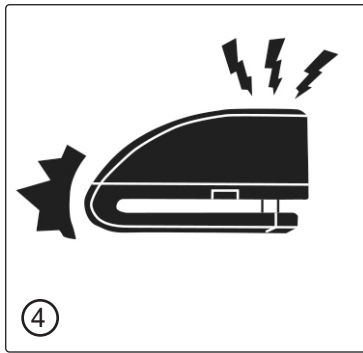
4. OPERATION

4.1. SETTING THE ALARM

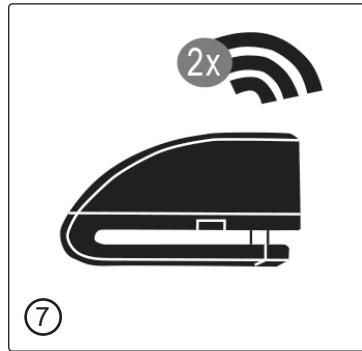
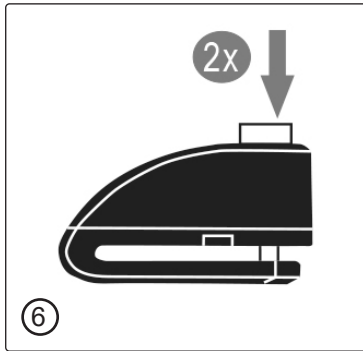
1. To set the alarm mode, press down on the key barrel inserting it into the case of the disc lock as shown in illustration 1. The disk lock will beep once to indicate the alarm is on.
2. The disk lock will beep for a further 3 seconds straight after the first beep, this indicates the alarm is armed.
3. Upon forced tampering, the disk lock will first emit a warning sound.



4. If tampering persists, the disc lock will activate it's alarm for 10 seconds. See illustration on next page.
5. To disarm the alarm, insert key into barrel to unlock disc lock. See illustration on next page.

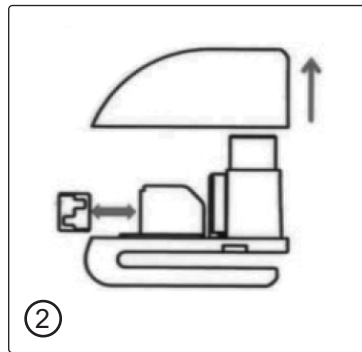
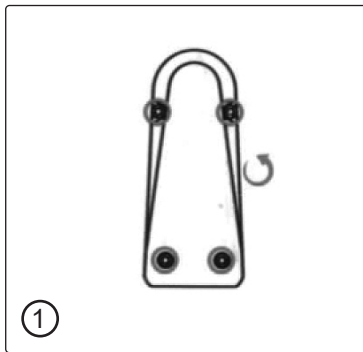


4.2. SILENT MODE (OPTIONAL)



6. To turn off the alarm, press the key barrel twice within 3 seconds.
 7. The disc lock will beep twice to indicate that the alarm is off.

4.3. CHANGING THE BATTERY



1. Remove the 4 hex screws from the base of the disc lock.
 2. Remove top cover, and replace battery as shown in the above illustration.



ENVIRONMENT PROTECTION

Recycle unwanted materials instead of disposing of them as waste. All tools, accessories and packaging should be sorted, taken to a recycling centre and disposed of in a manner which is compatible with the environment. When the product becomes completely unserviceable and requires disposal, drain any fluids (if applicable) into approved containers and dispose of the product and fluids according to local regulations.



REGISTER YOUR PURCHASE HERE



WEEE REGULATIONS

Dispose of this product at the end of its working life in compliance with the EU Directive on Waste Electrical and Electronic Equipment (WEEE). When the product is no longer required, it must be disposed of in an environmentally protective way. Contact your local solid waste authority for recycling information.



Li-ion

BATTERY REMOVAL

Under the Waste Batteries and Accumulators Regulations 2009, Jack Sealey Ltd are required to inform potential purchasers of products containing batteries (as defined within these regulations), that they are registered with Valpak's registered compliance scheme. Jack Sealey Ltd's Batteries Producer Registration Number (BPRN) is BPRN00705.

Note: It is our policy to continually improve products and as such we reserve the right to alter data, specifications and component parts without prior notice.

Important: No Liability is accepted for incorrect use of this product.

Warranty: Guarantee is 12 months from purchase date, proof of which is required for any claim.

Sealey Group, Kempson Way, Suffolk Business Park, Bury St Edmunds, Suffolk. IP32 7AR

01284 757500

sales@sealey.co.uk

www.sealey.co.uk