



25ft Deluxe Steel Frame Swimming Pool, Rectangular with Step Ladder, Filter Pump



Model No. DL151

Thank you for purchasing a Dellonda product. Manufactured to a high standard, this product will, if used according to these instructions, and properly maintained, give you years of trouble free performance.

Important Information

Please read these instructions carefully. Note the safe operational requirements, warnings & cautions. Use the product correctly and with care for the purpose for which it is intended. Failure to do so may cause damage and/or personal injury and will invalidate the warranty. Keep these instructions safe for future use.



Refer to instruction manual



No diving

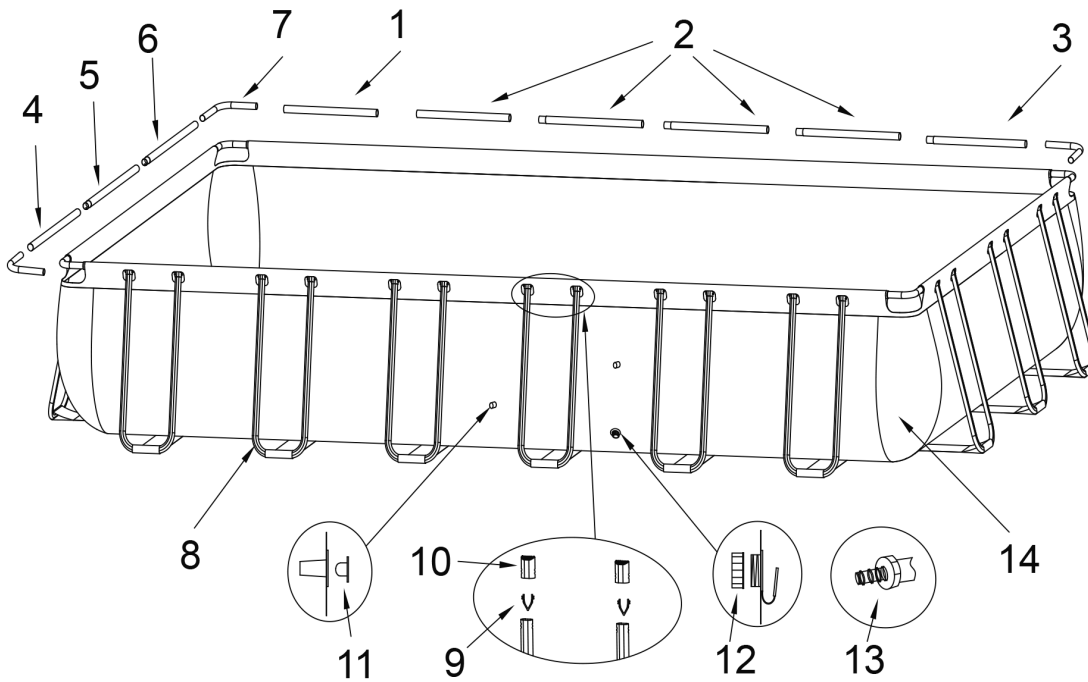


Wear personal flotation devices



Keep children under supervision in the aquatic environment

Contents



	NAME	QTY
1	Horizontal beam 1	2
2	Horizontal beam 2	8
3	Horizontal beam 3	2
4	Horizontal beam 4	2
5	Horizontal beam 5	2
6	Horizontal beam 6	2
7	L-tube	4
8	U-tube	18
9	Plastic spring pin	36
10	U-tube joint	36
11	Drainage valve cover	1
12	Drainage valve connector	1
13	Stopper	2
14	Pool liner	1

Safety Instructions

- **ELECTRICAL SAFETY**
- **WARNING! REFER TO AND FULLY COMPLY WITH THE ELECTRICAL AND SAFETY INSTRUCTIONS IN THE ENCLOSED FILTER PUMP MANUAL.**
- **WARNING! The pool must be accessible to a 110 or 230V AC outlet protected by a Ground Fault Circuit Interrupter.**
- **The pool should be set no closer than 2m to the power source, but no further than the length of the filler pump cord. Under no circumstances should an extension cord be used to extend the range of the connection.**
- **GENERAL SAFETY**
- **WARNING! Carefully read, understand, and follow all information in this user manual before installing and using the swimming pool. These warnings, instructions, and safety guidelines address some common risks of water recreation, but they cannot cover all risks and dangers in all cases. Always use caution, common sense, and good judgment when enjoying any water activity. Please read carefully and keep for future reference.**
- **WARNING! The use of a swimming pool implies compliance with the safety instructions described in the operating and maintenance guide. In order to prevent drowning or other serious injuries, pay particular attention to the possibility of unexpected access to the swimming pool by children under 5 by securing the access to it, and, during the bathing period, keep them under constant adult supervision.**
- **Non-swimmers safety**
- Continuous, active, and vigilant supervision of weak swimmers and non-swimmers by a competent adult is required at all times (remembering that children under five are at the highest risk of drowning).
- Designate a competent adult to supervise the pool each time it is being used.
- Weak swimmers or non-swimmers should wear personal protection equipment when using the pool.
- When the pool is not in use, or unsupervised, remove all toys from the swimming pool and its surrounding to avoid attracting children to the pool.
- **SAFETY DEVICES**
- 1). It is recommended to install a barrier (and secure all doors and windows, where applicable) to prevent unauthorized access to the swimming pool;
- 2). Barriers, pool covers, pool alarms, or similar safety devices are helpful aids, but they are not substitutes for continuous and competent adult supervision.
- **SAFETY EQUIPMENT**
- It is recommended to keep rescue equipment (e.g. a ring buoy) by the pool.
- Keep a working phone and a list of emergency numbers by the pool.
- **SAFE USE OF THE POOL**
- Encourage all users especially children to learn how to swim;
- Instruct all pool users, including children, what to do in case of an emergency;
- Never dive into any shallow body of water. This can lead to serious injury or death;
- Encourage all users especially children to learn how to swim.
- Learn Basic Life Support (Cardiopulmonary Resuscitation - **CPR**) and refresh this knowledge regularly. This can make a lifesaving difference in the event of an emergency;
- **DO NOT** use the swimming pool when using alcohol or medication that may impair your ability to safely use the pool.
- When pool covers are used, remove them completely from the water surface before entering the pool.
- Protect pool occupants from water related illnesses by keeping the pool water treated and practicing good hygiene. Consult the water treatment guidelines in the user's manual;
- Store chemicals (e.g. water treatment, cleaning or disinfection products) out of the reach of children.
- Use the signage as outlined on below.



No diving



Wear personal flotation devices



Keep children under supervision in the aquatic environment

- This safety sign must be posted in a prominent visible position within 2 m of the pool. Alternatively you may purchase a vinyl base glue (not included) to glue the sign to the pool wall next to the entry and exit point, assuring it is prominently visible to all users when approaching the pool.
- Removable ladders shall be placed on a horizontal surface. Ladders must not be used for another purpose.
- **WARNING! a drained pool outdoors may cause unknown hazards.**
- **WARNING! Installation and assembly shall be done by adults.**
- **WARNING! Read and follow the instruction for use and maintenance to ensure a safe use of the swimming-pool kit. Not following the instructions for use and maintenance can cause serious health hazards, in particular for children.**
- **WARNING! Only for domestic outdoor use.**
- **WARNING! Drowning hazard. Children have drowned in portable swimming-pools.**
- **WARNING! Empty the pool when not in use. DO NOT leave a small pool empty outdoors.**
- **WARNING! Keep children under supervision in the aquatic environment.**
- **WARNING! No diving.**

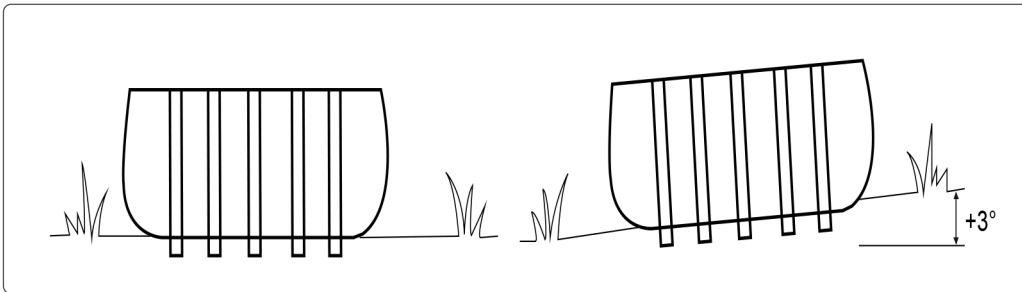
Ladder Safety

- This ladder is designed and manufactured for a specific pool wall height and/or deck of the pool.
- One person on the ladder/stair at a time.
- For entry/exit of pool, face the ladder at all times.
- To prevent entrapment or drowning do not swim through, behind, or around ladder.
- You must place ladder on level, firm ground.
- The ladder **MUST** be installed as per manufacturer's instructions.
- **DO NOT** play on the ladder.
- Only climb on ladder using footsteps.
- **DO NOT** use the ladder for any purpose other than that for which it was intended.
- Make sure ladder is fully assembled according to instructions.
- **DANGER! METAL CONDUCTS ELECTRICITY! DO NOT** allow ladder to come into contact with live electrical wires.
- Remove ladder from pool immediately after use. Store ladder in a secure place where it is not accessible to children.
- **IMPORTANT** :The max. load capacity is 150kg
- Always check ladder assembly screws and retention clips, splinters or any sharp edges before use.

- REMOVE AND SECURE LADDER WHEN POOL IS NOT OCCUPIED

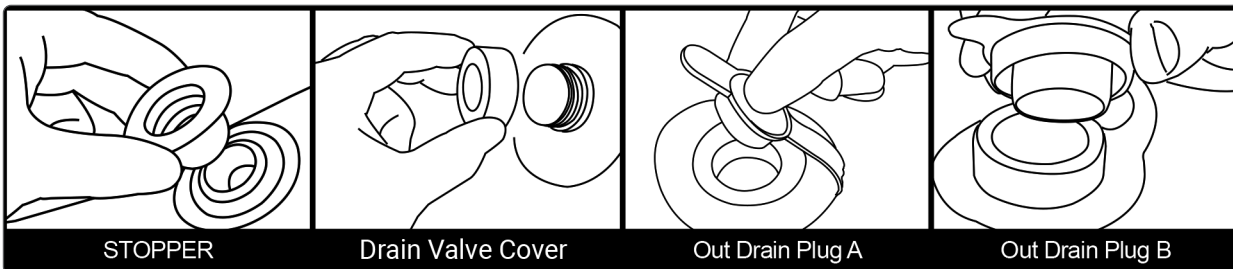
Site Selection

- **WARNING!** Pools installed on inadequately level surfaces are subject to leaking, forming irregularities, or collapse, which can result in property damage or serious injury for those in or around the pool area!
- **WARNING! DO NOT** use sand during setup process. If it appears that there is a need for use of a "leveling agent", then your set-up site is likely unsuitable.
- **FAILURE TO OBEY THIS WARNING MAY RESULT IN SERIOUS PERSONAL INJURY.**
- **CAUTION:** Please choose your set-up area carefully, as lawn and other vegetation underneath the ground cloth (if applicable) will die. Furthermore, try to avoid setting the ground cloth (if applicable) in areas prone to aggressive plant and weed species, as they may grow through the ground cloth.
- **CAUTION:** The pool must be accessible to a 110 or 230-volt **AC** outlet protected by a Ground Fault Circuit Interrupter (**GFCI**). The pool should be set no closer than 2m to the power source, but no further than the length of the filter pump cord. Under no circumstances should an extension cord be used to extend the range of the connection.
- It is absolutely essential to select a suitable site for your pool **BEFORE** attempting to fill it with any water. Please select a set-up site which strictly conforms to the following guidelines:
 1. Ensure that the area is firm, flat (no bumps or mounds of earth) and extremely level, with a grade not exceeding 3° of slope at any point in the set-up area.
 2. Make sure that the area you have selected to set-up the pool is completely free of sticks, stones, sharp objects or other foreign debris.
 3. Select an area that is not directly underneath overhead power lines or trees. Additionally, make sure that the pool set-up area does not contain underground utility pipes, lines, or cables of any kind.
 4. If a ground cloth is provided with your pool kit, its use is highly recommended. The ground cloth will help protect the pool liner from damage due to weed growth, sharp objects, and debris.
 5. If at all possible, choose an open location on your property that is exposed to direct sunlight. This will help to warm your pool.

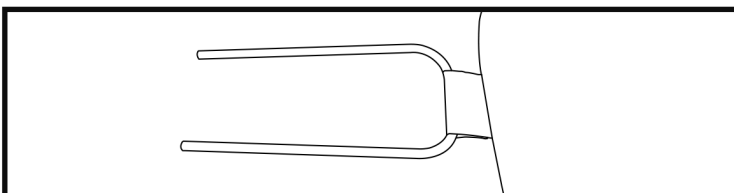


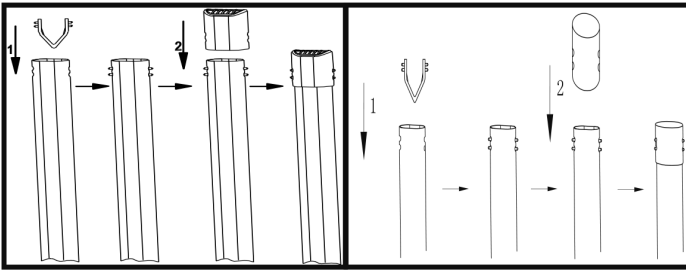
Pool Setup

- **IMPORTANT: DO NOT** start assembly if any pieces are missing. For replacement pieces contact Dellonda.
- The number of persons required for installation: 2 adult at least.
- Total installation time except the time for site preparation and water filling : 45 minutes
- **Step 1. ACCOUNT FOR ALL PARTS.**
- Remove all the parts from the carton(s) and place them on the ground in the location where they are to be assembled.
- Check each part according to "**CONTENTS PAGE**" Make sure all the pieces to be assembled are accounted for.
- **IMPORTANT: DO NOT** start assembly if any pieces are missing. For replacement pieces call Dellonda.
- **Step 2. INSTALL DRAIN VALVE COVERS AND STOPPER**
- Make sure that the outer drain plug is inserted into the outer drain cap and the drain valve cover is screwed on tightly. Plug the connection holes with the stoppers. (The outer drain plug changes according to different size of pool.)



- **Step 3. INSTALL THE U-TUBES**
- Slide each U tube through the loops.

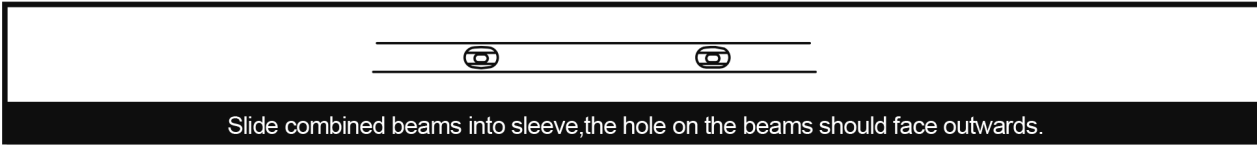
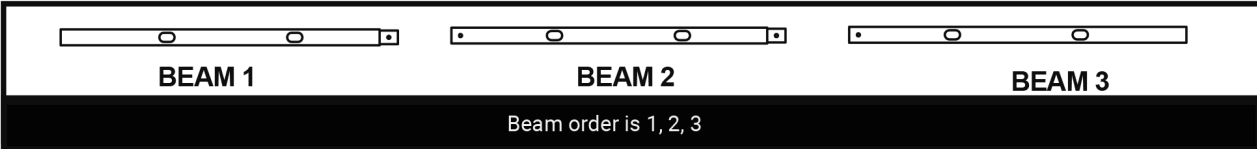




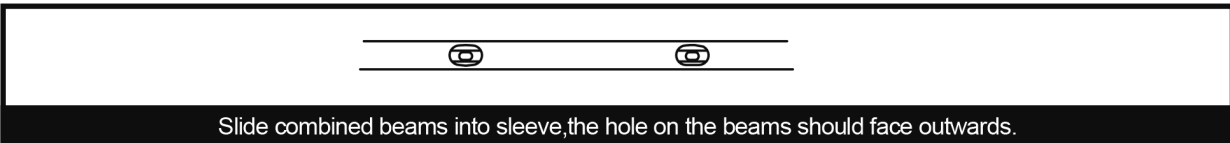
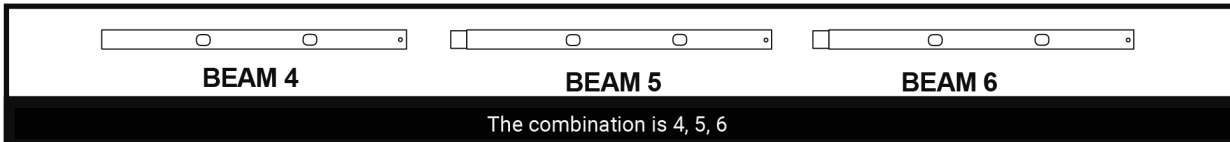
1. Insert Plastic Spring Pin into the U tube. When the locks on the Plastic Spring Pin fit the holes on the edge of the U tube. It is properly installed.
2. Insert U-Tube Joint into the U tube. When the locks on the edge of the U tube fit the holes on U-Tube Joint. It is properly installed.

• **Step 4. INSTALL HORIZONTAL BEAM**

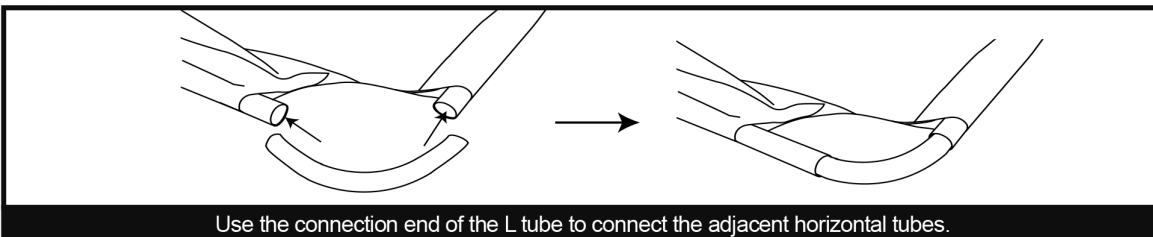
- For the long side sleeve of the pool:



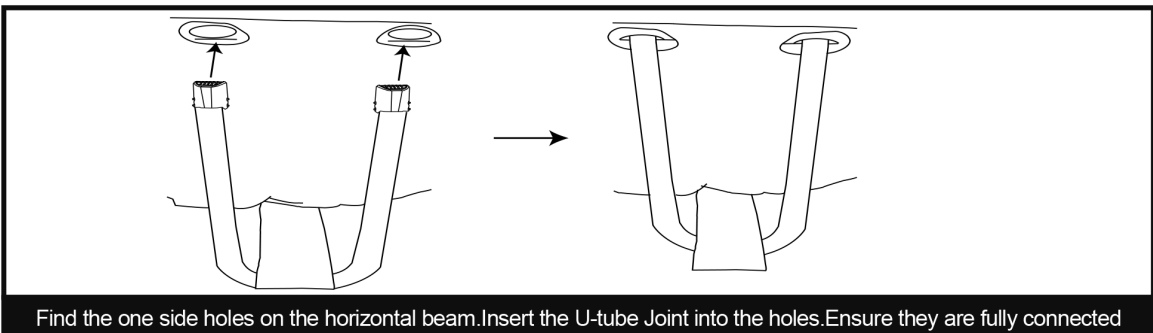
- For the short side sleeve of the pool:



Step 5. INSTALL HORIZONTAL BEAM AND L-TUBE

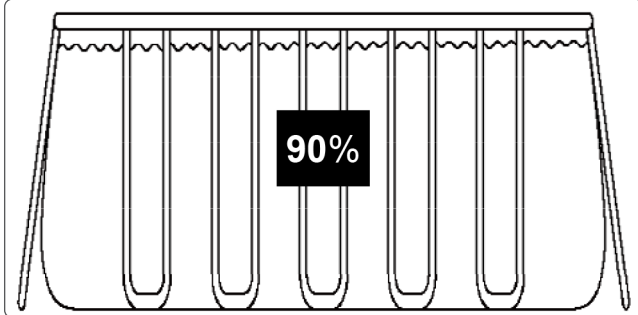


• **Step 6. INSTALL HORIZONTAL BEAM AND U-TUBES**












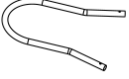




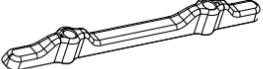
Fill The Pool With Water

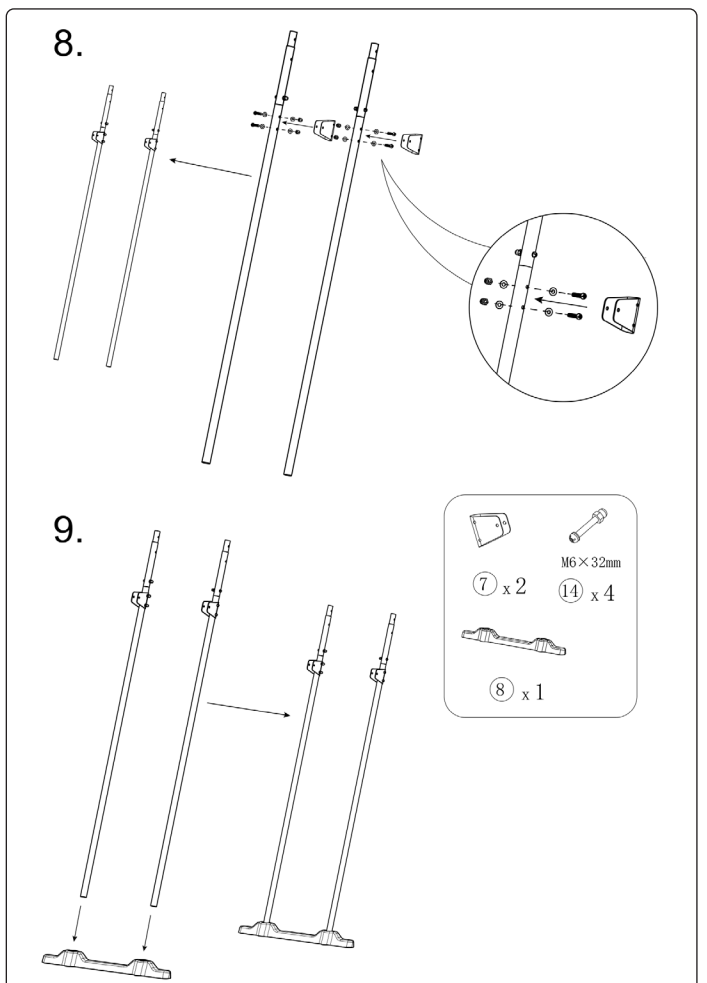
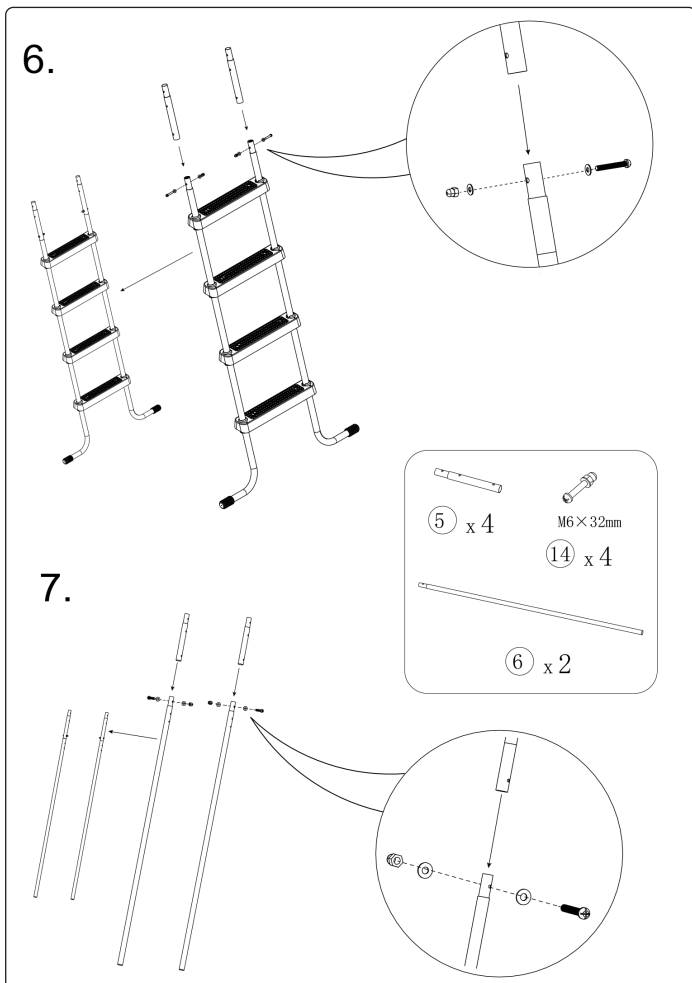
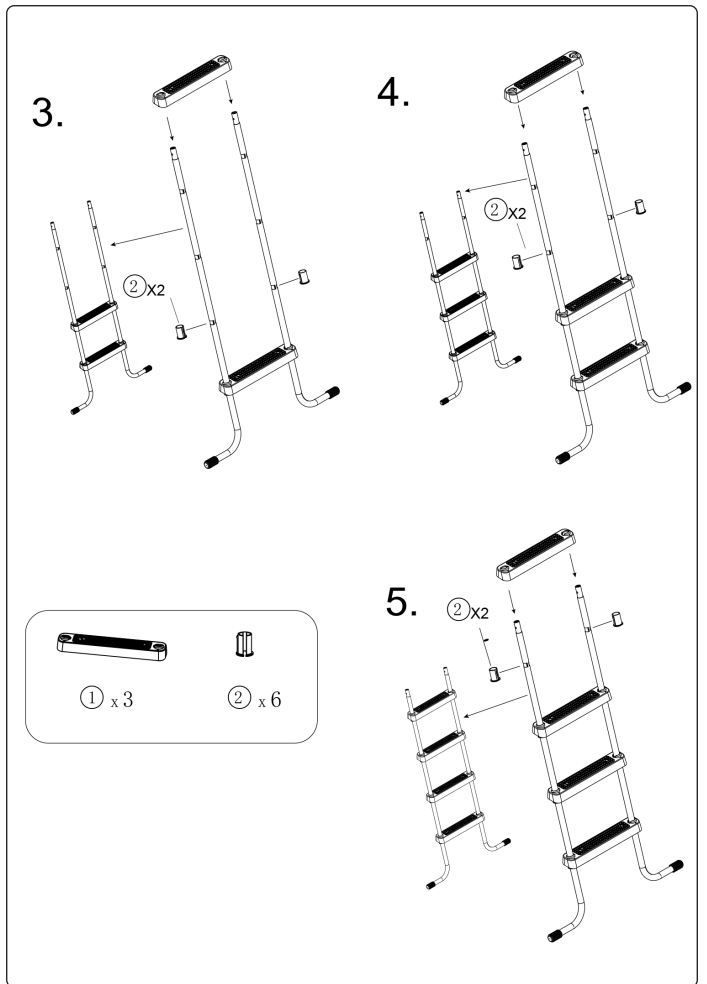
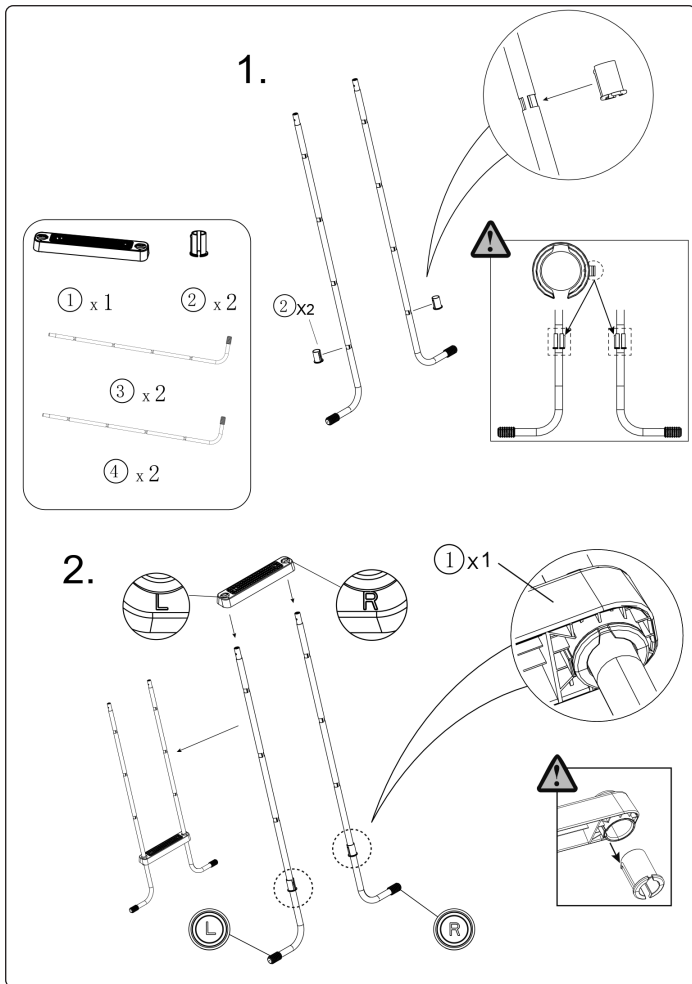
- **WARNING! DO NOT** leave pool unattended while filling with water.
- **WARNING!** If more than 1~2 inches of water collects on any one side before you start filling in the centre, the pool is not level enough, and must be corrected! Pull out the drain plug, release the water completely, disassemble the pool completely, locate the pool on a level surface, repeat set up instruction.
- **WARNING! DO NOT OVERFILL** as this could cause the pool to collapse. In times of heavy rainfall you may need to empty some of the water to ensure the level is correct.
- 1. Make sure the drain fitting is plugged securely and the cap is in place. Start filling the pool with water. After about 1-inch of water is on the bottom, stop filling and smooth wrinkles out of the bottom of the pool. Pull the outer wall out from the top edge, all around the bottom of the pool, so that it fills evenly.
- 2. Continue filling the pool until water level is reached as shown in the below picture.

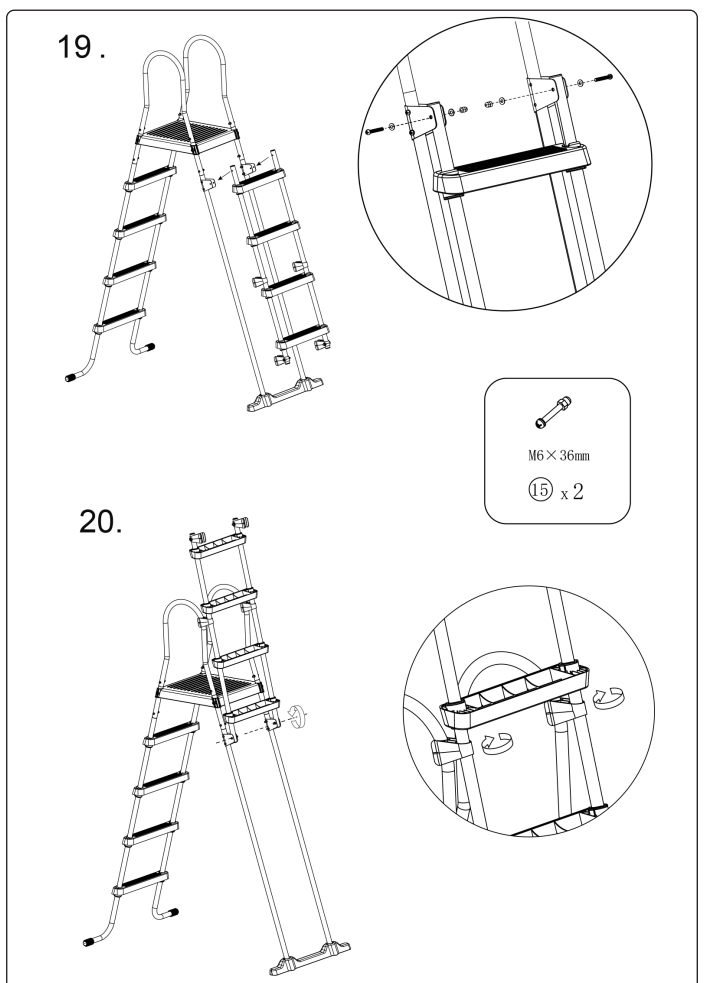
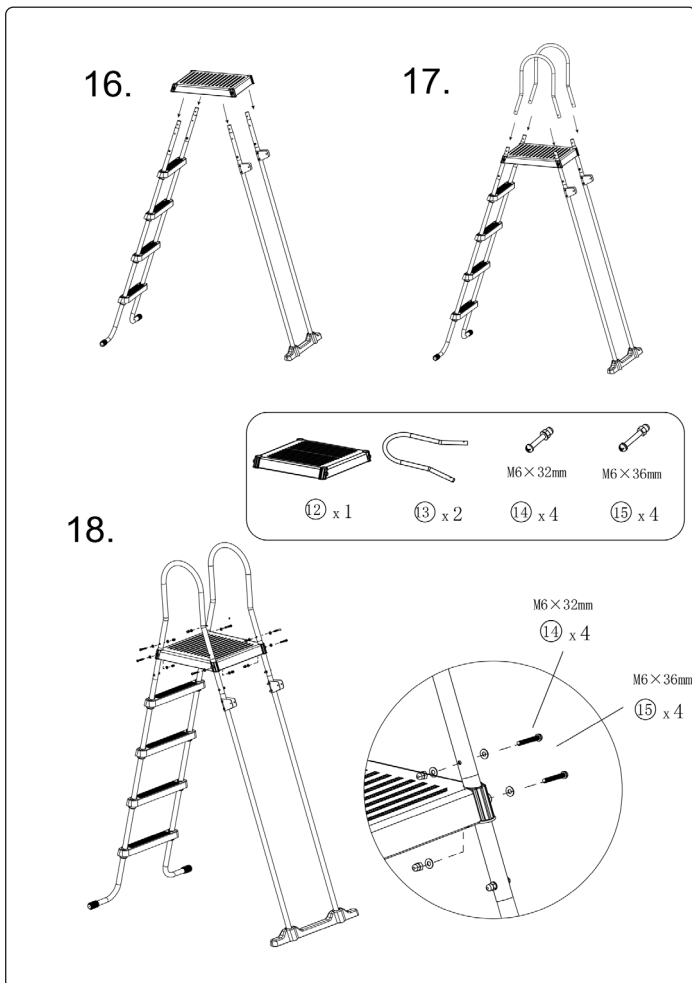
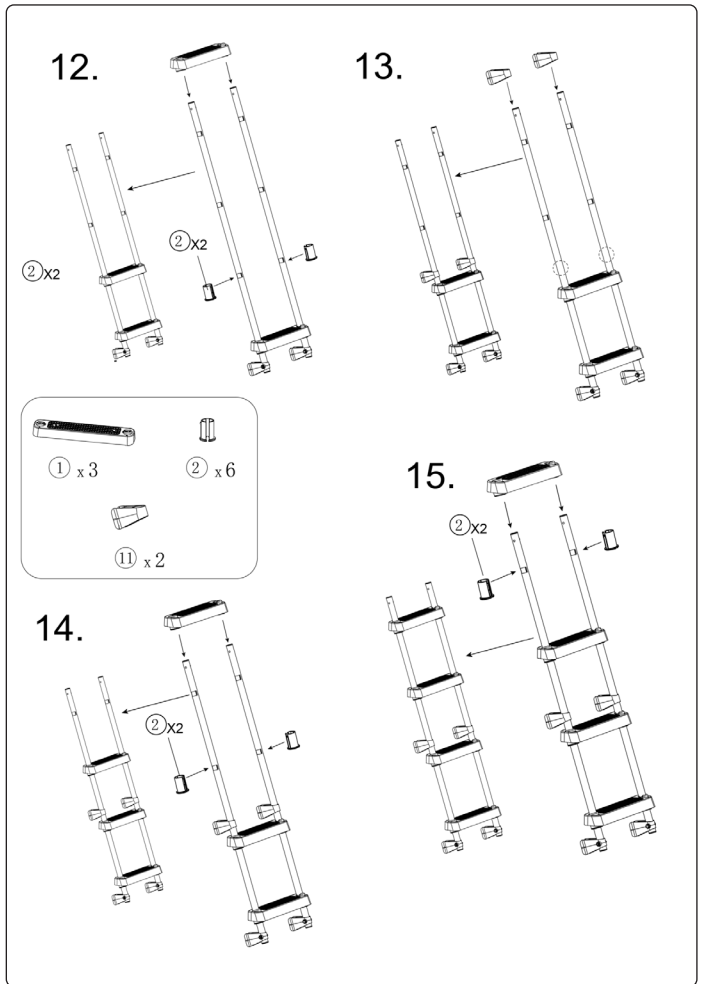
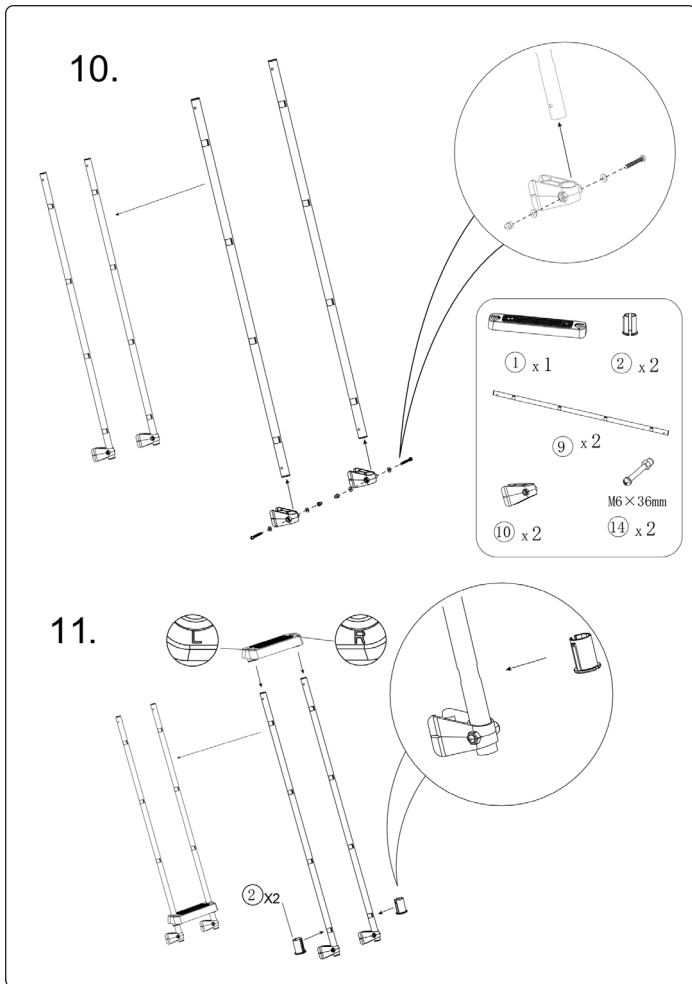


Ladder

• CONTENTS

①		x8	⑨		x2
②		x16	⑩		x2
③		x1 L	⑪		x2
④		x1 R	⑫		x1
⑤		x4	⑬		x2
⑥		x2	⑭		x8 M6 × 32mm
⑦		x2	⑮		x12 M6 × 36mm
⑧		x1			





• **IMPORTANT** When not in use the steps **MUST** be folded up as per the raised image (20) above. This is an important safety feature to prevent children from accessing the pool.

Winter and Long-Term Storage

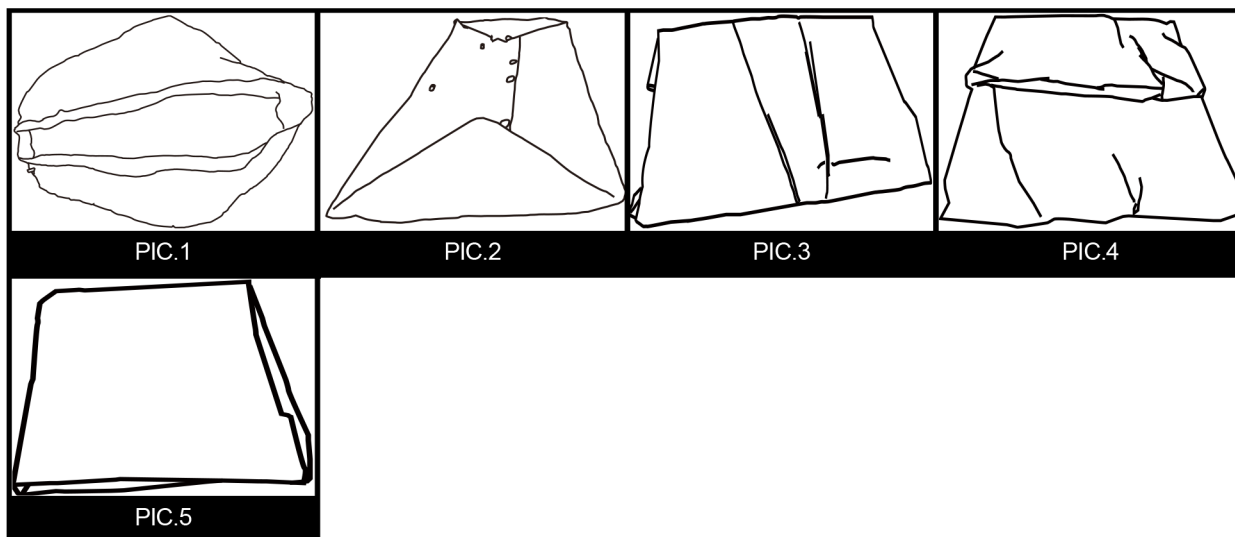
- **WARNING! DO NOT** let your children stand at the outlet and face the water outlet during drainage. The water current may sweep children away.
- **WARNING!** Pool should be stored in a cool and dry place, with no sharp objects around, and no heavy objects lying above, which may cause damage to the pool.
- **STEP 1.** If you have a filter pump, disconnect from the mains.
- **STEP 2.** Check to ensure that the outlet plug is firmly inserted on the inside of the pool.
- **STEP 3.** Attach your garden hose to the drainage valve connector, and place the other end of the hose in an area where the water can drain safely, such as a storm drain or street gutter. Remember that because water always finds its own level, the end of the hose must be lower in elevation than the pool to ensure complete drainage.
- **STEP 4.** If you have a filter pump fitted, insert the stopper into the inlet and outlet fixtures, on the inside of the pool, and then disconnect the filter pump hoses.
- **STEP 5.** Attach the drainage valve connector to the drain outlet by turning connector in a clockwise direction.
- **STEP 6.** Open the outlet plug on the inside of the pool and the water will begin to drain immediately.
- **STEP 7.** Disconnect the hose and drainage valve connector when finished.
- **STEP 8.** Replace the outlet plug on the inside of the pool.
- **STEP 9.** Be sure that the pool liner is completely dry before folding the pool for long-term storage. Leaving the pool exposed to sunlight for a few hours will clean and speed the drying process and make it easier to fold the pool for storage. (Never attempt to fold or stow a pool that is not completely dry as this could lead to a proliferation of mould or mildew build-up during the time the pool is in storage.)
- **STEP 10.** Remember, proper off-season storage is critical to protect your investment in your pool (especially in winter). Once drained and dry, your pool should be carefully folded and wrapped in a ground cloth (if available) or other similar protective tarp-like material. The pool and all applicable accessories such as the pump, cover, ground cloth, ladder, hoses, clamps, and hardware should be kept together and stored indoors, in a reasonably warm, dry and weatherproof location.

Maintenance and Storage of Ladder

- Store ladder in a safe and dry place.
- Never store any materials on the ladder.
- Keep ladder clean and free of all foreign materials.
- Carry out periodic maintenance on screws, when the ladder is not in use, put some anti-rust oil on them.
- **DO NOT** use ladder in temperatures below -5°C.
- Remove pool ladder from swimming pool during the off season (winter months). Disassemble all the components and dry thoroughly. Store out of children's reach.

Pool Folding Instructions

- Before folding, it's better to dry all parts of the pool completely by lying them in the sun for one hour or so. (PIC.1). Then, spread some talcum powder to prevent the vinyl from sticking together.
- **STEP 1.** Please fold the protrusion sides inside to create a rectangle shape. (PIC.2).
- **STEP 2.** Fold each half of the rectangle to create a smaller rectangle shape. (PIC.3).
- **STEP 3.** Fold each end backwards. (PIC.4).
- **STEP 4.** Fold the ends together to create an ultimate rectangle (PIC.5).
- **TIPS 1.** Please remove air inside to make the folded pool thin and flat.
- **TIPS 2.** The original packing can be used for storage.



In-Season Pool Maintenance and Water Care

- **WARNING!** If applicable, the filter pump included with your pool is designed to remove dirt and other small particles from your pool water. However, to maintain pool water that is perfectly clear, algae free, and safe from harmful bacteria, it is **VERY IMPORTANT TO ENGAGE IN A CONSISTENT REGIMENT OF CHEMICAL TREATMENT.** Contact your local pool supply retailer for guidance on the safe and effective use of chlorine, shock algaecide and other such chemicals.
- **WARNING!** To avoid skin and eye irritation or even injury to bathers, never add chemicals to the pool while it is occupied. Never add any chemicals or substances to your pool if you cannot verify the exact quantity or type to add to the water. Consult a pool retailer for specific instructions and guidelines concerning the use of chemicals in your pool.
- **WARNING!** It is highly recommended that pool owners frequently test their pool water to ensure that the pH and chlorine concentration in the water is optimal for safe and enjoyable bathing throughout the season. Please consult your pool retailer to find a suitable testing kit and instructions on its use.
- **WARNING! Non-respect of the maintenance rules may result in serious hazards for health and especially for children.**
- This product is designed to be a storable, seasonal pool. If you live in a temperate area in which the pool will not be in use year-round, it is **STRONGLY RECOMMENDED** that you drain your pool, clean and dry it thoroughly, and store it in a protected area for the off-season. This will help extend the life of your pool and prevent a safety hazard from developing while the pool is not in use. During the season of use of the pool kit, the filtration system must be put into service each day, long enough to ensure at least a complete renewal of the volume of water.
- In order to keep your pool water clean and hygienic all season long please closely adhere to the following guidelines:
 - **A:** The proper and consistent use of basic pool chemicals are required to maintain the proper pH balance in your pool water.
 - Furthermore, the application of chemicals will help prevent the growth of harmful bacteria or algae in your pool, and assist your filter-pump in keeping your water crystal clear. Chemicals that your pool may require include but are not limited to:
 - **1) Tabular, Granular, or Liquid Chlorine:** Disinfects pool water and inhibits algae growth.
 - **2) PH Adjusting Chemicals:** These are used to correct **PH** levels and make water more or less acidic.
 - **3) Algaecides:** These chemicals are formulated to remove algae.
 - **4) "Shock" (Super chlorinator):** Eliminates certain organic and other combination compounds that can affect water clarity.
- In order to obtain specific details on the use of chemicals, please consult a local pool retailer and provide them with the volume of water in your specific pool, and if desired, a sample of your pool water. This will enable them to properly instruct you on: 1) which chemicals to purchase, 2) what quantities of chemicals to purchase, and 3) how to use specific chemicals safely and effectively.
- **B:** Never let chlorine come into direct contact with the pool liner until it has completely dissolved. This means that granular or tabulated chlorine is first dissolved in a bucket of water before applying to pool water, and likewise, liquid chlorine is slowly and evenly poured into pool water from various locations around the pool perimeter.
- **DANGER: NEVER** add water to chemicals. **INSTEAD,** always add chemicals to water. Also, never mix separate chemicals together, rather, add chemicals to the pool separately and allow them to circulate throughout the pool before adding additional types of chemicals.
- **C:** We recommend that you purchase a Dellonda test kit (pool Starter Kit: Model no. **DL63** and Test Strips: Model no. **DL32** test kit) and frequently test your pool water to make sure that your **PH** balance and chlorine levels are optimal.
NOTE: Excessive chlorine levels or low (acidic) pH levels can damage your pool liner, so please take corrective action as soon as possible if testing reveals either condition.
- The tasks of removing larger debris from your pool and keeping the inside of the pool liner clean are simplified by using a leaf skimmer and garden hose powered vacuum.
- Please contact the Dellonda service centre if you want to get advice on any repair during the life of the pool kit.
- **D:** Check your filter-pump cartridge every two weeks (or more frequently during periods of heavy usage) to verify whether it needs to be cleaned or replaced. If your cartridge is no longer white in colour, attempt to spray it clean with a strong blast of water from your garden hose. If your cartridge cannot be cleaned in this manner, the cartridge must be replaced, refer to filter pump manual.
- Failure to frequently clean and/or replace your cartridges will affect the effectiveness of your filter pump and could shorten its useful life.
- **E:** If your pool system included a cover, try to keep your pool covered at all times when not in use.
- This will help keep the wind and other elements from depositing dirt and debris in your pool, and will also prevent excess rainwater from overflowing your pool.
- **F:** Remind your family and friends to always hose or rinse off any dirt or tanning oil from their hands, feet, and body prior to entering the pool.
- **G:** It's necessary to monitor the bolts and hardware of the pool (eg. rust stain) when possible (if applicable).
- **H:** Once your pool has been filled with water for the season, take note if your pool becomes overfilled due to rainwater or accidental overflow. If this should occur, it is important to drain or bale out the excess water as soon as possible.
- **I:** Irrespective of materials used for swimming pool construction, accessible surfaces have to be checked regularly to avoid injuries.

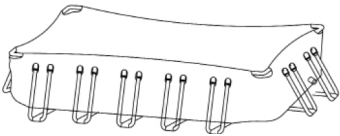
Troubleshooting

• REPAIR PATCH INSTRUCTIONS

- Small pinhole and small puncture leaks can be repaired with the included repair patch.
- a) Locate the source of the leak.
- b) Clean the area surrounding the leak and wipe up all water from the surface.
- c) Take out the repair patch, cut it into required shape and size, which should be larger than the leaking area, put the patch on the leaking area and press tightly.
- d) Wait 30 minutes for open-air drying of the repaired position.
- If the damaged area is large, we recommend using a Silicone or rubber based glue for repair.

• GLUE REPAIR INSTRUCTIONS

- 1 Locate the source of the leak.
- 2 Drain completely.
- 3 Clean the area surrounding the leak and wipe up all water from the surface.
- 4 Thoroughly clean the area surrounding the leak .Cut a piece of repair material in a round shape, which should be larger than the damaged area.
- 5 Glue (purchase adhesive separately) one side of the material patch to the repair area.
- **NOTE:** The glue needs to be evenly applied to the material patch.
- 6 Put the patch on the damaged area and press tightly. Wait 12 hours for drying. After patch has dried, apply glue around the edges for a complete seal (dry for 4 hours).

PROBLEM	DESCRIPTION	CAUSE	REMEDY
Coloured water	<ul style="list-style-type: none"> Water turns blue, brown, or black when first treated with chlorine. 	<ul style="list-style-type: none"> The chlorine is oxidizing minerals in your water. This commonly occurs with water from different sources. 	<ul style="list-style-type: none"> Adjust pH to recommended level. Run filter until water is clear. Regularly clean cartridge.
Particles suspended in water	<ul style="list-style-type: none"> Water looks "milky" or cloudy. 	<ul style="list-style-type: none"> "Hard Water" caused by an elevated pH. Chlorination is inadequate. Foreign debris in water. Bathers are not cleaning their feet prior to entering pool. 	<ul style="list-style-type: none"> Adjust pH. Check with a swimming pool supply retailer for correct water treatment. Ensure proper chlorine level. Clean or replace your filter. Spray off dirt with a high-pressure hose before entry.
Persistent low water level	<ul style="list-style-type: none"> Pool appears to be losing water on a daily basis. 	<ul style="list-style-type: none"> Tear or hole in pool liner. Tear or hole in a filter pump hose. Hose clamps are too loose. Evaporation from high summer temperatures. 	<ul style="list-style-type: none"> Locate damage and repair with the included patch kit. Repair or replace hoses. Tighten all hose clamps. Keep pool covered when not in use.
Algae	<ul style="list-style-type: none"> Water has greenish tint. Green, brown or black spots appear on pool liner. Pool bottom is slippery and/or an unpleasant odour is present. 	<ul style="list-style-type: none"> Warm weather. Poor Circulation. Low free Chlorine. 	<ul style="list-style-type: none"> Apply "shock" treatment (superchlorinator). Check pH and adjust to an appropriate level per your local pool supply retailer. Vacuum or lightly scrub pool liner. Test water often to maintain proper chlorine levels.
Pool water is cool	<ul style="list-style-type: none"> Water is not warming to a comfortable swimming temperature. 	<ul style="list-style-type: none"> Pool was set up in an excessively shady or tree lined area. Heat is escaping from pool water. 	<ul style="list-style-type: none"> Relocate pool to a more open location where it can get maximum exposure to sunlight during peak daylight hours. Keep your pool covered whenever it is not in use.
Deformation from frame		<ul style="list-style-type: none"> Did not fill with water to water level 	<ul style="list-style-type: none"> Suggest continue to fill with water to water level



Filter Pump

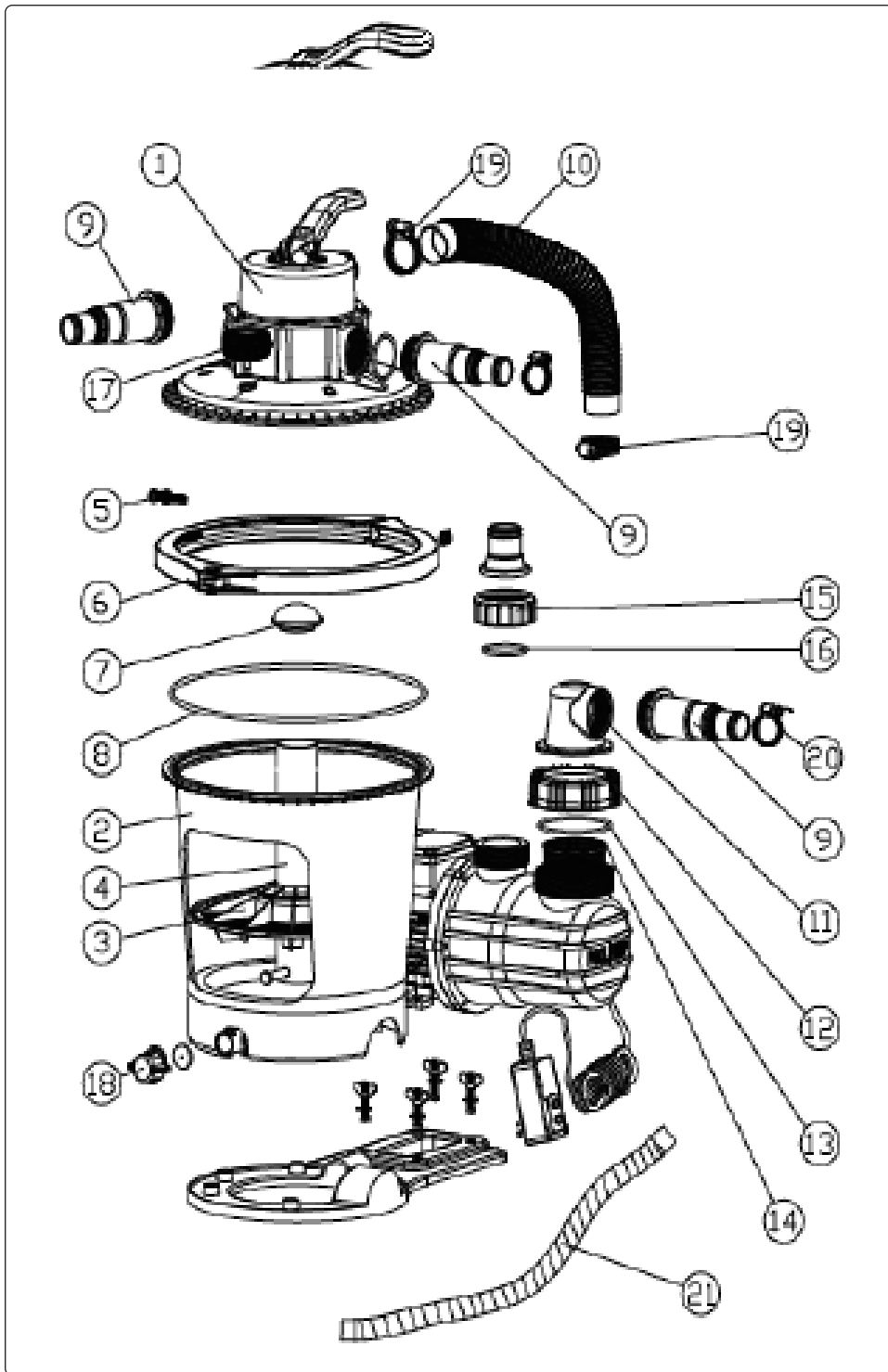
Safety Instructions

• ELECTRICAL SAFETY

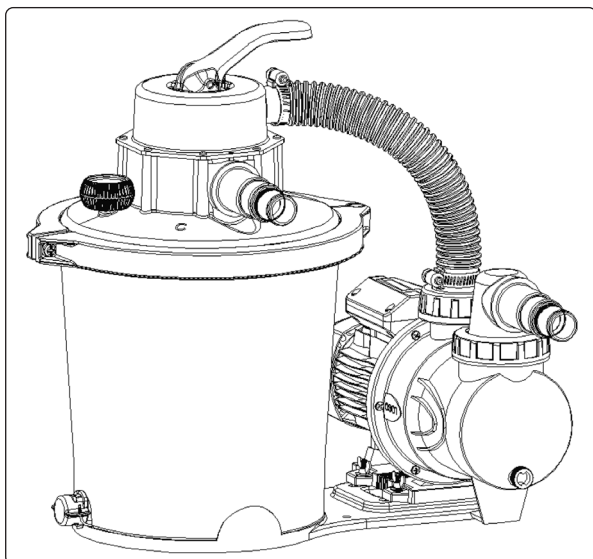
- **WARNING!** It is the user's responsibility to check the following:
- Check all electrical equipment and appliances to ensure that they are safe before using. Inspect power supply leads, plugs and all electrical connections for wear and damage.
- **WARNING! The pump must be supplied through a Residual Current device (RCD) having a rated residual operating current not exceeding 30mA.**
- Dellonda recommend that an **RCD** (Residual Current Device) is used with all electrical products. If the product is used in the course of business duties, it must be maintained in a safe condition and routinely **PAT** (Portable Appliance Test) tested.
- Electrical safety information, it is important that the following information is read and understood.
- Ensure that the insulation on all cables and on the appliance is safe before connecting it to the power supply.
- Regularly inspect power supply cables and plugs for wear or damage and check all connections to ensure that they are secure.
- **Important:** Ensure that the voltage rating on the appliance suits the power supply to be used and that the plug is fitted with the correct fuse - see fuse rating in these instructions.
- **DO NOT** pull or carry the appliance by the power cable.
- **DO NOT** pull the plug from the socket by the cable.
- **DO NOT** use worn or damaged cables, plugs or connectors. Ensure that any faulty item is repaired or is replaced immediately by a qualified electrician.
- **WARNING!** The mains cable can not be replaced. If it is damaged the appliance should be scrapped.

• GENERAL SAFETY

- Always follow the basic safety precautions for installation and use of this electrical equipment, including:
- **WARNING!** This appliance can be used by children aged from 8 years and above and persons with reduced physical, sensory or mental capabilities or lack of experience and knowledge if they have been given supervision or instruction concerning use of the appliance in a safe way and understand the hazards involved.
- **Children shall not play with the appliance. Cleaning and user maintenance shall not be made by children without supervision.**
- **WARNING!** Children being supervised not to play with the appliance.
- **WARNING!** The product should be away from the product, so as to avoid children climbing into it.
- **WARNING!** There is risk of electric shock. This product is only connected to the outlet with grounding protection. If it can not be confirmed, please contact an experienced electrician for installation, this outlet has a maximum leakage current of up to 30mA. **DO NOT** use a movable mains outlet.
- **WARNING!** The pump is to be supplied through a residual current device (**RCD**) having a rated residual operating current not exceeding 30mA.
- **WARNING!** To remove this product, before cleaning, maintenance or adjustment, unplug the power plug from the outlet.
- **WARNING! DO NOT** bury the wire in the soil, and must arrange it on safety location where it can not be damaged by the lawn mower and other equipment.
- **WARNING!** The supply cord cannot be replaced. If the cord is damaged the appliance should be scrapped.
- **WARNING!** To reduce the risk of electric shock, do not connect any extension wire, timer, plug adaptor or converter to the filter body. Please provide a fixed outlet.
- **WARNING!** If you stand in a place with water or your hands are wet, do not unplug the power wire plug.
- **WARNING!** After this product is installed, the installation position of the plug should be visible to the user and easy to access.
- **WARNING!** When the product is in use, do not start this product.
- **WARNING!** Only adult can install and remove this product.
- **WARNING!** This product can only be used with a movable pool. Do not use it in conjunction with a fixed pool installation. (A moveable pool can be removed for water storage and re-installed on its original position).
- **WARNING!** To avoid damage to the filter and the risk of injury, before the rotating the control valve position, please turn off the mains supply.
- **WARNING!** To reduce the risk of ingestion, if the filter cover is loosened, damaged, destroyed, or lost, do not put it into the filter. In case of the above conditions replace the filter cover immediately.
- **WARNING! DO NOT** play or swim near the filter's cover. Your body or hair may be inhaled to cause permanent injury to the body or drowning.
- **WARNING!** When the reading displayed on the pressure gauge of the body exceeds a predetermined maximum data, do not start this product.
- **WARNING!** There is a risk from pressure; any improper installation of the cylinder head can cause its damage, resulting in serious injury, death or damage to property.
- **NOTE:** This product is limited to those purposes described in the specification.
- **WARNING:** the maximum total head is 1.5m.

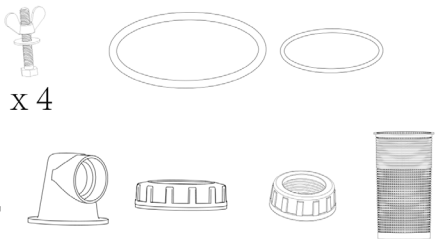
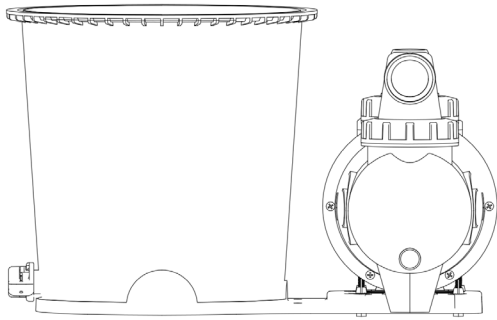


No.	Description
1	Control valve
2	Body
3	Water distributor
4	Centre connecting tube
5	M8 connector bolt
6	Hoop
7	Centre connecting tube cap
8	Upper cover seal
9	Straight connector
10	Ø38mm bellows
11	Water inlet
12	Water inlet connector nut
13	Water inlet connector seal
14	Filter sieve
15	Water outlet connector nut
16	Water outlet connector seal
17	Manometer (pressure gauge)
18	Drain tube cap
19	32-50mm hose clamp
20	38mm seal
21	1.5m hose



Operation

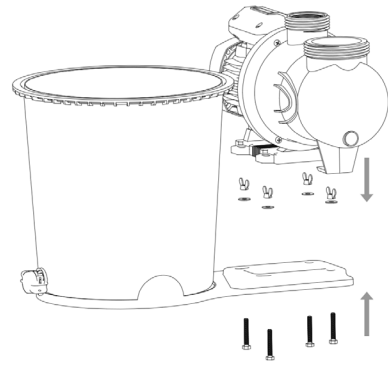
1



x 4

1-1

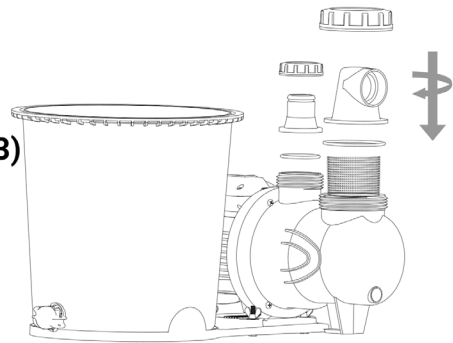
Fit pump to base



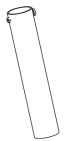
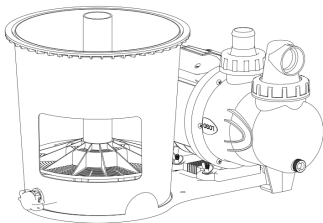
1-2

Fit water inlet (11, 12, 13)

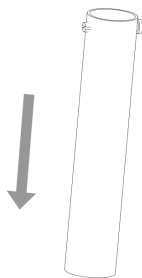
Fit water outlet (15, 16)



2



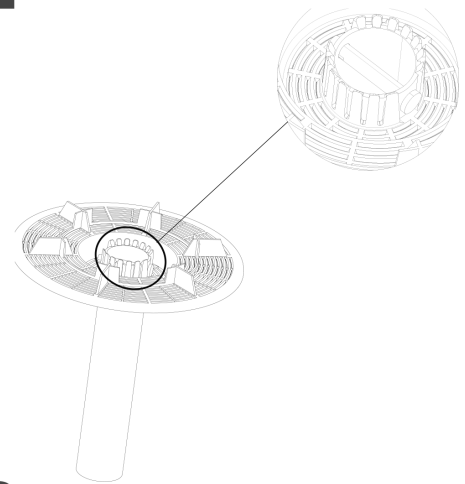
2-1



Fit water distributor (3) to centre connecting tube (4)

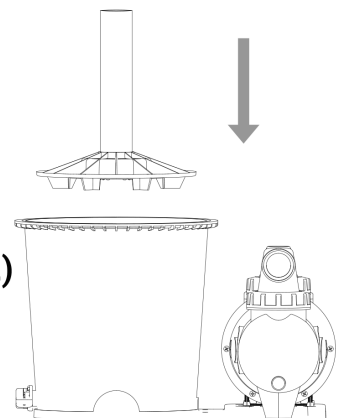


2-2



2-3

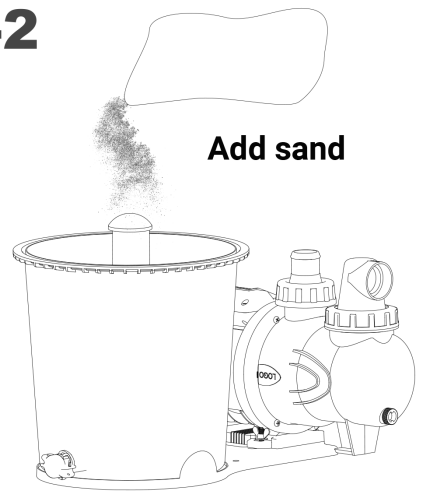
Fit into body (2)



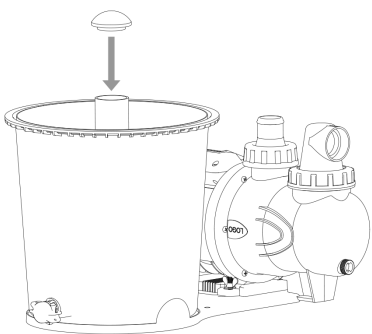
Fit centre connecting tube cap (7)



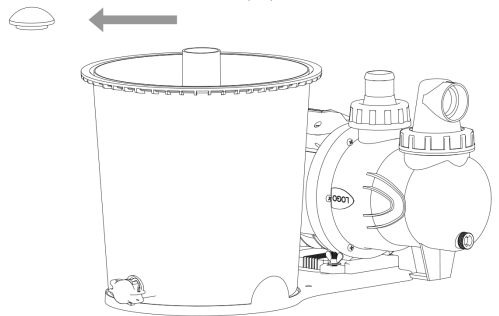
3-2



3-1

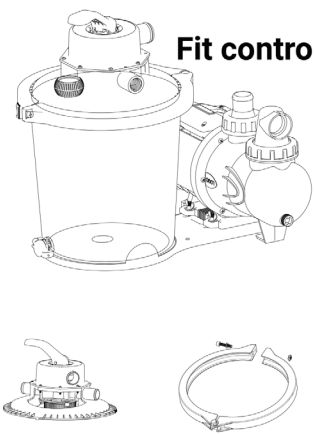


3-3 Remove centre connecting tube cap (7)

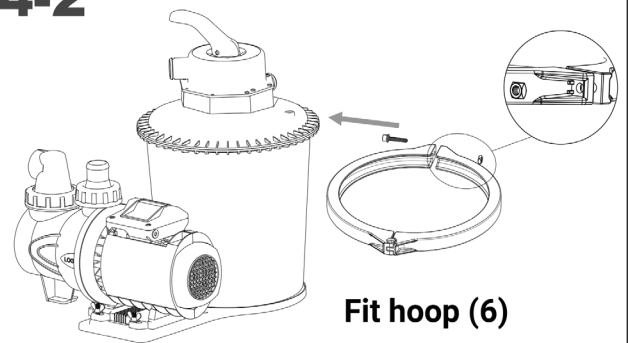


4

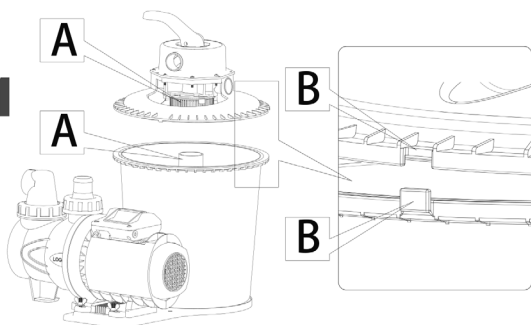
Fit control valve (1)



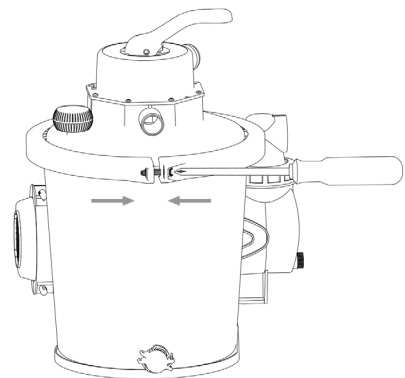
4-2



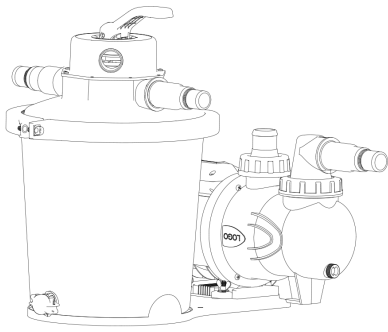
4-1



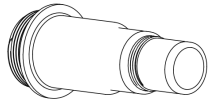
4-3



5

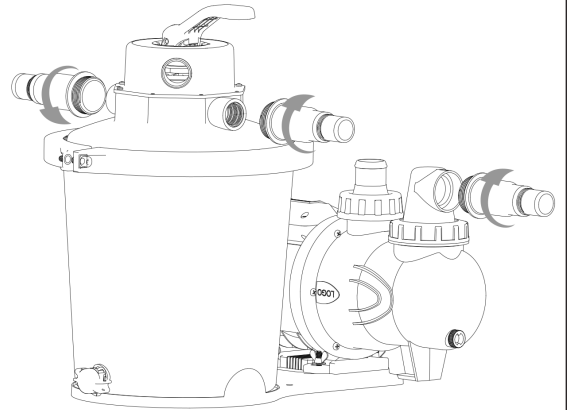


Fit straight connectors x3 (9)

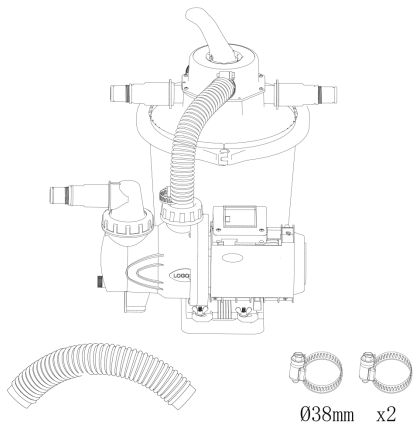


Ø 32mm x3

5-1

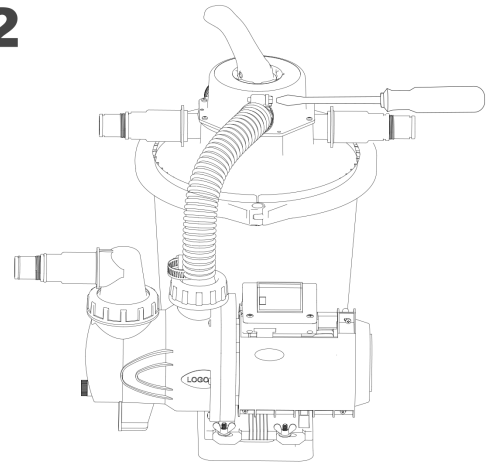


6

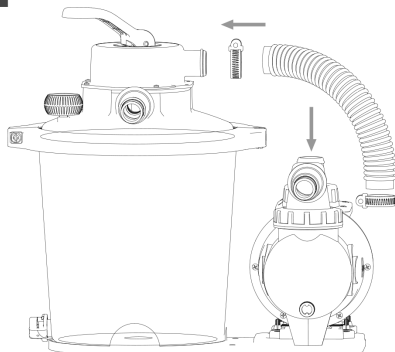


Ø38mm x2

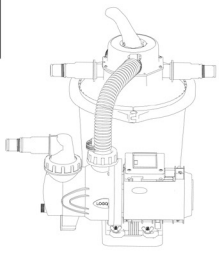
6-2



6-1 Fit hose (21) between lid and pump



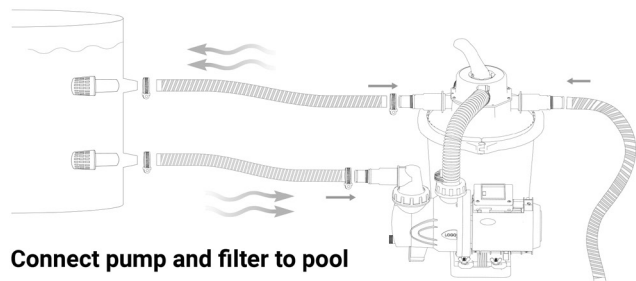
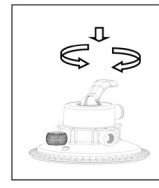
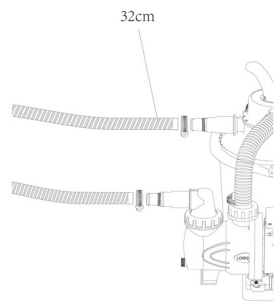
7



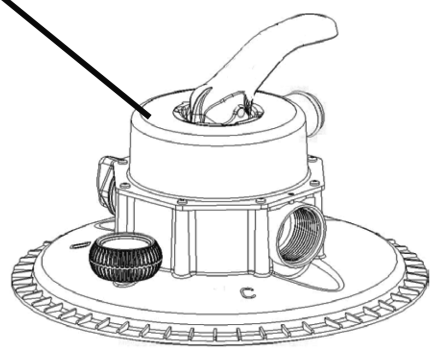
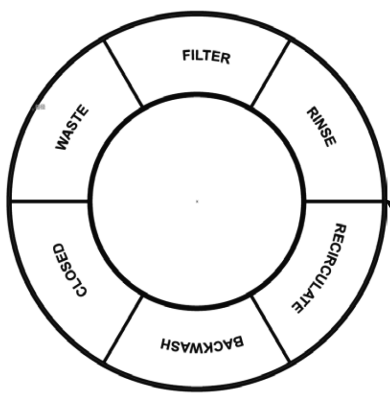
Ø32mm x4



Ø32mm x3

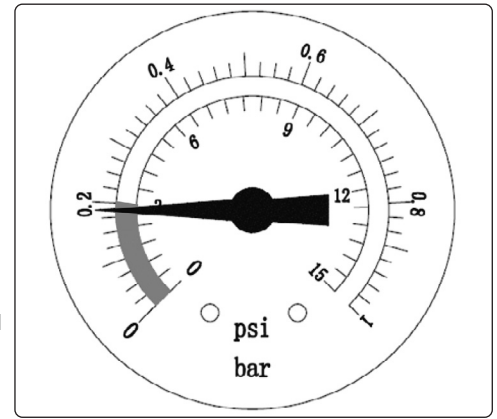


Connect pump and filter to pool



Location of control valve	Functions	Water flow direction
Filter	Normal filtering to rinse the pool	Water flows through the filter bed where the sand filter pump lies and then enters the pool
Backwash	Reverse-direction water flow to rinse the filter bed	Water flows through the filter bed where the sand filter pump lies and is then directly discharged from the drain outlet.
Rinse	This function is used for first startup. Sand in the sand tank is rinsed and the sand bed after backwashing is leveled.	Water flows through the filter bed where the sand filter pump lies and is then directly discharged from the drain outlet.
Drain	Discharged directly from the drain outlet, used to lower water level or discharge water from the pool	Discharged directly from the drain outlet of the sand filter pump without passing through the filter bed
Recirculation	Circulates pool water without passing through the filter bed.	Water flows directly into the pool through the control valve of the sand filter pump without passing through the filter bed
Closed	Closed water flow between the filter and the pool	/

- During pump operation check the pressure reading of the manometer.
- When the pressure of the 0.2bar (3psi) (green area) the pump is running normally.
- **WARNING!** Remove from mains supply before Maintenance or Cleaning.
- When the manometer displays a reading of 0.2bar (3psi) or higher clean the sand bend or replace the sand. Use 'backwash' and 'rinse' functions.
- **NOTE:** regular rinsing according to use the amount of use the pump receives, is recommended.



Storage: Long term and winter storage

• COLD WEATHER USE

- Using the product in a frozen pool may damage the product and invalidate the warranty.
- If the product has to be used, it can be used with propylene glycol antifreeze. Propylene glycol is non toxic and will not harm any plastic parts.
- Other types of antifreeze are highly toxic and may be harmful to the product's plastic parts.
- Before discharging the water or repositioning the pool, make sure the discharge flow is away from any habitation. Review local regulations for disposal of pool water.

• STORAGE

- Remove from mains supply.
- After emptying, remove all connected sand filter pumps, corrugated tubes and unscrew the drain valve (refer to diagram below) in an anticlockwise direction to completely empty water inside the body. The drain plug is at the bottom of the body.
- Dry the parts of the pump and corrugated tubes.
- Lubricate the seal rings and washers in the order below for long-term storage.
- The best practice for product storage is to dry the parts and motor and replace them in the original package. To avoid shrinkage or corrosion, do not cover or wrap the motor with a plastic bag.



Troubleshooting

Problem	Action	Solution
The motor can not be started	Mains plug not connected Circuit tripped Motor overheated or overloaded causing motor to stop	Check plug/ mains power supply. Reset circuit breaker Allow motor to cool and start pump again.
Filter not filtering the pool water	No sand in the body of the filter Control valve is in the wrong position Excessive dirt in the water the filter barrel has become blocked	Fill with sand refer to diagrams Put control valve into the 'filter' position to prolong the running time Clean the filter barrel
Filter is unable to discharge water or the water flow is too slow	The inlet is blocked Air leakage in the inlet pipe Excessive dirt in the water Filter medium is blocked by impurities The cleaning device is connected	Check and clear blockage in the water pipes Tighten the nozzle nuts Clean the filter screen Backwash Remove the cleaning device
Filter fails to run	Water level is too low Filter screen is blocked Air leakage in the inlet pipe Motor or blade is blocked	Add water to pool to raise water level Clean the filter screen Tighten the nozzle and check for damage
Water leakage from the control valve or upper cover	The seal ring of the body is lost or too dirty The control valve retainer is not tightly secured or damaged	Remove the upper cover of the control valve, refit the seal ring and reassemble Wash the seal ring. Reassemble and tighten fasteners correctly.
Manometer fails to work	Inlet of the manometer is blocked	Remove manometer from the control valve and clean away any material which is causing a blockage. Replace the fittings.
Sand enters the pool	The sand particles are too fine	Use 20# quartz sand only. Particle size is 0.45-0.85mm. Or replace the sand



Environment Protection and Waste Protection and Electrical Equipment Regulations (WEEE)

Recycle unwanted packaging materials. When this product is no longer required, or has reached the end of its useful life, please dispose of it in an environmentally friendly way. Drain any fluids (if applicable) into approved containers, in accordance with local waste regulations.



Under the Waste Batteries and Accumulators Regulations 2009, Jack Sealey would like to inform the user that this product contains one or more batteries. It is our policy to continually improve products and we reserve the right to alter data, specifications and parts without prior notice. No liability is accepted for incorrect use of this product. Guarantee is 12 months from purchase date, proof of which is required for any claim.

Dellonda Limited

Kempson Way, Suffolk Business Park, Bury St Edmunds, Suffolk. IP32 7AR



01284 757575



support@dellonda.co.uk



www.dellonda.co.uk