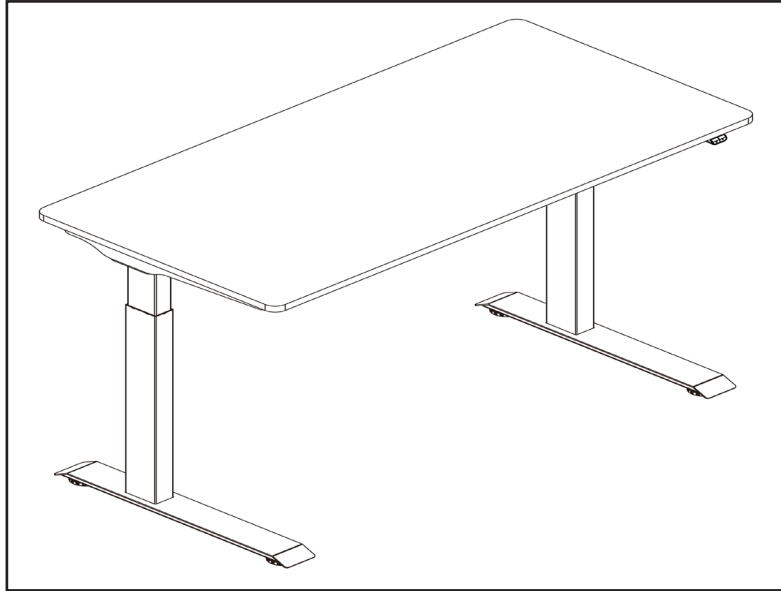




Dellonda Single Motor Height-Adjustable Electric Sit & Stand Desk, Oak Desktop



Model No. DH66

Thank you for purchasing a Dellonda product. Manufactured to a high standard, this product will, if used according to these instructions, and properly maintained, give you years of trouble free performance.

Important Information

Please read these instructions carefully and note any safe operational requirements, warnings & cautions. Use the product correctly and with care for the purpose for which it is intended. Failure to do so may cause damage and/or personal injury and will invalidate the warranty. Keep these instructions safe for future use.

Contents

A X3



ST4.2

B x4



M6

C x8



M6








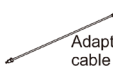
D x1

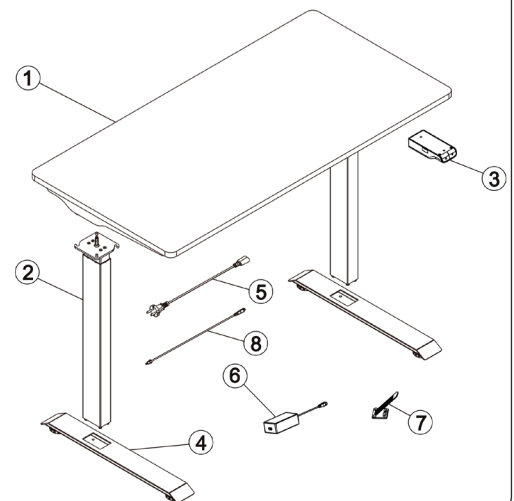


4x4



5x5(With cross)

No.	Part	Qty	No.	Part	Qty	No.	Part	Qty
①	 Tabletop	1	②	 Lifting column	2	③	 Hand-switch	1
④	 Feet	2	⑤	 Power plug	1	⑥	 Adaptor	1
⑦	 Cable mounts	4	⑧	 Adapter cable	1			



About the Product


Height-adjustable desk with a stylish rectangular oak desktop ideal for your office or home needs. Single motor system ensures a fast and stable adjustment. Features ultra-quiet operation with a sound level less than 50dB. Some simple assembly is required. Desktop made from hard wood and covered with an oak effect veneer.

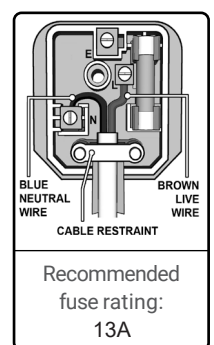
Specification

- Height range: 730-1230mm
- Speed: 25mm/s²
- Desktop dimensions 1200 x 600mm
- Sound level <50dB
- Max. load capacity 50kg
- Supply 230V

Safety Instructions

• ELECTRICAL SAFETY

- **WARNING!** It is the user's responsibility to check the following:
 - Check all electrical equipment and appliances to ensure that they are safe before using. Inspect power supply leads, plugs and all electrical connections for wear and damage. Dellonda recommend that an **RCD** (Residual Current Device) is used with all electrical products.
 - check all connections to ensure that they are secure.
 - **Important:** Ensure that the voltage rating on the appliance suits the power supply to be used and that the plug is fitted with the correct fuse - see fuse rating in these instructions.
 - **DO NOT** pull or carry the appliance by the power cable.
 - **DO NOT** pull the plug from the socket by the cable.
 - **DO NOT** use worn or damaged cables, plugs or connectors.
 - Ensure that any faulty item is repaired or replaced immediately by a qualified electrician.
 - This product is fitted with a **BS1363/A** 13 Amp 3 pin plug.
 - If the cable or plug is damaged during use, switch off the electricity supply and remove from use.
 - Replace a damaged plug with a **BS1363/A** 13 Amp 3 pin plug. If in doubt contact a qualified electrician.
 - Class **II** products are wired with live (brown) and neutral (blue) only, and are marked with the Class **II** symbol. 
 - A) Connect the **BROWN** live wire to the live terminal 'L'.
 - B) Connect the **BLUE** neutral wire to the neutral terminal 'N'.
 - C) Check that there are no bare wires and ensure that all wires are correctly connected.
- Ensure that the cable outer sheath extends inside the cable restraint and that the restraint is tight.
- **DO NOT** connect either wire to the earth terminal.



- Dellonda recommend that repairs are carried out by a qualified electrician.
- Unplug the power source before cleaning. Wipe the dust on surface with slight damp cloth when cleaning, **DO NOT** get water in the electrical housing, be careful not to loosen any cables.
- Check carefully to ensure correct and complete assembly before use.
- Familiarise yourself with all functions and program settings of the product before first use.
- **DO NOT** let children play on the product.
- Slight noise caused by the V-ribbed belt or brake system will not have any effect on the use of the equipment.
- **DO NOT** clean the unit with corrosive or abrasive materials.
- This appliance can be used by children aged from 8 years and above and persons with reduced physical, sensory or mental capabilities or lack of experience and knowledge if they have been given supervision or instruction concerning use of the appliance in a safe way and understand the hazards involved. Children shall not play with the appliance.
- If the supply cord is damaged, it must be replaced by the manufacturer, it's service agent or a similarly qualified person in order to avoid a hazard and prolong the life of the equipment.
- **ALWAYS** make sure there are no hazards in the operating environment. e.g., nothing that will get hooked up on the desk, or stop the desk from raising or lowering fully.
- Operating environment temperature 0-40°C.
- Keep the original instructions, for future reference.
- **ALWAYS** inspect the unit prior to use for fatigue and damage.
- Always be careful with the packaging materials in order to avoid any possible danger, e.g. plastic bag may lead to choking hazard to children.
- Keep the original packaging of the equipment if necessary in case of the future use in transportation.

Assembly

STEP 1

Install the lifting column

B x4

D 4x4

⚠ Rotate the column after inserting it to the bottom to avoid height difference

Long side of the column

Short side of the desktop

1

2

3

4

Insert the hexagon head of the column along the wiring trough, the wire exiting the column needs to face the motor

Rotate the column after inserting it. The screws on the supporting beam need to fit into the slots on the column

Tighten the screws (B) with 4*4 hex key

Install the lifting column (2) to the tabletop(1), then tighten the screws (B) with hex key (D)

STEP 2

Install the feet

C x8

D 4x4

2

4

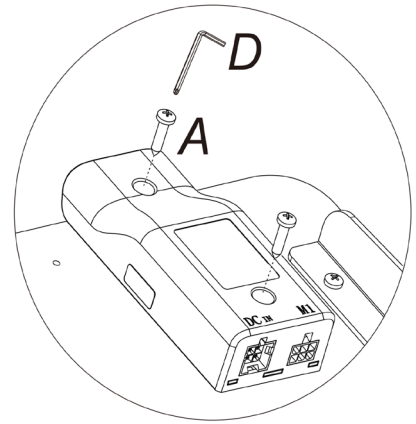
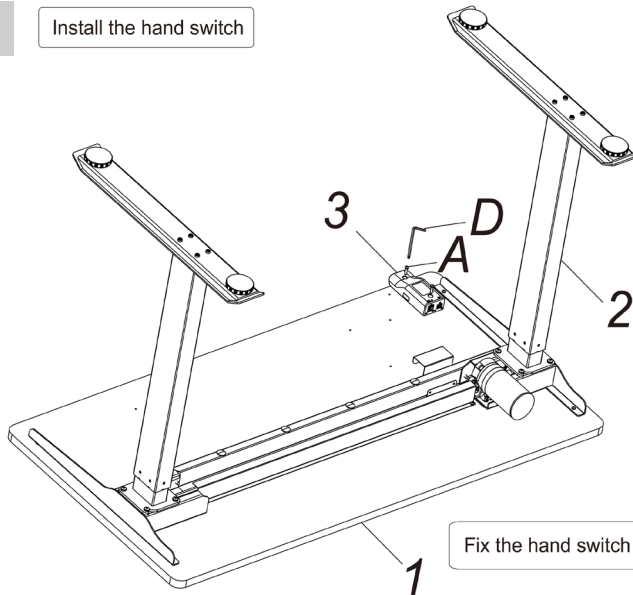
C

D

Connect lifting columns(2) to the feet, tighten screw(C) with hex key (D)

STEP 3

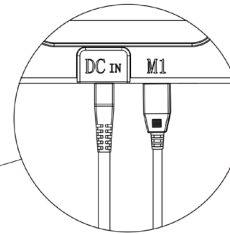
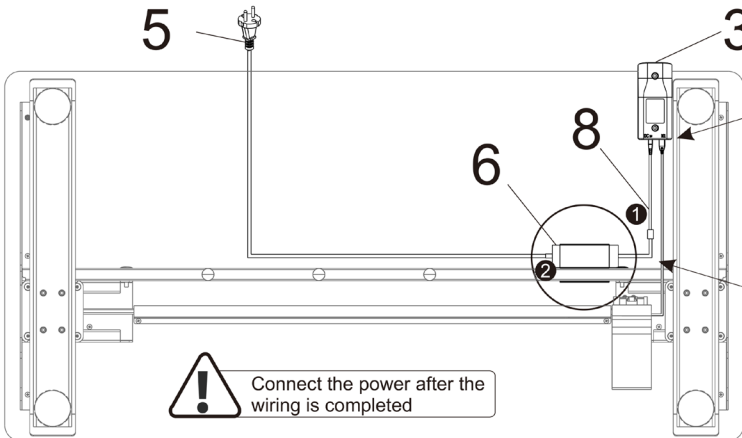
Install the hand switch



Fix the hand switch with the screw (A) and tighten it with 5*5 wrench (D)

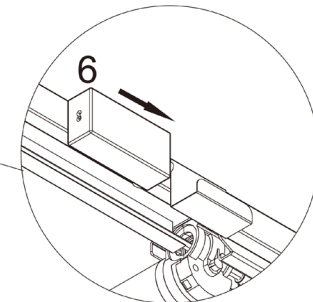
STEP 4

Connect all cables to the adaptor

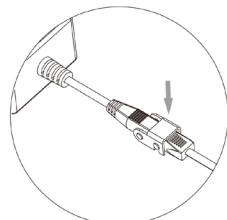
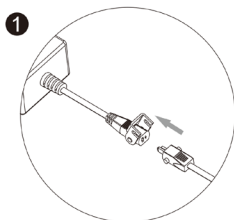


Connect the switch cable to the DC port

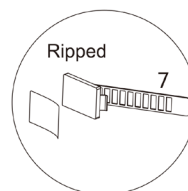
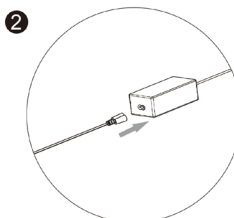
Connect the motor cable to the M1 port



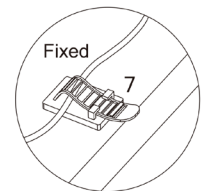
Insert the adaptor (6) to the bracket of the tabletop



Fix the cables to the tabletop with cable management (7) to keep desk clean



Organize the lines

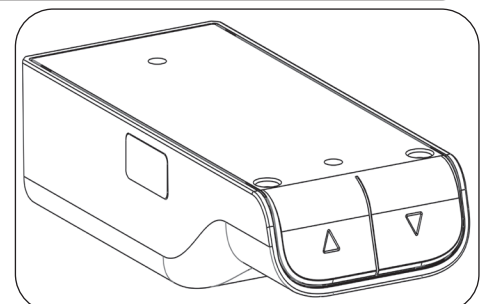


Operation

- The height of the desk can be adjusted up or down by pressing up or down buttons.

Troubleshooting:

- If there is no response to pressing the up or down buttons after a period of continuous work, let the desk rest for 18 minutes (at least) before using again.
- During the lifting if the desk struggles to lift properly, check whether the desk load is too heavy (max. load = 50kg).





Environment Protection, Waste Electrical and Waste Electronic Equipment Regulations (WEEE)



Recycle unwanted packaging materials. When this product is no longer required, or has reached the end of its useful life, please dispose of in an environmentally friendly way. Drain any fluids (if applicable) into approved containers, in accordance with local waste regulations.



Please note that this product contains one or more batteries. It is our policy to continually improve products and we reserve the right to alter data, specifications and parts without prior notice. No liability is accepted for incorrect use of this product. Guarantee is 12 months from purchase date, proof of which is required for any claim.



Dellonda Limited

Kempson Way, Suffolk Business Park, Bury St Edmunds, Suffolk. IP32 7AR



01284 757575



support@dellonda.co.uk



www.dellonda.co.uk