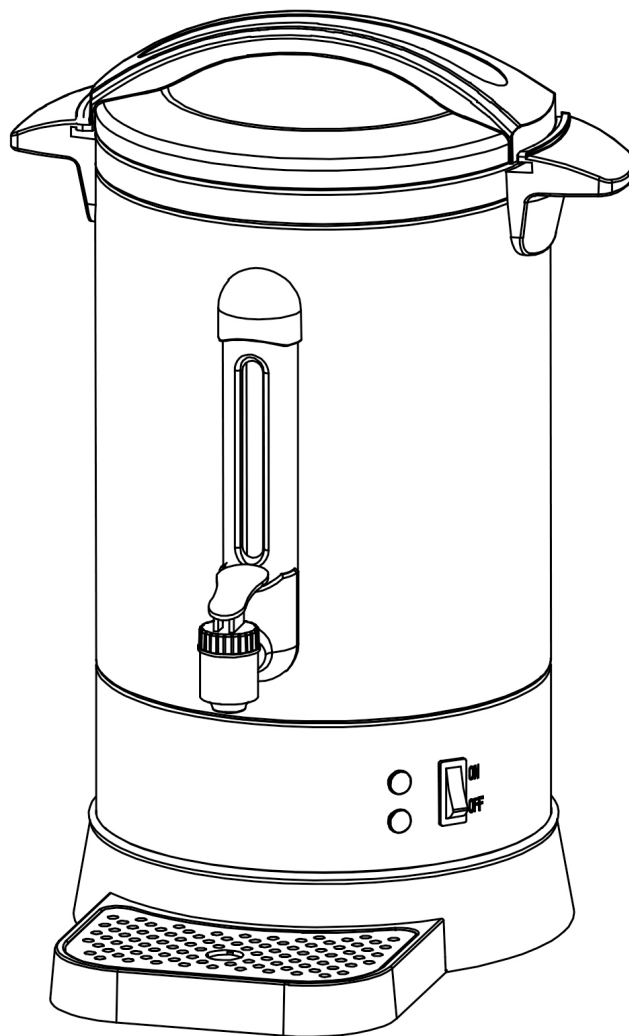


baridi

Baridi Hot Water Boiler, Tea Urn With Drip Tray, Keep Warm Function and Water Gauge, Stainless Steel



Models: DH269, DH270

Thank you for purchasing a Dellonda product. Manufactured to a high standard, this product will, if used according to these instructions, and properly maintained, give you years of trouble free performance.

Important Information

Please read these instructions carefully. Note the safe operational requirements, warnings & cautions. Use the product correctly and with care for the purpose for which it is intended. Failure to do so may cause damage and/or personal injury and will invalidate the warranty. Keep these instructions safe for future use.



Refer to
instruction
manual



Indoor use
only



Warning
Electricity
shock hazard

SPECIFICATION

MODEL NO:	DH269	DH270
Capacity:	10L	20L
Colour of Product:	Silver	Silver
Electrical Class:	Class 1	Class 1
Material:	Outer Layer - SS430 Inner Layer - SS304	Outer Layer - SS430 Inner Layer - SS304
Nett Weight:	2.2kg	2.85kg
Plug Type:	3-Pin BS	3-Pin BS
Power Cable Length:	1.2m inc. plug	1.2m inc. plug
Product Dimensions (W x D x H):	316 x 336 x 474mm (inc drip tray)	368 x 398 x 530mm (inc drip tray)
Rated Power:	950W	1650W
Supply:	230V~50Hz	230V~50Hz
Thickness:	Outer Layer - 0.4mm Inner Layer - 0.3mm	Outer Layer - 0.4mm Inner Layer - 0.3mm

SAFETY INSTRUCTIONS

- ❑ **WARNING!** The warnings, cautions and instructions in this manual cannot cover all possible conditions and situations that may occur. It must be understood by the operator that common sense and caution are factors which cannot be built into this product, but must be applied by the operator.

This manual explains the proper use of your hot water boiler, please read it carefully before using even if you are familiar with the product. The manual should be kept in a safe place for future reference.

ELECTRICAL SAFETY

WARNING! It is the user's responsibility to check the following:

Check all electrical equipment and appliances to ensure that they are safe before using. Inspect power supply leads, plugs and all electrical connections for wear and damage. Dellonda recommend that an RCD (Residual Current Device) is used with all electrical products.

Electrical safety information: It is important that the following information is read and understood.

Ensure that the insulation on all cables and on the appliance is safe before connecting it to the power supply.

Regularly inspect power supply cables and plugs for wear or damage and check all connections to ensure that they are secure.

Important: Ensure that the voltage rating on the appliance suits the power supply to be used and that the plug is fitted with the correct fuse - see fuse rating in these instructions.

- * **DO NOT** pull or carry the appliance by the power cable.
- * **DO NOT** pull the plug from the socket by the cable.
- * **DO NOT** use worn or damaged cables, plugs or connectors.
- ✓ Ensure that any faulty item is repaired or replaced immediately by a qualified electrician.
- ✓ If the cable or plug is damaged during use, switch off the electricity supply and remove from use.
- ✓ Ensure that repairs are carried out by a qualified electrician.

GENERAL SAFETY

Read all safety warnings, instructions, illustrations and specifications provided with this product. Failure to follow all instructions listed below may result in electric shock, fire and/or serious injury.

- ❑ **WARNING!** Switch off at the mains (unplug or disconnect from outlet) empty the water tank when not in use and before cleaning. Allow to cool before removing components.
- ❑ **WARNING!** To prevent chafing of the cable, do not let the mains cord hang over the edge of a table or counter; or touch hot surfaces.
- ▲ **CAUTION:** In order to avoid a hazard due to inadvertent resetting of the thermal cut-out, this appliance must not be supplied through an external switching device, such as a timer, or connected to a circuit that is regularly switched on and off by the utility.
- ▲ **CAUTION:** Never open the lid while the appliance is filled with hot liquid, as this can cause scalding. The lid must also not be left open during operation.
- ▲ **CAUTION:** The appliance becomes hot during operation! **DO NOT** touch hot surfaces to avoid burns.
- ▲ **CAUTION:** Only carry the appliance by the handles provided when empty, and only when it is not in use and has cooled down.

- ▲ **CAUTION:** Never transport the hot water heater when filled with either hot or cold water. Always make sure the unit is unplugged from the mains electrical socket, and is empty before transporting.
- * **DO NOT** lift the appliance by the lid while it is filled with water.
WARNING! Children from age 8 years and above, persons with reduced physical, sensory, or mental capabilities those with lack of experience and knowledge can use the appliance, if they have been given supervision or instruction concerning use of the appliance in a safe way to understand the hazards involved.
- **WARNING!** Cleaning and use of the appliance must not be carried out by the above-mentioned group of persons if the work is not supervised.
- **WARNING!** This appliance is not a toy for children! Please take special care when children are in the vicinity during use.
- **WARNING!** Children shall NOT play with the appliance.
- **WARNING!** The appliance must not be repaired by unskilled labour, as there is a high risk of electric shock if it is reassembled incorrectly. always return a malfunctioning appliance to the dealer for repair after consultation. If the appliance is not opened by the dealer, the guarantee will be invalidated and there may be a risk to your life from electric shocks.
- **WARNING!** Cleaning and user maintenance on the appliance shall not be made by children without supervision.
- ✓ That the appliance shall be disconnected from its power source during service and when replacing parts and, if that the removal of the plug is foreseen, it shall be clearly indicated that the removal of the plug has to be such that an operator can check from any of the points to which he has access that the plug remains removed.
- ✓ Keep ventilation openings, in the appliance enclosure or in the built-in structure, clear of obstruction.
- ✓ The use of spares and accessories not recommended by Dellonda may cause damage and/or injuries.
- ✓ To avoid a hazard due to instability of the appliance, it must be fixed in accordance with the instructions.
- * **DO NOT** use outdoors. **DO NOT** place on or a near a hot gas or electric burner.
- * **DO NOT** use electrical appliances near highly flammable materials.
- * **DO NOT** leave the appliance unattended when it is in operation.
- * **DO NOT** use the appliance for anything other than its intended use.
- * **DO NOT** use an external timer for the appliance.
- * **DO NOT** exceed the maximum fill level, as this can result in burns from splashing liquids. Falling below the minimum fill level of one litre can result in damage to the appliance. Never start the appliance without water as this will damage the appliance.
- ✓ This appliance is intended to be used in household and similar applications such as:
 - Staff kitchen areas in shops, offices and other working environments;
 - Farm houses and by clients in hotels, motels and other residential type environments;
 - Bed and breakfast type environments;
 - Catering and similar non-retail applications.

INSTALLATION

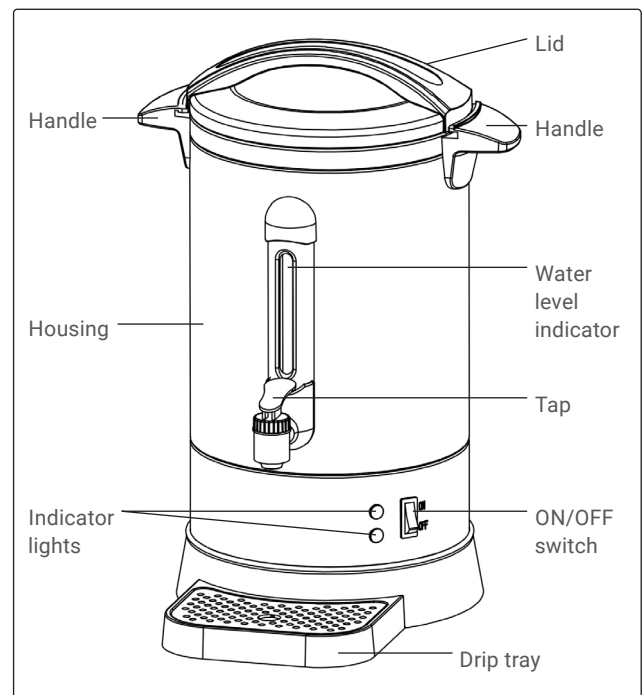
- Before first use boil the hot water heater at least 3 times with water to remove any production residues and odours. In rare cases, this may be necessary more often.
- Ensure that the appliance is standing securely on level surface.
- Plug the cable into the socket to connect the appliance to the power supply.
- The hot water boiler DH269 and DH270 has been fitted with a 13A plug. A suitable outlet is all that is required.
- No plumbing is required. Always place the appliance on a flat stable surface. **DO NOT** place it near sources of heat (e.g cooker, oven, etc).

OPERATION

- Ensure that the appliance is standing securely on a level surface.
- Fill the hot water boiler with cold water to the maximum capacity and be sure to close the lid.
- Connect hot water boiler into mains socket.
- Press the **ON/OFF** power button to 'ON', the corresponding heating LED lights up.
- As soon as the water reaches the preset temperature, the LED keep warm light illuminates. The appliance maintains the temperature of the water. Please note that the thermostat switches at +/- 3°C, so the set temperature may vary slightly.
- When there is only one litre left in the appliance, switch it off and allow it to cool down. To do this, unplug the appliance from the mains supply.
- Allow the appliance to cool down for 10 minutes before filling it again and switching it on.
- If the minimum fill level is not reached, the appliance will switch off automatically. In this case, you should wait longer than 10 minutes before switching the appliance on again. Fill it up again before switching it on again.
- * **DO NOT** use the hot water heater to store water. Empty the appliance after each use and refill it with fresh water before each use.
- * **DO NOT** use in temperature conditions below 5°C.

MAINTENANCE

- ✓ Descale the appliance regularly to prevent damage. Calcified appliances cannot be returned for warranty processing.
- ✓ Use mild soapy water to clean the appliance. Abrasive cleaning agents and steel sponges or similar will cause damage.
- ✓ Access to the service area is restricted to persons having knowledge and practical experience of the appliance, in particular as far as safety and hygiene are concerned.
- ✓ Dellonda machines have been designed to give many years of trouble free service. The only regular maintenance required is occasional descaling.
- * **DO NOT** immerse the appliance or accessories (cable) in water or other liquids. Keep the appliance away from direct sunlight, rain and moisture.



DESCALING PROCEDURE

- Isolate machine from electrical supply.
- Allow to cool completely!
- Remove lid.
- Drain water from machine.
- Remove as much scale as possible by hand.
- Use a reputable descaling product. Follow instructions carefully.
- Thoroughly clean and flush the machine before re-use.
- Follow operation instructions.

LIMESCALE

- Descaling tip: You can of course buy cleaning agents for descaling. In most cases, however, it is cheaper to descale with the household remedy white vinegar.
 1. Test the compatibility of the white vinegar / solution with the material in advance on a non-visible area and wait at least 20 minutes after it has been applied and washed off to see if any abnormalities become visible.
 2. White vinegar can be diluted 1:1 with water. A ratio of at least 1:5 should be selected for white vinegar essence. A milder dosage is usually advisable.
 3. When de-scaling, boil the white vinegar mixture in the appliance. Leave it to work for 30 to 45 minutes.
 4. Pour away the white vinegar solution after the reaction time and rinse the kitchen appliance to be cleaned thoroughly several times to prevent the white vinegar odour and taste from settling. To rinse out boil fresh water at least 3 times.
 5. If there is a strong vinegar odour, the appliance should then be left open for a while to air out.

CLEANING

- Disconnect the plug from the power supply after use and before cleaning. To do this, **DO NOT** pull on the cable, but hold the plug in your hand.
- The exterior of these machines may be cleaned with a damp cloth and a light detergent. **DO NOT** use abrasive cloths or creams, as this will spoil the finish of the machine. **DO NOT** use a water jet or spray.
- All removable parts should be removed and cleaned regularly. The hot water boiler must be descaled regularly. How often depends on how calcareous the water is. As soon as you see deposits, you should descale the hot water boiler once. Then rinse thoroughly with water again and boil 3 times with water to remove all cleaning agents.

CAUTIONS AND SAFETY TIPS

- This appliance must be earthed.
- Risk of scalding. Beware of accidentally operating the water drawoff tap especially when cleaning the front of the hot water heater.
- The utmost care has been taken in the manufacture and testing of this hot water boiler. Failure to maintain and/or operate this hot water boiler according to the manufacturer's instructions may result in conditions that can cause injury or damage to property. If in any doubt about the serviceability of the hot water boiler always contact Dellonda service centre for advice.

SAFETY-CHECK AFTER MAINTENANCE

- Is the power cord broken or damaged?
- Is the power plug firmly inserted into the socket?
- Is the power plug abnormally overheated.

NOTE: Electric shock and fire accident may be caused in case the power cord and plug is damaged or stained by dust. If any abnormality, please unplug the power plug and get in contact with the vendor.

THERMOSTATIC VALVE

The hot water boiler has a thermostatic valve fitted. If for some reason the boiler goes above temperature by a few degrees the thermostatic valve will shut the power off. To reset the switch.

1. Turn the power off at the electrical socket.
2. Press the reset switch found at the base of the hot water boiler. (See fig.1). The red light will illuminate once the hot water boiler is plugged back in and filled with fresh water.

TROUBLESHOOTING

FAULT	CHECK	SOLUTION
No operation	Is power switched off.	Switch on.
Temperature sensor failure		Call service centre.
Water not heating		Call service centre.



Environment Protection and Waste Protection and Electrical Equipment Regulations (WEEE)

Recycle unwanted packaging materials. When this product is no longer required, or has reached the end of its useful life, please dispose of it in an environmentally friendly way. Drain any fluids (if applicable) into approved containers, in accordance with local waste regulations. Under the Waste Batteries and Accumulators Regulations 2009, Dellonda would like to inform the user that this product contains one or more batteries. It is our policy to continually improve products and we reserve the right to alter data, specifications and parts without prior notice. No liability is accepted for incorrect use of this product. Guarantee is 12 months from purchase date, proof of which is required for any claim.

Dellonda Limited, Sole UK Distributor of Baridi

Kempson Way, Suffolk Business Park, Bury St Edmunds, Suffolk. IP32 7AR



01284 757575



support@dellonda.co.uk



www.dellonda.co.uk