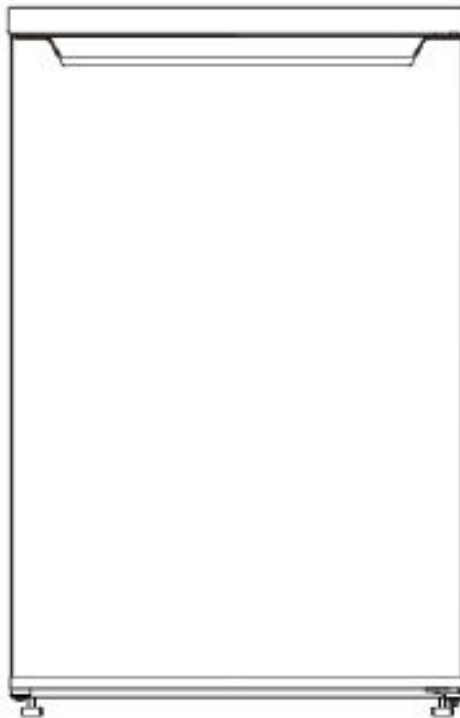


# baridi

---

## Baridi 55cm Undercounter Freezer with Adjustable Thermostat, 85L,White-DH250/Black - DH251



Models: DH250, DH251

Thank you for purchasing a Dellonda product. Manufactured to a high standard, this product will, if used according to these instructions, and properly maintained, give you years of trouble free performance.

## Important Information

Please read these instructions carefully. Note the safe operational requirements, warnings & cautions. Use the product correctly and with care for the purpose for which it is intended. Failure to do so may cause damage and/or personal injury and will invalidate the warranty. Keep these instructions safe for future use.



Refer to instructions



Indoor use only



Warning: flammable material

## ELECTRICAL SAFETY

**WARNING!** It is the user's responsibility to check the following:

Check all electrical equipment and appliances to ensure that they are safe before using. Inspect power supply leads, plugs and all electrical connections for wear and damage. Dellonda recommend that an RCD (Residual Current Device) is used with all electrical products.

Electrical safety information: It is important that the following information is read and understood.

Ensure that the insulation on all cables and on the appliance is safe before connecting it to the power supply.

Regularly inspect power supply cables and plugs for wear or damage and check all connections to ensure that they are secure.

**Important:** Ensure that the voltage rating on the appliance suits the power supply to be used and that the plug is fitted with the correct fuse - see fuse rating in these instructions.

**DO NOT** pull or carry the appliance by the power cable.

**DO NOT** pull the plug from the socket by the cable.

**DO NOT** use worn or damaged cables, plugs or connectors.

Ensure that any faulty item is repaired or replaced immediately by a qualified electrician.

If the cable or plug is damaged during use, switch off the electricity supply and remove from use.

Ensure that repairs are carried out by a qualified electrician.

## GENERAL SAFETY

**WARNING:** When positioning the appliance, ensure the supply cord is not trapped or damaged. If the supply cord is damaged, it must be replaced by the manufacturer, its service agent or similarly qualified persons in order to avoid a hazard.

Keep ventilation openings, in the appliance enclosure or in the built-in structure, clear of obstruction.

**DO NOT** use mechanical devices or other means to accelerate the defrosting process, other than those recommended by the manufacturer.

**DO NOT** damage the refrigerant circuit.

**DO NOT** use electrical appliances inside the storage compartment of the appliance i.e. hair dryers, heater elements etc.

**DO NOT** store explosive substances such as aerosol cans with a flammable propellant in this appliance.

**DO NOT** remove items from the freezer compartment if your hands are damp/wet, as this could cause skin abrasions or Frost/Freezer burns.

**WARNING: DO NOT** locate multiple portable socket-outlets or portable power supplies at the rear of the appliance.

To avoid a hazard due to instability of the appliance, it must be fixed in accordance with the instructions.

This appliance is intended to be used in household and similar applications such as:

Staff kitchen areas in shops, offices and other working environments;

Farm houses and by clients in hotels, motels and other residential type environments;

Bed and breakfast type environments;

Catering and similar non-retail applications.

Children from age 8 years and above, persons with reduced physical, sensory, or mental capabilities those with lack of experience and knowledge can use the appliance, if they have been given supervision or instruction concerning use of the appliance in a safe way to understand the hazards involved.

Children shall NOT play with the appliance.

This appliance is not intended for use by persons (including children) with reduced physical, sensory or mental capabilities, or lack of experience and knowledge, unless they have been given supervision or instruction concerning use of the appliance by a person responsible for their safety.

Children aged from 3 to 8 years are allowed to load and unload refrigerating appliances.

To avoid contamination of foodstuffs, please respect the following instructions:

Opening the door for long periods can cause a significant increase of the temperature in the compartment of the appliance.

Clean regularly surfaces that can come in contact with drink and accessible drainage systems.

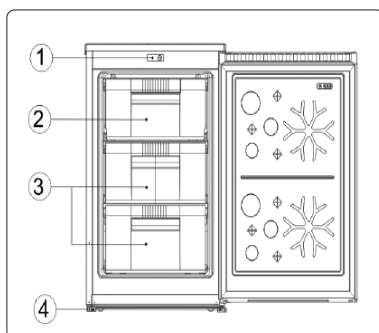
If the appliance is left empty for long periods, switch off, defrost, clean, dry, and leave the lid ajar to prevent mould developing within the appliance.

This refrigerant appliance is intended to be used at ambient temperatures ranging from 16°C to 38°C.

This refrigeration appliance is not intended to be used as a built-in appliance.

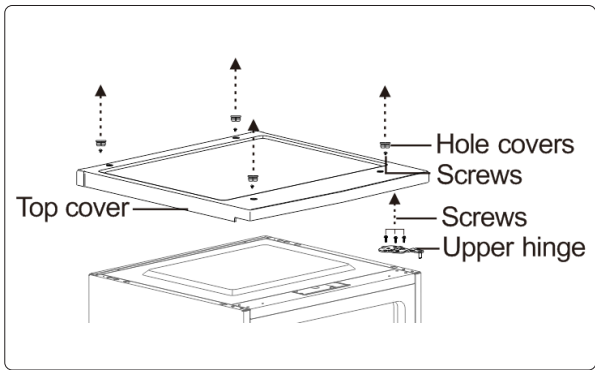
## Product Features

No	Description
1	Control panel
2	Flip cover
3	Freezer draws
4	Adjustable feet

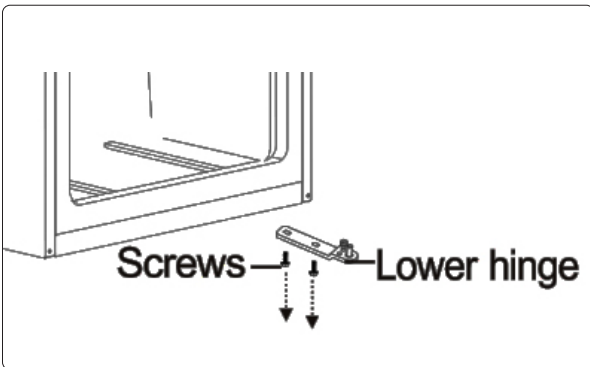


## DOOR REVERSAL INSTRUCTIONS

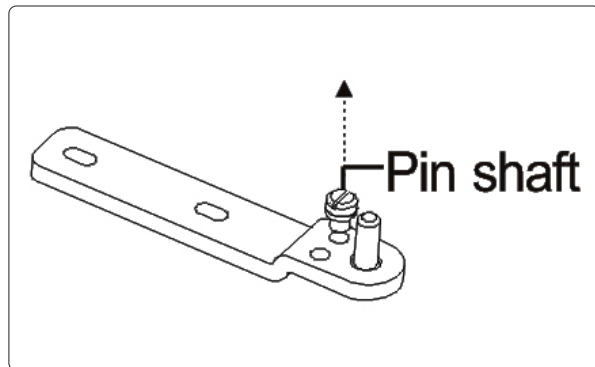
1. Make sure that your refrigerator is unplugged.
2. Pry hole covers and screws then pry the top cover up and remove the three screws that secure the upper hinge to the door, then remove the hinge.



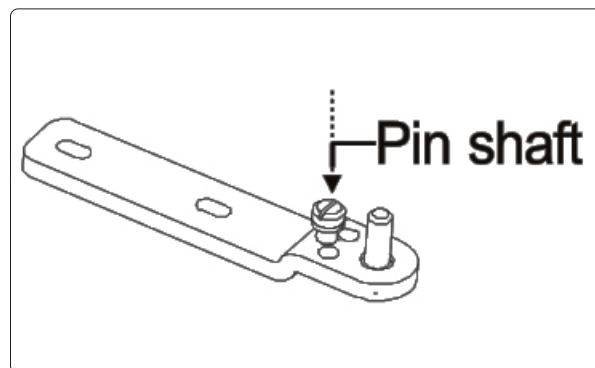
3. Remove the freezer compartment door from the cabinet.
4. Remove the screws that secure the lower hinge to the right side of the cabinet, then remove the hinge.



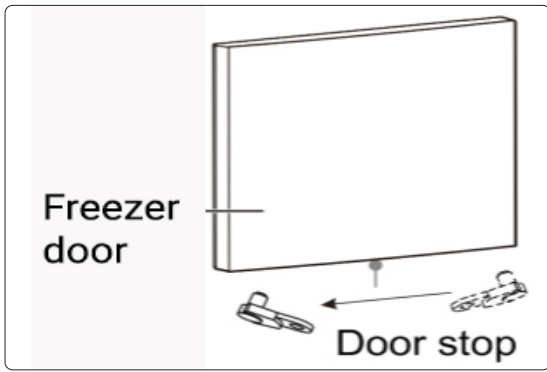
5. Remove the washer and nut that secure the pin shaft to the right hole on the lower hinge, then remove the shaft.



6. Insert the pin shaft into the left hole on the lower hinge, then secure the shaft with the washer and nut.

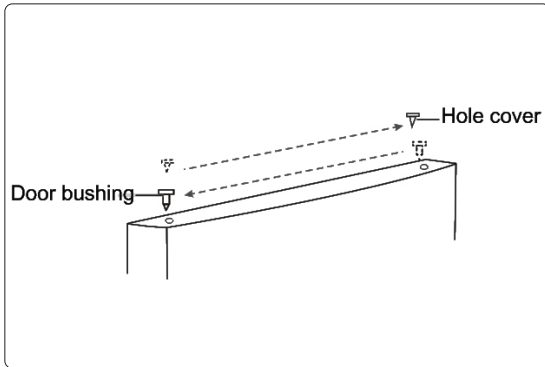


7. Install the lower hinge on the left side of the cabinet.
8. Remove the screw that secures the door stop from the bottom right of the freezer compartment door, then remove the door stop and install to the bottom left side.



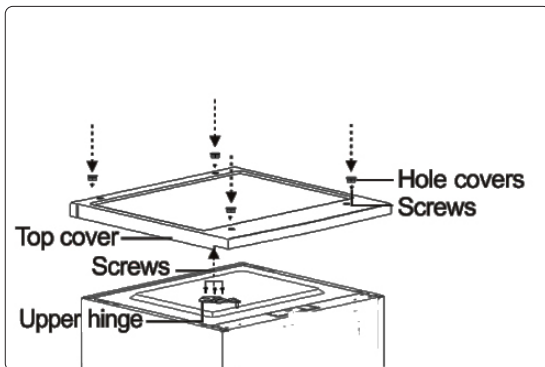
9. Installing the freezer compartment door.

10. Move the door bushing from the top right side of the freezer door to the top left side of the door. Then move the left hole cover to the right side.



11. Secure the upper hinge to the top left side of the cabinet with the three screws you removed previously. Before you tighten the upper hinge screws, make sure that the top of the door is level with the cabinet and that the rubber gasket makes a good seal.

12. Install the top cover over the cabinet.



**NOTE:** When installing the door, ensure that the top of the door is level with the top of the cabinet. If the door is not level, the rubber gasket will not make a good seal which will cause the freezer to malfunction.

## SPECIFICATION

MODEL NO:	DH250	DH251
Capacity	85L	85L
Colour	White	Black
Defrost Method	Manual	Manual
Door type	Reversible	Reversible
Energy Efficiency Class	E	E
Frequency	50Hz	50Hz
Fuse Rating	13A	13A
Internal Dimensions (W x D x H)	404 x 405 635mm	404 x 405 635mm
Number of Shelves	3	3
Nett Weight	27kg	27kg
Operating Sound Level:	39dB	39dB
Power Cable Length	1.8m	1.8m
Product Depth (Front to Back)	55.7cm	55.7cm
Product Dimensions (W x D x H):	549 x 557 x 845mm	549 x 557 x 845mm
Product height (Floor to top)	84.5cm	84.5cm
Product Width (Side to Side)	54.9cm	54.9cm
Temperature Range	-14--24°C	-14--24°C
Type	Under counter Freezer	Under counter Freezer
Product Dimensions (W x D x H):	549 x 557 x 845mm	549 x 557 x 845mm
Refrigerant	R600a (43g)	R600a (43g)
Voltage	220-240V	220-240V
Volume	85L	85L

## INSTALLATION LOCATION

### VENTILATION CONDITION

1. The position you select for the freezer installation should be well-ventilated and has less hot air. Do not locate the freezer near a heat source such as cooker, and avoid it from direct sunlight, thus guaranteeing the refrigeration effect while saving energy consumption. **DO NOT** locate the freezer in the damp place, so as to prevent the freezer from rusting. The quantity of the refrigerant gas of the freezer being divided by the total space of the room in which the freezer is installed should be less than 8g/m<sup>3</sup>.

Note: The amount of refrigerant gas for the freezer can be found on the serial plate.

2. Please allow at least 30mm of free space for the top of the unit, at least 100mm for both sides of the unit and at least 50mm for the rear of the unit.

W	D	H	A	B	C (°)	E	F	
549	557	845	910	1053	125+-	50	100	DH250 DH251

**NOTE:** Figure 1, Figure 2 only illustrate the space demand of the product.3.

### 3. Level ground

Place the freezer on the solid and flat ground (floor) to keep it stable, or else, it will vibrate and be noisy. When the freezer is placed on materials such as carpet, straw mat, polyvinyl chloride, solid backing plates should be fitted underneath the unit to prevent damage to the flooring.

**NOTE:** Unobstructed ventilation shall be maintained around the appliance or in an embedded structure.

### PREPARATIONS FOR USE

#### Standing time

1. After the freezer is properly installed and well cleaned, do not switch it on immediately. Leave the freezer to stand for more than 4 hours to allow gases to settle, thus ensuring its normal operation.

#### 2.Cleaning

Wipe the inside of the freezer with a soft cloth.

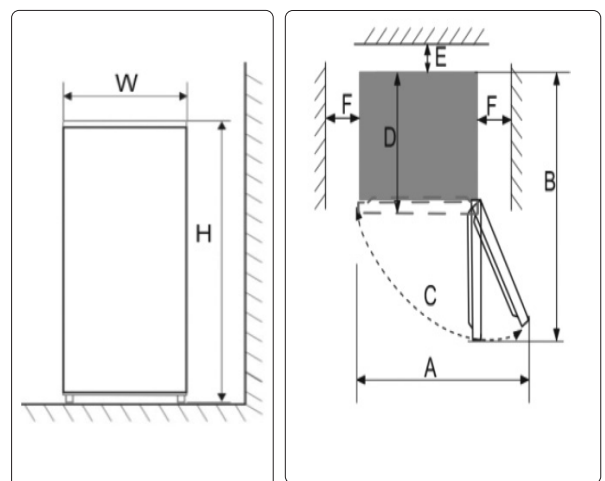
#### 3.Power-on

Insert the plug into the solid socket to start the compressor. After 1 hour, open the freezer door, if the temperature inside the freezer compartment drops, it indicates the refrigeration system is working normally.

#### 4.Storage of food

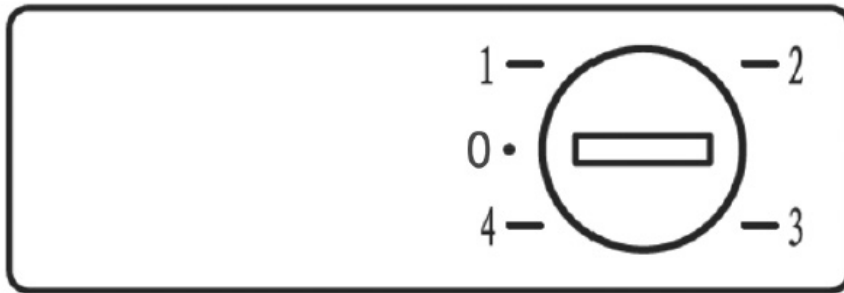
After the freezer runs for a period of time, the internal temperature of the freezer will be automatically controlled according to the user's temperature setting. After the freezer is fully cooled, put in your food, which usually need 2~3 hours to be fully cooled. In summer, when the temperature is high, it takes more than 4 hours for the foods to be fully cooled (Try to open the freezer door as less as possible before the internal temperature cools down).

**NOTE:** If the freezer is installed in a place with moisture, make sure to check the circuit breaker operation. If vibration and noises are produced



due to the freezer contacting the wall or if the wall gets blackened by air convection around the compressor, move the freezer away from the wall. Setting up the freezer may cause noise or image disturbance on your mobile phone, fixed-line telephone, radio receiver, television surrounding it, so try to keep the freezer as far away from these items as possible.

## OPERATION



## PRE CHECKS

1. Clean the freezer with lukewarm water and detergent and wipe dry.

Note: Electrical components should be cleaned with a dry cloth.

2. Turn the thermostat knob to the "2" position, and plug the freezer into the wall outlet. The compressor will begin to run.

3. Check, after 30 minutes of operation, to ensure that the freezer is cold.

## TEMPERATURE CONTROL

1. The temperature control (thermostat knob turned by coin) is located near the top of the unit.

2. Turning the thermostat knob adjusts the temperature of the freezer.

3. The marks on the knob represent different settings. Setting "1" is the warmest and setting "4" is the coolest.

4. We recommend setting is "2" for normal operating conditions.

**DO NOT** turn on the freezer for 4 hours. After the freezer is in place it needs to be left for 4 hours. This allows time for the coolant to settle.

## INSTRUCTIONS FOR FOOD STORAGE

**DO NOT** overload the freezer with food. Keep enough space between foods; if too close, the cold air flow will be blocked, thus affecting the refrigeration performance. **DO NOT** store excessive or overweight foods, to avoid the shelf from being crushed. When storing the foods, keep a distance away from the inner wall; and do not place the water-rich foods too close to the freezer rear wall, lest they get frozen on the inner wall.

## FREEZER MODE

Long-term storage of foods: The freezer compartment, where the temperature is generally controlled below  $-18^{\circ}\text{C}$ , is suitable for the preservation of foods for a long term, but the shelf life indicated on the food packages should be abided by.

Freezer drawer: Used for the frozen food storage; For large quantities of meat or fish, cut them into smaller pieces, pack them up separately with bags, and distribute them evenly in the drawer.

Allow the hot foods to cool down to the room temperature before putting them in the freezer compartment.

**DO NOT** put a glass container with liquid or canned liquids that are sealed into the freezer compartment, so as to avoid bursting due to volume expansion after the liquid gets frozen up.

It's better to pack the food up before freezing it, and the packing bag used should be dry, in case the packing bags get frozen together.

Foods should be packed or covered by suitable materials that are impervious to air and water, non-toxic and pollution-free, to avoid cross-contamination and transfer of odour.

## TIPS FOR SHOPPING THE FROZEN FOODS

1. When you are buying frozen food, look at the storage guidelines on the packaging. You will be able to store each item of frozen food for the period shown against the star rating. This is usually the period stated as "Best to use them before\*", found on the front or rear of the packaging.

2. Check the temperature of the frozen food cabinet in the shop where you buy the frozen foods.

3. Make sure the frozen food package is in perfect condition.

4. Always buy frozen products last on your shopping trip or visit to the supermarket.

5. Try to keep frozen food together whilst shopping and on the journey home, as this will help to keep the food cooler.

6. Don't buy frozen food unless you can freeze it straight away. Special insulated bags can be bought from most supermarkets and hardware shops. These keep the frozen foods cold longer.

7. For some foods, thawing before cooking is unnecessary. Vegetables and pasta can be added directly to boiling water or steam cooked.

Frozen sauces and soups can be put into a saucepan and heated gently until thawed.

8. Use quality food and handle it as little as possible. When foods are frozen in small quantities, it will take less time for them to freeze up and thaw.

9. Estimate the amount of foods to be frozen up. When freezing large amounts of fresh food, adjust the temperature control knob to the low mode, with the freezer temperature lowered. So, foods can be frozen up in fast manner, with the food freshness ensured.

## HOW TO USE THE ICE-MAKING BOX

Place the ice-making box in the upper position of the freezer compartment, so that it ices up as soon as possible.

## MOVING THE FREEZER

**DO NOT** drag or lift the freezer directly from its top frame when moving the freezer, to avoid damaging the top frame.

## LOCATION

**DO NOT** place your freezer near a heat source, e.g. cooker, boiler or radiator. Avoid it from direct sunlight in out-buildings or sun lounges.

## LEVELLING

Make sure to level your freezer using the front levelling feet. If not level, the freezer door gasket sealing performance will be affected, or even it may lead to the operating failure of your freezer.

After locating the freezer in position, wait for 4 hours before using it, so as to allow the refrigerant gas to settle.

## **INSTALLATION**

**DO NOT** cover or block the vents or grilles of your appliance.

If the appliance will not be used for several months, turn it off first, and then unplug the plug from the wall outlet. Take out all foods.

Clean and dry the interior thoroughly. To prevent odour and mould growth, leave the door ajar: block it open or have the door removed if necessary.

Keep the cleaned appliance in a dry, ventilated place and away from the heat source, place the appliance smoothly, and do not place heavy objects on top of it.

## **MAINTENANCE AND CLEANING**

**WARNING:** Before cleaning, unplug the power plug first; Do not plug in or plug out the plug with wet hand, because there is a risk of electric shock and injury. Do not spill water directly on the freezer, to avoid rust, electricity shock and accidents. Do not stretch your hands into the bottom of the freezer, since you might be scratched by sharp metal corners.

### **INTERNAL CLEANING AND EXTERNAL CLEANING**

The food residuals in the freezer are liable to produce bad odour, so the freezer must be cleaned regularly.

Remove all shelves, crisper box, bottle racks, cover board, and drawers etc., and clean them with a soft towel or sponge dipped in warm water or neutral detergent.

Clear off the dusts accumulated on the rear panel and side plates of the freezer often.

After using detergent, be sure to rinse it with clean water, and then wipe it dry.

**DO NOT** use bristle brush, steel wire brush, detergent, soap powder, alkaline detergent, benzene, gasoline, acid, hot water and other corrosive or soluble items to cleanse the cabinet surface, door gasket, plastic decorative parts, etc, so as to avoid damage.

Carefully wipe dry the door gasket, clean the groove using a wooden implement wrapped with cotton string. After the cleaning, fix the four corners of the door gasket first, and then embed it segment by segment into the door groove.

### **INTERRUPTION OF POWER SUPPLY OR FAILURE OF THE REFRIGERATING SYSTEM**

Take care of the frozen foods in the event of an extended non-running of the refrigerating appliance (such as interruption of power supply or failure of the refrigerating system).

Try to open the freezer door as less as possible, in this way can food safely and freshly kept for hours even in hot summer.

If you get the power outage notice in advance.

1) Adjust the thermostat knob to the high mode an hour in advance, so that foods get fully frozen (Do not store new food during this time).

Restore the temperature mode to the original setting when power supply becomes normal in a timely manner.

2) You can also make ice with a watertight container, and put it in the upper part of the freezer, so as to extend the time for fresh food to be stored.

**NOTE:** Once the freezer is used, you'd better use it continuously; and under normal circumstance, do not stop its use, so as not to affect the service life.

## **DEFROSTING**

After a period of use, a thin layer of frost will be formed on the freezer compartment inner wall (or evaporator) surface, which may affect the refrigeration effect if exceeding 5mm in thickness. In such case, you need to gently scrape the frost off using an ice scraper rather than the metal or sharp hardware. Frost needs to be cleared off every 3 months or so, and if the drawers and access of foods are affected by frosting, make sure to remove the frost in a timely manner.

### **FOLLOW THE FOLLOWING STEPS TO DEFROST**

1. Take out the frozen foods, shut off the mains power supply, open the freezer door, and gently remove the frosts from the inner wall with an ice scraper. To speed up the thawing process, you are suggested to place a bowl of hot water inside the freezer, and when the solid ice frosts become loose, use an ice scraper to scrape them off and then take them out.

2. After defrosting, clean the freezer inside, and switch on the power supply.

**NOTE:** When the appliance is not in use for long periods, disconnect from the electricity supply, empty all foods and clean the appliance, leaving the door ajar to prevent unpleasant smells.

### **SAFETY-CHECK AFTER MAINTENANCE**

Is the power cord broken or damaged?

Is the power plug firmly inserted into the socket?

Is the power plug abnormally overheated.

**NOTE:** Electric shock and fire accident may be caused in case the power cord and plug is damaged or stained by dust. If any abnormality, please unplug the power plug and get in contact with the vendor.

### **HOW TO DISASSEMBLE THE PARTS**

#### **SHELVES**

Hold one end of the shelf, and lift it up while pulling it outwards.

#### **FLIP COVER**

Keep the flip cover in the vertical direction, align it with the rotating shaft opening on the right side, and pull it outward to remove it.

During use of the freezer, do not close the door when the flip cover is opened, to avoid damaging the freezer door.

## TROUBLESHOOTING

Fault	Checks	Solutions
No operation	Is power switched off Are breakers and fuses tripped or blown No electricity power cut	Switch on Open the door and checking whether the lamp is lit.
Abnormal noise	Is freezer stable. Does freezer touch the wall.	Adjusting freezer's adjustable feet. Pull away from wall.
Poor refrigerating efficiency	Hot food or overloading.  Door closing. Is the freezer in direct sunlight or close to central heating. Is the freezer well ventilated. Check temperature settings	Allow food to cool and do not overload compartments. Check the door closing times and seal. Move appliance to a cooler area.  Clear vents to maintain good ventilation. Set the appropriate temperature.
Peculiar smell in freezer	Spoiled food. Freezer requires cleaning.	Remove offending articles. Clean freezer.


- **WARNING:** That the appliance shall be disconnected from its power source during service and when replacing parts and, if that the removal of the plug is foreseen, it shall be clearly indicated that the removal of the plug has to be such that an operator can check from any of the points to which he has access that the plug remains removed.
- Cleaning and user maintenance on the appliance shall not be made by children without supervision.
- Remove rubber cover from drain hole inside the freezer compartment.
- Place suitable water container under the drain cover in the lower left corner of the front panel, remove the drain cover, withdraw the drain body and rotate it such that the drain hole is placed above the water container.
- Reverse the procedure when operation is complete.

### Environment Protection and Waste Protection and Electrical Equipment Regulations (WEEE)

Recycle unwanted packaging materials. When this product is no longer required, or has reached the end of its useful life, please dispose of it in an environmentally friendly way. Drain any fluids (if applicable) into approved containers, in accordance with local waste regulations. Under the Waste Batteries and Accumulators Regulations 2009, Dellonda would like to inform the user that this product contains one or more batteries. It is our policy to continually improve products and we reserve the right to alter data, specifications and parts without prior notice. No liability is accepted for incorrect use of this product. Guarantee is 12 months from purchase date, proof of which is required for any claim.

## Dellonda Limited, Sole UK Distributor of Baridi

Kempson Way, Suffolk Business Park, Bury St Edmunds, Suffolk. IP32 7AR

 01284 757575

 support@dellonda.co.uk

 www.dellonda.co.uk