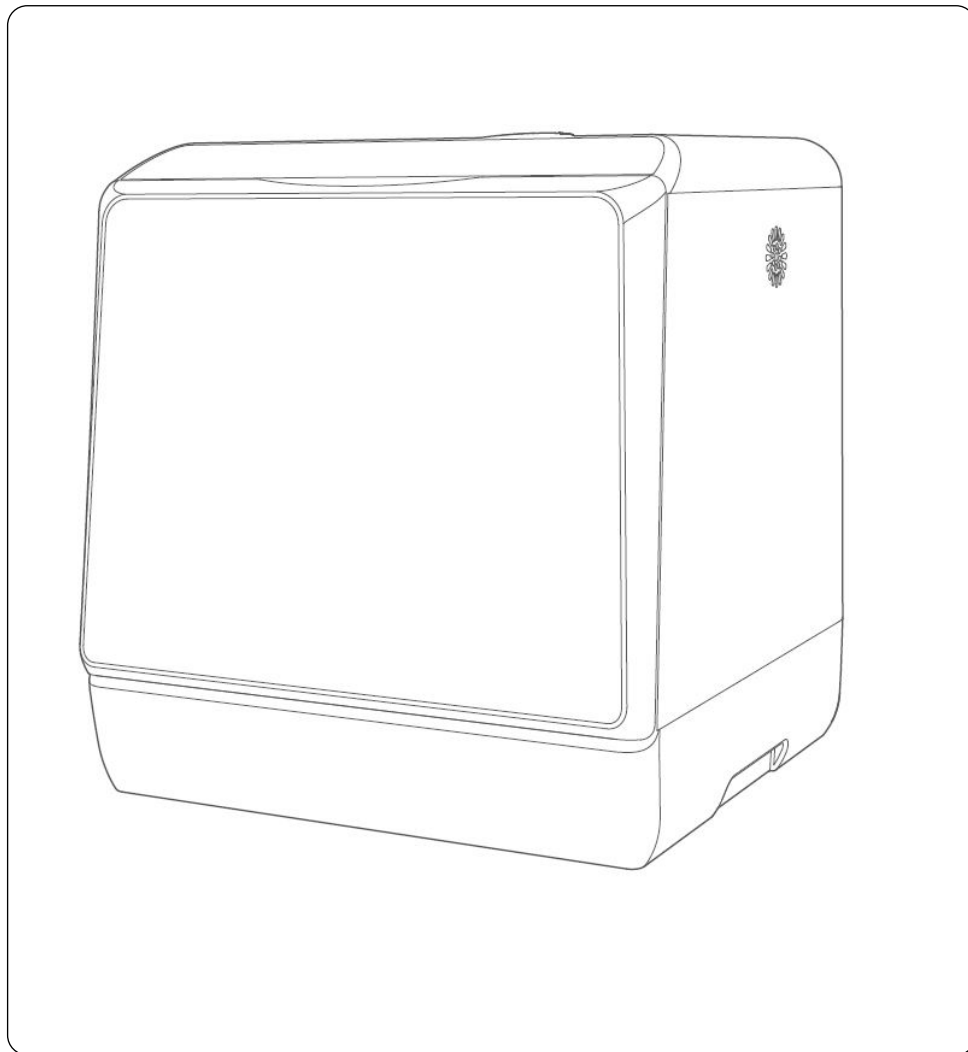


baridi

Baridi 2-4 Place Settings Mini Portable Tabletop Dishwasher, 5 Wash Functions



Model No: DH224A

Thank you for purchasing a Baridi product from the Dellonda range. Manufactured to a high standard, this product will, if used according to these instructions, and properly maintained, give you years of trouble free performance.

Important Information

Please read these instructions carefully and note any safe operational requirements, warnings & cautions. Use the product correctly and with care for the purpose for which it is intended. Failure to do so may cause damage and/or personal injury and will invalidate the warranty. Keep these instructions safe for future use.



Refer to
instructions



Indoor use
only

• ELECTRICAL SAFETY

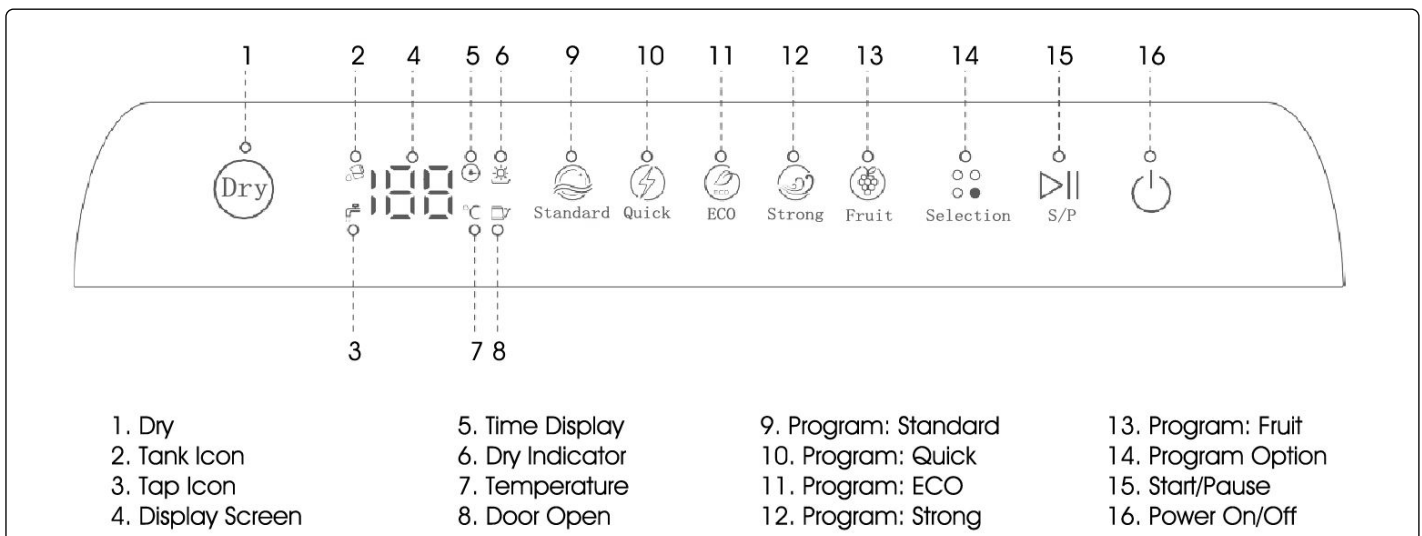
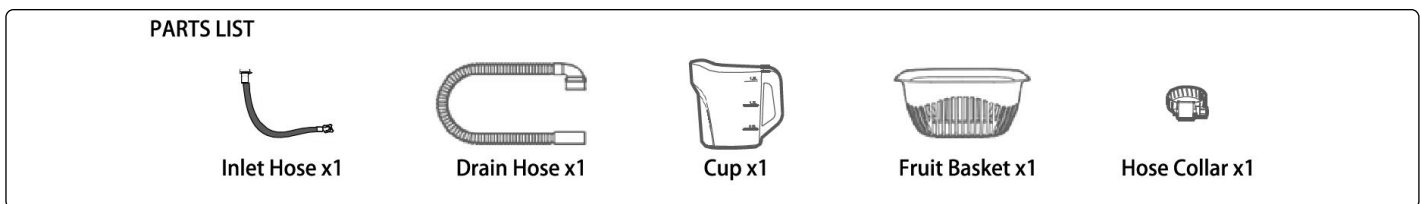
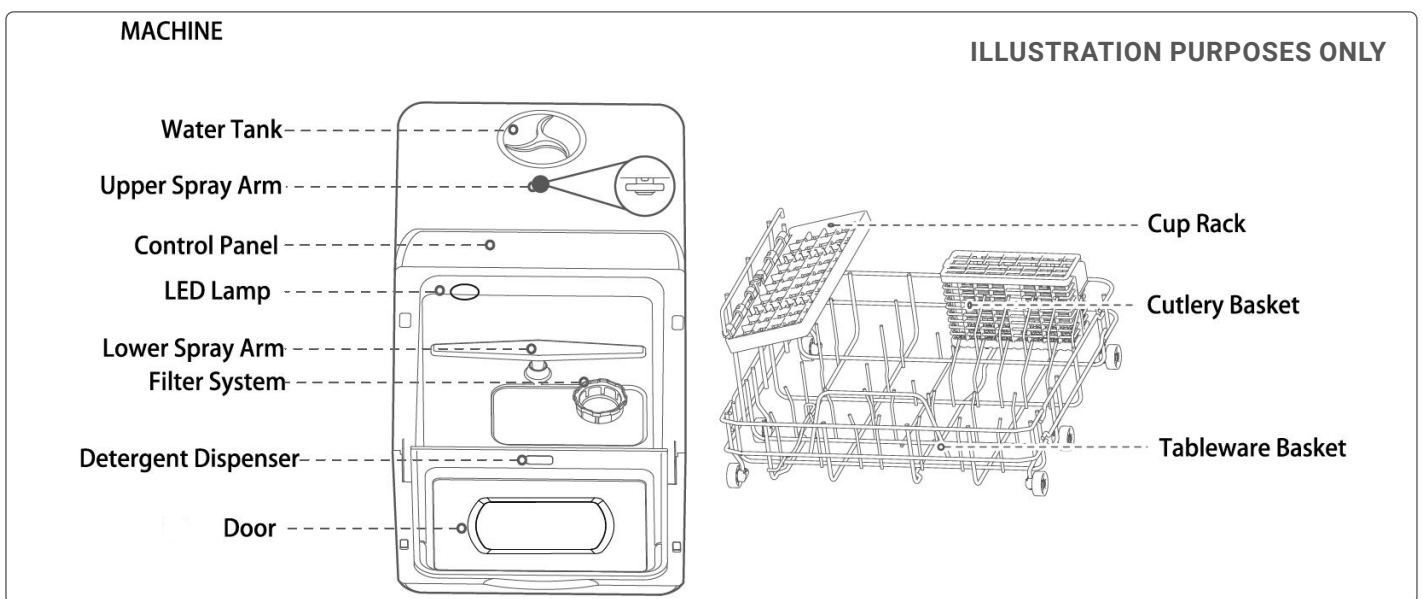
- **WARNING!** It is the user's responsibility to check the following:
- Check all electrical equipment and appliances to ensure that they are safe before using. Inspect power supply leads, plugs and all electrical connections for wear and damage. Dellonda recommend that an RCD (Residual Current Device) is used with all electrical products.
- Electrical safety information. It is important that the following information is read and understood:
- Ensure that the insulation on all cables and on the appliance is safe before connecting it to the power supply.
- Regularly inspect power supply cables and plugs for wear or damage and check all connections to ensure that they are secure.
- **IMPORTANT:** Ensure that the voltage rating on the appliance suits the power supply to be used and that the plug is fitted with the correct fuse.
- **DO NOT** pull or carry the appliance by the power cable.
- **DO NOT** pull the plug from the socket by the cable.
- **DO NOT** use worn or damaged cables, plugs or connectors. Ensure that any faulty item is repaired or is replaced immediately by a qualified electrician.
- If the cable or plug is damaged during use, switch off the electricity supply and remove from use.
- Ensure that repairs are carried out by a qualified electrician.

• GENERAL SAFETY

- **WARNING!** When using the counter top dishwasher, follow the precautions listed below.
- This appliance is intended to be used in household and similar application such as:
 - staff kitchen areas in shops, offices and other working environments;
 - farm houses;
 - by clients in hotels, motels and other residential type environments;
 - bed and breakfast type environments.
- This appliance can be used by children aged from 8 years and above and persons with reduced physical, sensory or mental capabilities or lack of experience and knowledge if they have been given supervision or instruction concerning use of the appliance in a safe way and understand the hazards involved.
- Children shall not play with the appliance. Cleaning and user maintenance shall not be done by children without supervision. Packaging material could be dangerous for children!
- This appliance is for indoor household use only.
To protect against the risk of electrical shock, do not immerse the unit, power cord or plug in the water or in any other liquid.
- Please unplug before cleaning and performing maintenance on the appliance.
- Use a soft cloth moistened with mild soap, and then use a dry cloth to wipe it again.
- **DO NOT** abuse, sit on, or stand on the door or dish rack of the dishwasher.
- **DO NOT** open the door when the machine is washing or drying.
- **DO NOT** operate your dishwasher unless all enclosure panels are properly in place.
- When loading items to be washed:
 - 1.) Locate sharp items so that they are not likely to damage the door seal;
 - 2.) **WARNING!** Knives and other utensils with sharp points must be loaded in the basket with their points facing down or placed in a horizontal position.
- Check that the detergent powder compartment is empty after completion of the wash cycle.
- **DO NOT** wash plastic items unless they are marked "dishwasher safe" or the equivalent.
- For plastic items, check the manufacturer's recommendations.
- Use only detergent and rinse agents recommended for use in an automatic dishwasher.
- Never use soap, laundry detergent, or hand washing detergent in your dishwasher.
- The door should not be left open, since this could increase the risk of tripping.
- If the supply cable is damaged, it must be replaced by the manufacturer or its service agent or a similarly qualified person in order to avoid a hazard.
- During installation, the power supply cable must not be excessively or dangerously bent or flattened.

- **DO NOT** tamper with the controls.
- The appliance needs to be connected to the main water supply using new hose sets. Old sets should not be reused.
- The maximum number of place settings to be washed is 4.
- The maximum permissible inlet water pressure is 1 MPa.
- The minimum permissible inlet water pressure is 0.04MPa.
- **DO NOT** place the machine outside or in cold conditions under 0°C.
- Use salt and detergent which is designed for dishwashers
- Ensure the machine is positioned in a stable, dry, non-slip environment.
- **DO NOT** place and use the machine within 150mm of a gas stove or other heating source.
- **DO NOT** splash water onto the machine.
- **DO NOT** block the side air outlet.
- **DO NOT** tilt or move the machine when washing.
- Check and clean the machine regularly to maintain best performance.
- Fix the drain hose to avoid leakages.
- **DO NOT** forcibly pull the power cord, drain hose, press cutlery tray to avoid any damage.
- **DO NOT** use the machine when your hands are wet to avoid electric shock.
- Keep chemical materials such as salt and detergent out of reach of children.

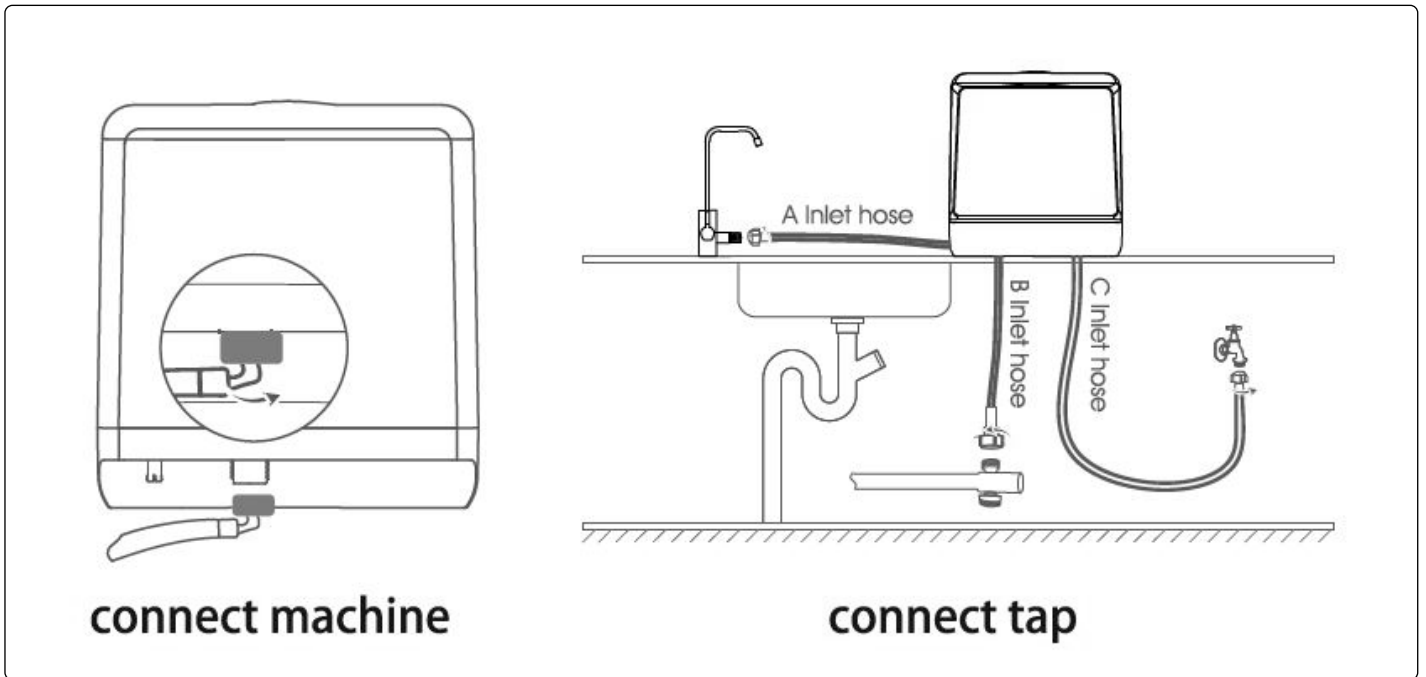
• OVERVIEW



- **INSTALLATION**

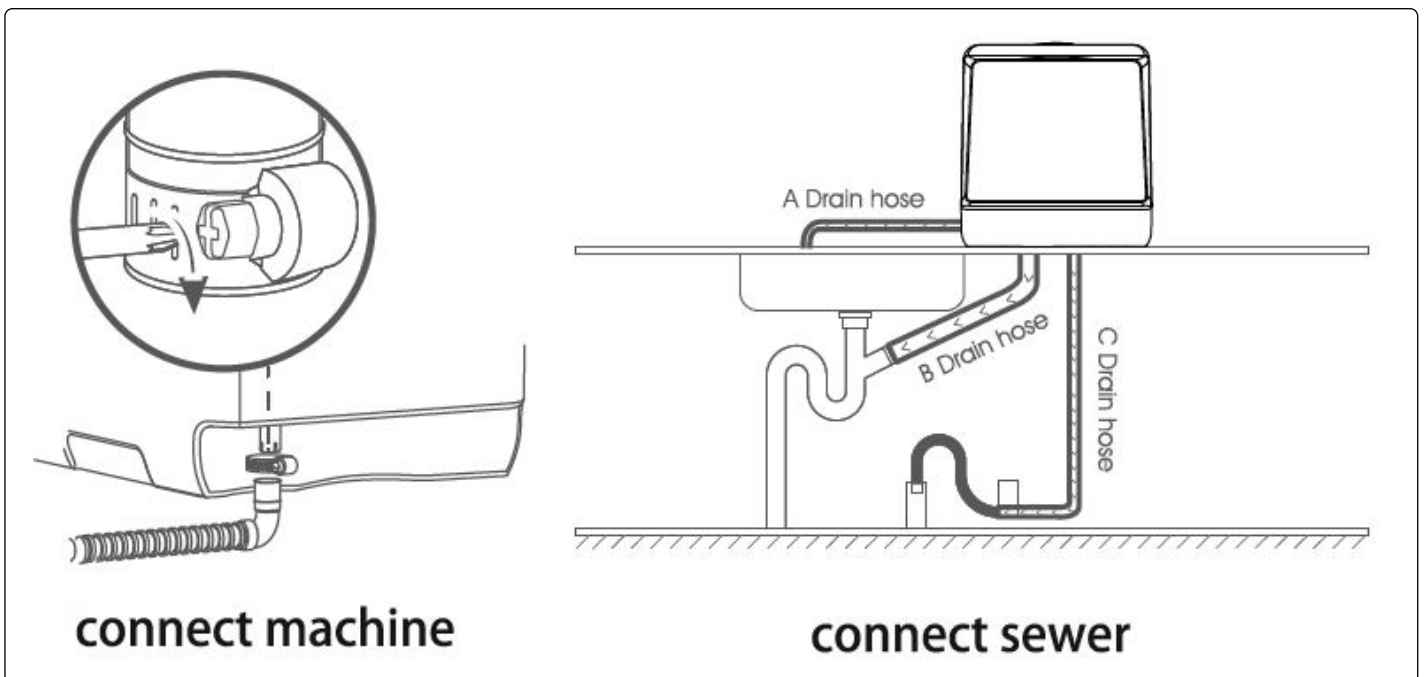
- **INLET HOSE INSTALLATION**

- **Connect Machine.** Insert inlet hose elbow into the water inlet at the rear of the machine and tighten the screw.
- **Connect Tap.** Use option A, B or C as shown below.



- **DRAIN HOSE INSTALLATION**

- **Connect Machine.** Insert drain hose elbow to the water outlet behind machine and tighten the collar.
- **Connect Sewer.** Use option A, B or C as shown below.



- **TABLEWARE LOADING**

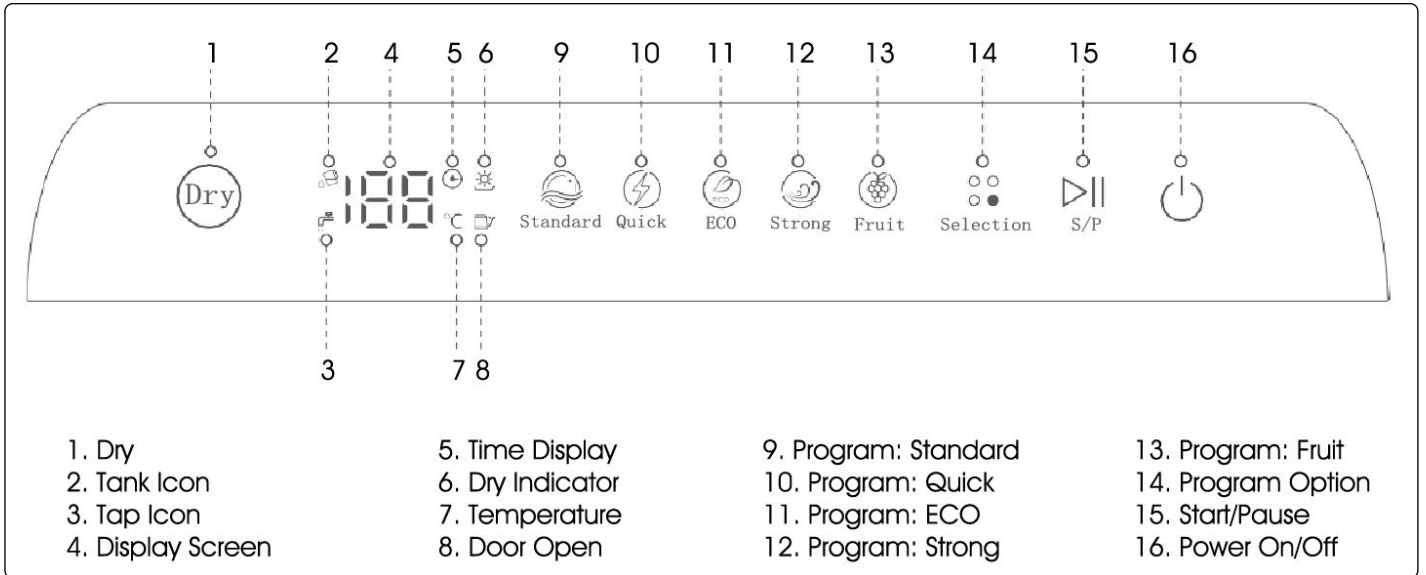
- Remove large food residue from tableware before loading the machine.
- In order to fully clean tableware, please tilt tableware internally or put stained face down.

- **CLEANING PROGRAM: ECO**

- Under ECO washing Program, add a detergent tablet, then start washing. When 18 minutes are left before washing finish, pause washing, open the door and add 2ml rinse aid, then close the door to continue the washing till the programme has finished.

• OPERATION

- Refer to the control panel diagram below.



• POWER ON/OFF

- Plug in the machine. Touch "POWER" to turn on.
- During washing program running, touch "POWER" for 3 seconds to force the machine to turn off.

• ADD DETERGENT

- Open the door, add moderate detergent powder, or 1 detergent tablet into the machine.
- Close the door.
- **DO NOT** use detergent when using the 'fruit washing' setting.

• PROGRAM SELECTION

- Touch the programme icon you wish to use.

• RUN PROGRAM

- Touch "START/PAUSE" to run the selected program.
- The machine will check water supply automatically.

NOTES:

- If the "TAP" or "TANK" indicators turn red, you need to open the tap or fill the tank with water.
- The machine will automatically go into standby mode if there is no water supply.
- Touch "START/PAUSE" to pause the machine to add tableware during washing.
- Touch "POWER" for 3 seconds to end the program. The machine will drain.
- Touch "DRY" to add 73 minutes of air circulation. Only use this setting if placing wet dishes in the dishwasher.

• WASH

- The machine has two water supply modes - tap and tank.
- If tank is full, the machine will switch into tank mode automatically;
- Fill 3 cups of water into tank. The machine will sound an alarm if the tank is full, and the "TANK" symbol will become white.

• FUNCTIONS

PROGRAM	PROGRAM EXECUTION	TIME	DETERGENT	TEMP	DRYING TIME	STORAGE (IF SELECTED)
Standard	Hot water washing Cold water rinsing Cold water rinsing Hot water washing	69 mins	8g	Washing 55°C Rinsing 68°C	60 mins	Circulating fresh air 73 minutes
Quick	Hot water washing Cold water rinsing Hot water rinsing	29 mins	8g	Washing 50°C Rinsing 62°C	60 mins	Circulating fresh air 73 minutes
Strong	Hot water washing Hot water rinsing Cold water rinsing Hot water rinsing	89 mins	12g	Washing 55°C Rinsing 55°C Rinsing 75°C	60 mins	Circulating fresh air 73 minutes
ECO	Hot water washing Cold water rinsing Hot water rinsing	59 mins	8g	Washing 55°C Rinsing 68°C	60 mins	Circulating fresh air 73 minutes
Fruit	Cold water rinsing Cold water rinsing	19 mins	/	/	/	/
Dry	/	/	/	/	60 mins	Circulating fresh air 73 minutes

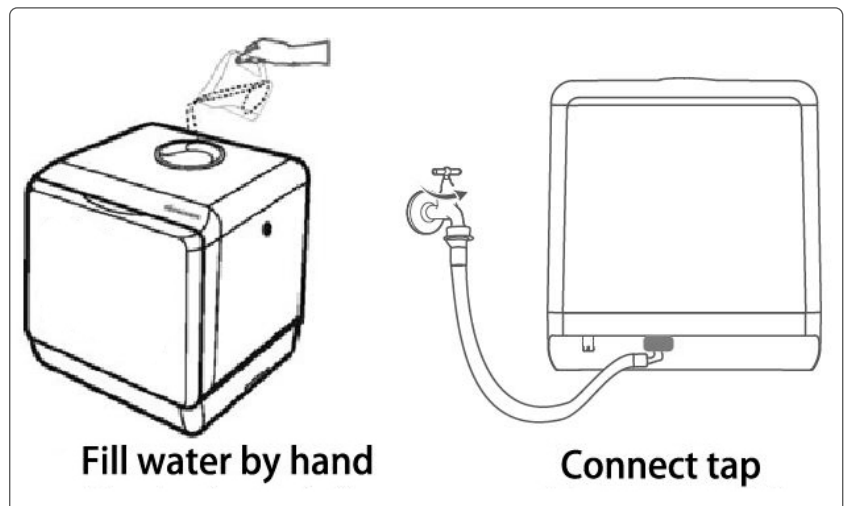
• CLEANING & MAINTENANCE

• FILTER CLEANING

- **Disassemble.** Rotate anticlockwise to disassemble the filter set, which includes three parts - filter mesh, main filter and fine filter.
- **Clean.** Use water to flush and brush each of the filter parts.
- **Assemble.** After cleaning, rotated clockwise to close the filter set.

• SPRAY-ARMS CLEANING

- **Disassemble.** Open the door, take out the basket, then pull out top and bottom spray arms.
- **Clean.** Use water to flush and brush each spray arm. Use suitable tools to clean if needed.
- **Assemble.** After cleaning, turn each arm to ensure they can move smoothly.



• TROUBLESHOOTING

• FAULT CODES

Code	Fault	Solution
E2	Draining	1. Check the drain pipe is straight with no bends. 2. Power off and check if anything is blocking the filter or drain pipe. 3. Ensure all pipes are clear from blockages.
E3	Overflowing	Tilt the machine to 30~45 degrees. Let the water flow out from the base of the machine before restarting the machine. If there is still a fault, contact Dellonda
E4	Temperature	Restart machine. If there is still a fault, contact Dellonda.
ES	Message	
E6	Heating	
E7	Pressure	

• TROUBLESHOOTING TABLE

Problem	Cause	Solution
Tableware is not clean.	Incorrect tableware loading.	Ensure there is a gap between tableware.
	Spray arm trapped.	Ensure nothing is trapping the spray arm.
	Blocked spray arm.	Clean the spray arm.
	Blocked filter.	Clean the filter set.
	Incorrect filter installation.	Correctly assemble the filter set.
	Incorrect program selection.	Select appropriate washing program.
	No detergent.	Add detergent (block/powder/liquid).
Machine does not start.	Water shortage.	Add water till the indicator light off.
	Door not fully closed.	Check that nothing is preventing the door from closing.
Cannot select program.	Program already running.	Stop the current cycle before selecting the desired program.
Tableware is not dry.	Inappropriate program.	Select appropriate program.
	Incorrect tableware loading.	Ensure tableware is tilted and spread out to enable airflow.
	Wooden tableware.	Wooden tableware may require hand drying.
Discolouration of plastic tableware.	Washing temperature too high.	Select a program with a lower temperature.
Detergent left.	Trapped spray arm.	Ensure the spray arm can move smoothly.
	Poor quality detergent.	Use a quality detergent.
Foam left in the machine.	Using incorrect detergent.	1. Use detergent designed for dishwashers. 2. Open the machine and wipe out foam by hand. 3. Fill the machine with 2-3L of water and select any program. After 1-2min the foam will be drained. Repeat if necessary.
Abnormal sound in the machine.	Spray arm knocking tableware.	Ensure tableware is loaded correctly.
	The tableware is moving slightly.	Ensure tableware is secure before washing.
Water drops left inside of the machine.	Drying time is not long enough.	Use the "DRY" program after washing.



Environment Protection, Waste Electrical and Waste Electronic Equipment Regulations (WEEE)



Recycle unwanted packaging materials. When this product is no longer required, or has reached the end of its useful life, please dispose of in an environmentally friendly way. Drain any fluids (if applicable) into approved containers, in accordance with local waste regulations. Please note that this product contains one or more batteries. It is our policy to continually improve products and we reserve the right to alter data, specifications and parts without prior notice. No liability is accepted for incorrect use of this product. Guarantee is 12 months from purchase date, proof of which is required for any claim.



Dellonda Limited, Sole UK Distributor of Baridi

Kempson Way, Suffolk Business Park, Bury St Edmunds, Suffolk. IP32 7AR



01284 757575



support@dellonda.co.uk



www.dellonda.co.uk