

baridi

Vertical 360° Rotisserie Smokeless Grill



Model No. DH216

Thank you for purchasing a Dellonda product. Manufactured to a high standard, this product will, if used according to these instructions, and properly maintained, give you years of trouble free performance.

Important Information

Please read these instructions carefully and note any safe operational requirements, warnings & cautions. Use the product correctly and with care for the purpose for which it is intended. Failure to do so may cause damage and/or personal injury and will invalidate the warranty. Keep these instructions safe for future use.



Refer to
instruction
manual



Warning:
Hot
Surface



Indoor use
Only



Warning:
Can cause
Fire



Warning:
Electricity

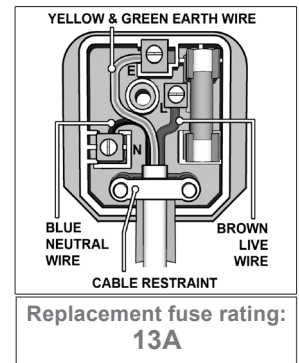


Wear
Protective
Gloves

SAFETY INSTRUCTIONS

• ELECTRICAL SAFETY

- **WARNING!** It is the user's responsibility to check the following:
- Check all electrical equipment and appliances to ensure that they are safe before using. Inspect power supply leads, plugs and all electrical connections for wear and damage. Baridi recommend that an RCD (Residual Current Device) is used with all electrical products. You may obtain an RCD by contacting your local domestic stockist. If the product is used in the course of business duties, it must be maintained in a safe condition and routinely PAT (Portable Appliance Test) tested.
- **Electrical safety information:** It is important that the following information is read and understood.
- Ensure that the insulation on all cables and on the appliance is safe before connecting it to the power supply.
- Regularly inspect power supply cables and plugs for wear or damage and check all connections to ensure that they are secure.
- **Important:** Ensure that the voltage rating on the appliance suits the power supply to be used and that the plug is fitted with the correct fuse - see fuse rating in these instructions.
- **DO NOT** pull or carry the appliance by the power cable.
- **DO NOT** pull the plug from the socket by the cable.
- **DO NOT** use worn or damaged cables, plugs or connectors.
- Ensure that any faulty item is repaired or replaced immediately by a qualified electrician.
- This product is fitted with a BS1363/A 3 pin plug. If the cable or plug is damaged during use, switch off the electricity supply and remove from use. Ensure that repairs are carried out by a qualified electrician.
- Replace a damaged plug with a BS1363/A 3 pin plug. If in doubt contact a qualified electrician.
 - A) Connect the GREEN/YELLOW earth wire to the earth terminal 'E'.
 - B) Connect the BROWN live wire to the live terminal 'L'.
 - C) Connect the BLUE neutral wire to the neutral terminal 'N'.
- Ensure that the cable outer sheath extends inside the cable restraint and that the restraint is tight.
- Dellonda recommend that installation and repairs are carried out by a qualified electrician.



• GENERAL SAFETY

- When using electrical appliances, basic safety precautions should always be followed, including the following:
- **READ ALL INSTRUCTIONS.**
- **DO NOT** touch hot surfaces. Use handles or knobs.
- To protect against electric shock, **DO NOT** immerse cord, plugs, or appliance in water or other liquid.
- This appliance can be used by children aged from 8 years and above, and persons with reduced physical, sensory or mental capabilities or lack of experience and knowledge if they have been given supervision or instruction concerning use of the appliance in a safe way and understand the hazards involved.
- Children should be supervised to ensure that they do not play with the appliance.
- Cleaning and user maintenance shall not be made by children unless they are older than 8 and supervised.
- Unplug from outlet when not in use and before cleaning. Allow to cool before putting on or taking off parts, and before cleaning the appliance.
- **DO NOT** operate any appliance with a damaged cord or plug or after the appliance malfunctions, or has been damaged in any manner. Bring it to a qualified technician for examination, repair or electrical or mechanical adjustment.
- The use of accessory attachments not recommended by the appliance manufacturer may cause injuries.
- **DO NOT** use outdoors.
- **DO NOT** let cord hang over edge of table or counter, or touch hot surfaces.
- To disconnect from mains supply, end all function operations on the control panel. Then remove plug from wall outlet.
- **DO NOT** use appliance for other than intended use.
- **CAUTION HOT SURFACES:** This appliance generates heat and escaping steam during use. Proper precautions must be taken to prevent the risk of burns, fires, or other injury to persons or damage to property.
- **CAUTION:** This appliance is hot during operation and retains heat for some time after turning OFF.
- Always use oven mitts when handling hot materials and allow metal parts to cool before cleaning.
- All users of this appliance must read and understand this instruction manual before operating or operating or cleaning this appliance.
- The cord to this appliance should be plugged into a 220-240V AC electrical outlet only.
- If this appliance begins to malfunction during use, immediately turn the power off and unplug the cord. **DO NOT** use or attempt to repair the malfunctioning appliance.
- **DO NOT** leave this appliance unattended during use.
- **DO NOT** immerse power cord in any liquid. If the supply cord is damaged it must be replaced by the manufacturer or an authorized service agent or a qualified technician in order to avoid a hazard.
- Keep the cord out of reach from children and infants to avoid the risk of electric shock and choking.
- This appliance is intended to be used in household and similar applications such as: staff kitchen areas in shops, offices and other working environments areas in shops, offices and other working environments, farm houses.
- If the electrical circuit is overloaded with other appliances, your appliance may not operate properly. It should be operated on a separate electrical circuit from other appliances.

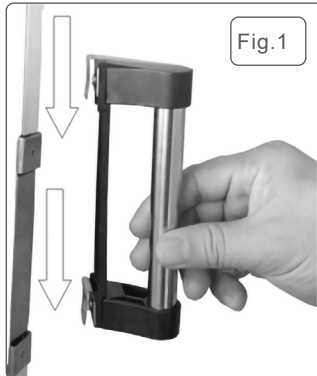
OPERATION

NOTE: Remove any stickers except Safety Labels from the unit. Remove all supplied components and wash them in clean soapy water. Dry thoroughly before use.

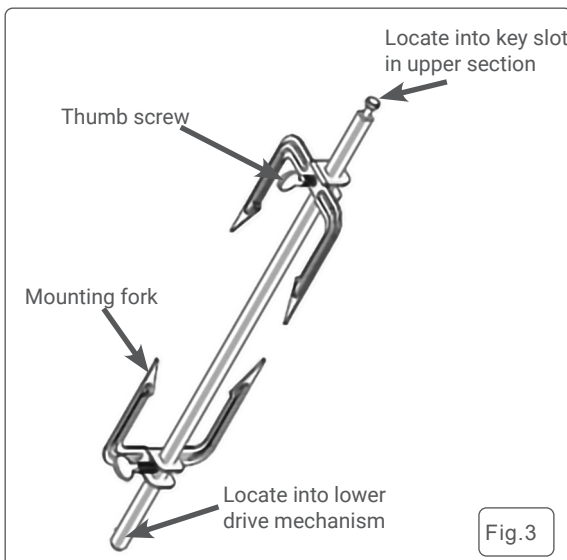
NOTE: Place the rotisserie on a flat, stable surface. Ensure that air gaps of at least 100mm (4inches) exist all around the unit.

NOTE: When you are ready to use the grill, be sure that the timer control is in the "OFF" position and unplugged. We recommend a trial run to familiarize yourself with your grill and to eliminate any protective substance or oil that may have been used for packing and shipping. Plug the cord into an ac outlet with compatible voltage. Select heating setting by the pressing the switch on the base to high (II), set the timer control to "10" minutes. A small amount of smoke and odour may be detected. This is normal.

NOTE: The door handle is removable to let you take it out and clean the inside of unit. Before you use the grill, please re-assemble the handle (see fig.1).



- The rotisserie spit (fig.3), slots into the key-type cut-out in the upper section with the square-ended section fitted into the lower drive mechanism.
- The rotisserie is supplied with a range of spit sets. These are: forks for mounting chickens or Donor kebab style foods (fig.3), 7 skewers for Shish kebabs (fig.4), two fish baskets (fig.5) and 2 additional baking trays (fig.6).
- When making Shish kebabs, locate the hanger plate with plain holes at the lower end of the spindle and the hanger plate with the key-slots at the upper end.
- When using the fish baskets place the lower Shish kebab plate at the lower part of the spindle and slide the two baskets onto it. Tighten the thumbscrew on the plate to fix the baskets at the correct height.
- Two additional baking trays are supplied. Fix these in the required location on the spindle using the thumbscrews fitted to the trays.



- **WARNING:** Wear protective gloves / mittens at all times when handling components.
- **SUGGESTED COOKING GUIDELINES: (Refer to food product supplier instructions)**
- Chicken / Duck (Medium size): 30 - 45 minutes
- Steak : 45-60 minutes
- Kebabs: 20 - 30 minutes
- Vegetables: 15 - 20 minutes
- Fish: 20 - 32 minutes

MAINTENANCE

- **WARNING:** Turn the TIMER Control to "Off", switch heating speed to "off" position and unplug before cleaning.
- Allow the grill and all accessories to cool completely before cleaning.
- Clean the outside of the grill with a damp cloth and dry thoroughly. Clean stubborn stains with a non-abrasive liquid cleaner. Do not use metal scouring pads or abrasive cleaners that will scratch the surface.
- Clean the glass door with a cloth or sponge dampened with warm, soapy water and dry thoroughly.
- Wash the drip pan in hot, sudsy water or in the dishwasher. Clean stubborn stains with a nylon or polyester mesh pad and a mild, non-abrasive cleaner. Rinse and dry thoroughly.
- If crumbs and spills have accumulated on the bottom of the grill wipe with a damp cloth and dry thoroughly.
- The walls on the inside of the grill allow food particles or spatters during use to be easily wiped clean. Remove heavy spatter after use with a nylon or polyester mesh pad, sponge or cloth dampened with warm water. Blot dry with a paper towel or soft, dry cloth.
- The Rotisserie spit and forks (without screws attached), kebab skewers and trays (without screws attached) can be placed in the dishwasher or washed in warm soapy water. Wash the screws in warm soapy water and dry thoroughly.



Environment Protection, Waste Electrical and Waste Electronic Equipment Regulations (WEEE)



Recycle unwanted packaging materials. When this product is no longer required, or has reached the end of its useful life, please dispose of in an environmentally friendly way. Drain any fluids (if applicable) into approved containers, in accordance with local waste regulations.



Please note that this product contains one or more batteries. It is our policy to continually improve products and we reserve the right to alter data, specifications and parts without prior notice. No liability is accepted for incorrect use of this product. Guarantee is 12 months from purchase date, proof of which is required for any claim.



Dellonda Limited, Sole UK Distributor of Baridi

Kempson Way, Suffolk Business Park, Bury St Edmunds, Suffolk. IP32 7AR



01284 757575



support@dellonda.co.uk



www.dellonda.co.uk