



Dellonda 95cm Height-Adjustable Standing Desk



Model No. DH15.V2

Thank you for purchasing a Dellonda product. Manufactured to a high standard, this product will, if used according to these instructions, and properly maintained, give you years of trouble free performance.

Important Information

Please read these instructions carefully. Note the safe operational requirements, warnings & cautions. Use the product correctly and with care for the purpose for which it is intended. Failure to do so may cause damage and/or personal injury and will invalidate the warranty. Keep these instructions safe for future use.

Contents



A (x1)



B (x1)



C (x1)



D (x4)



E (x2)



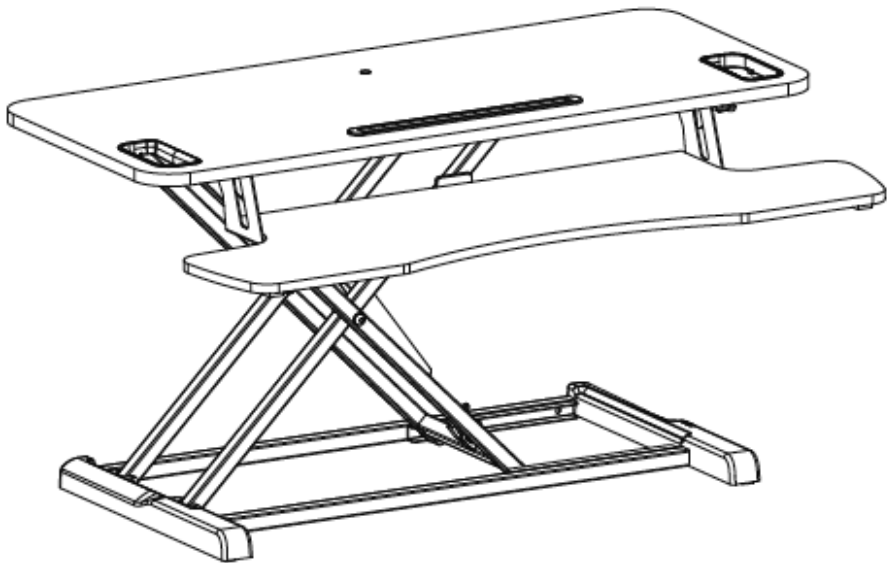
F (x3)



G (x4)
M5x10



H (x2)
ST4,2x12



About the Product

Height-adjustable desk riser creates the possibility of a sitting or standing working environment. Spacious 35" work surface enables you to keep all your essential office items in one space. Features sizeable keyboard tray which is easily removable when not in use. Desk riser is vertically adjustable ensuring you stay within the footprint of your desktop. Smooth, pneumatic lift functionality powered by a high quality gas strut. Converts any desk into a standing desk.

Safety Instructions

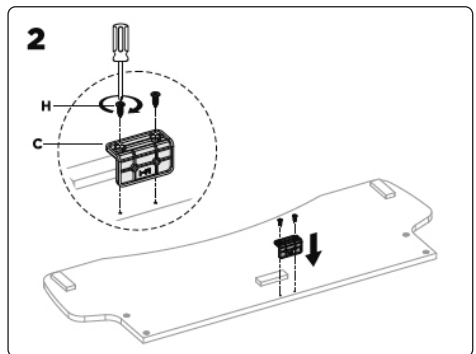
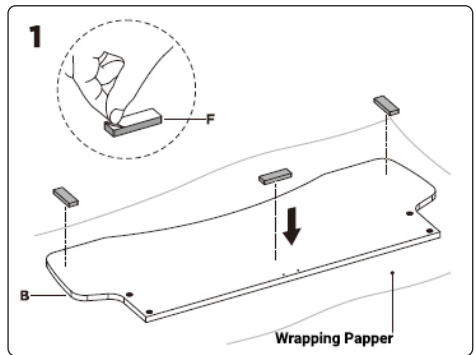
- **WARNING! DO NOT** put hands near the supporting bars, as they change during adjusting and may hurt you.
- Make sure that the mounting surface is strong enough to handle a mounted product and equipment.
- Make sure all installed equipments are on the table, and not sticking out of the edge, or it may harm or cause damage.
- Leave enough length of cable for height adjustment function, otherwise the cable may be accidentally unplugged.
- First adjust it to the highest, then remove equipment to avoid harm or damage.
- Move it by two persons, or parts may collide and cause damage.
- Place the product properly according to size of it, or it may harm or cause damage.
- Always use an assistant or a mechanical lifting device to safely lift and position heavy products.
- Tighten screws firmly, but do not over tighten. Over tightening can cause product damage that greatly reduces the holding power.
- This product contains small items that could be a choking hazard if swallowed. Keep children away unless the product is intended for their use and all instructions and manuals are fully reviewed and understood by them.
- This product is intended for indoor use only.
- Check that the product is secure and safe to use at regular intervals (at least every three months).
- **DO NOT EXCEED THE MAXIMUM LISTED WEIGHT CAPACITY.**

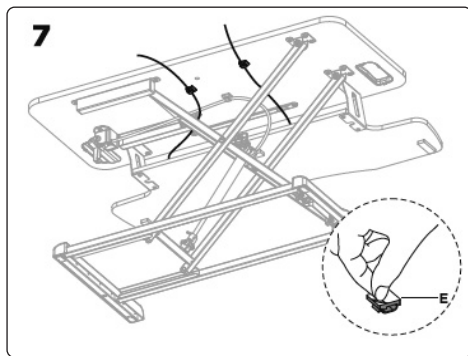
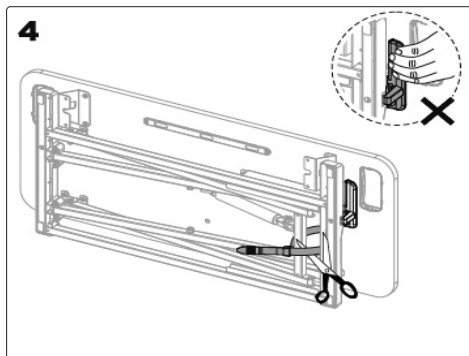
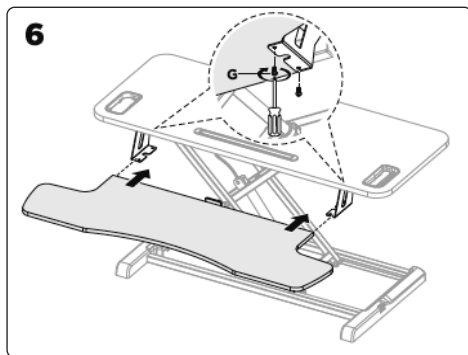
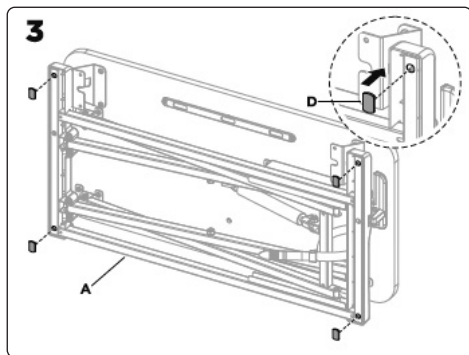
Positioning, Lighting, Usage & Care Information

- Ensure the desk riser is positioned on a permanent, flat, level, surface away from any tabletop edges.
- Ensure that the surface that you place the desk riser on is strong enough to support the desk riser and any equipment you are planning on using.

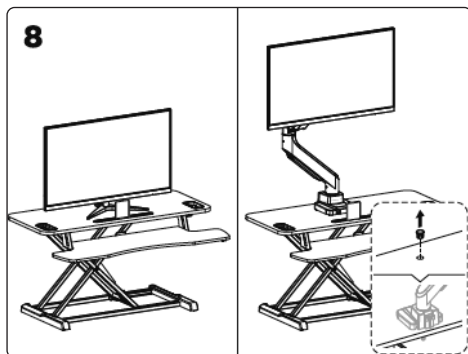
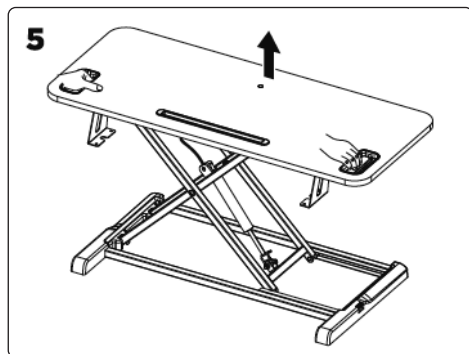
Assembly

- Remove the desk riser parts from the packaging.
- Check the contents are correct before you start assembling the desk riser.
- Follow assembly diagrams 1 - 8





WARNING! DO NOT press the release handle whilst cutting off the plastic back strip lock. Only press the handle in the upright position



Specification

Colour of Product:	Black
Height Range:	110-505mm
Keyboard Tray Size:	945 x 300mm
Load Capacity:	15kg Desktop / 2kg Keyboard
Nett Weight:	11.3kg
Product Depth (Front to Back):	61.5cm
Product Dimensions (W x D x H):	950 x 615 x 110/505mm
Product Height (Floor to Top):	50.5cm
Product Width (Side to Side):	95cm
Work Surface Size:	950 x 400mm



Recycle unwanted materials instead of disposing of them as waste. All tools, accessories and packaging should be sorted, taken to a recycling centre and disposed of in a manner which is compatible with the environment. When the product becomes completely unserviceable and requires disposal, drain any fluids (if applicable) into approved containers and dispose of the product and fluids according to local regulations.

Note: It is Dellonda's policy to continually improve products and we reserve the right to alter data, specifications and component parts without prior notice.

Important: No Liability is accepted for incorrect use of this product.

Warranty: Guarantee is 12 months from purchase date, proof of which will be required.

Dellonda Limited

Kempson Way, Suffolk Business Park, Bury St Edmunds, Suffolk. IP32 7AR



01284 757575



support@dellonda.co.uk



www.dellonda.co.uk