

baridi

Baridi 12-Inch Pedestal Fan with Remote Control, 3 Operational Modes and 3 speeds, 90° 3D Oscillation, Adjustable Height & Pivoting Fan Head, 12hr timer



Models: DH141

Thank you for purchasing a Dellonda product. Manufactured to a high standard, this product will, if used according to these instructions, and properly maintained, give you years of trouble free performance.

Important Information

Please read these instructions carefully. Note the safe operational requirements, warnings & cautions. Use the product correctly and with care for the purpose for which it is intended. Failure to do so may cause damage and/or personal injury and will invalidate the warranty. Keep these instructions safe for future use.



Refer to
instruction
manual



Indoor use
only



Warning
Electricity
shock hazard

SPECIFICATION

MODEL NO:	DH141
Colour of Product:	Grey
Electrical Class:	Class II
Fan Diameter:	Ø300mm
Fuse Rating:	3A
Height:	1100mm
Maximum Airflow:	7.0m/s
Nett Weight:	4.5kg
Noise Power/Pressure:	60dB(A)
Plug Type:	3-Pin BS
Power Supply Cable Length:	1.6m
Power:	70W
Product Depth (Front to Back):	290mm
Product Dimensions (W x D x H):	340 x 290 x 1100mm
Product Height (Floor to Top):	1100mm
Product Width (Side to Side):	340mm
Speeds:	3
Supply:	230v - 50Hz

SAFETY INSTRUCTIONS

- WARNING!** The warnings, cautions and instructions in this manual cannot cover all possible conditions and situations that may occur. It must be understood by the operator that common sense and caution are factors which cannot be built into this product, but must be applied by the operator.

This manual explains the proper use of your fan, please read it carefully before using even if you are familiar with the product. The manual should be kept in a safe place for future reference.

ELECTRICAL SAFETY

WARNING! It is the user's responsibility to check the following:

Check all electrical equipment and appliances to ensure that they are safe before using. Inspect power supply leads, plugs and all electrical connections for wear and damage. Dellonda recommend that an RCD (Residual Current Device) is used with all electrical products.

Electrical safety information: It is important that the following information is read and understood.

Ensure that the insulation on all cables and on the appliance is safe before connecting it to the power supply.

Regularly inspect power supply cables and plugs for wear or damage and check all connections to ensure that they are secure.

Important: Ensure that the voltage rating on the appliance suits the power supply to be used and that the plug is fitted with the correct fuse - see fuse rating in these instructions.

- * **DO NOT** pull or carry the appliance by the power cable.
- * **DO NOT** pull the plug from the socket by the cable.
- * **DO NOT** use worn or damaged cables, plugs or connectors.
- ✓ Ensure that any faulty item is repaired or replaced immediately by a qualified electrician.
- WARNING!** If the supply cord is damaged, it must be replaced by the manufacturer, its service agent or similarly qualified persons in order to avoid a hazard.
- ✓ Ensure that repairs are carried out by a qualified electrician.

GENERAL SAFETY

Read all safety warnings, instructions, illustrations and specifications provided with this product. Failure to follow all instructions listed below may result in electric shock, fire and/or serious injury.

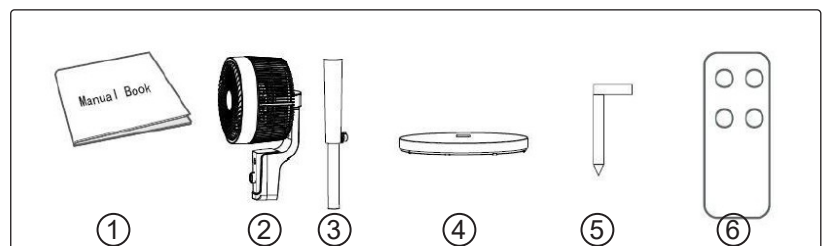
- WARNING!** Children from age 8 years and above, persons with reduced physical, sensory, or mental capabilities those with lack of

experience and knowledge can use the appliance, if they have been given supervision or instruction concerning use of the appliance in a safe way to understand the hazards involved.

- ❑ **WARNING!** Children shall NOT play with the appliance.
- ❑ **WARNING!** Cleaning and user maintenance on the appliance shall not be made by children without supervision.
- ❑ **WARNING!** The appliance shall be disconnected from its power source during service and when replacing parts.
WARNING! Check the voltage indicated on the rating plate. This product is designed for a 220-240V~/50Hz electric supply.
- ❑ **WARNING!** Periodically check the power cord of this fan.
- ❑ **WARNING!** Place the fan on a flat, firm, safety surface before use.
- ❑ **WARNING!** Disconnect the plug from socket when not in use.
- ❑ **WARNING!** Make sure that the fan will not touch any obstruction when oscillating.
- * **DO NOT** put your fingers or any other object into the front grill when the fan is operating. Please pay special attention when in use near children, children should not play with the fan at any time.
- * **DO NOT** let hair, net curtains, tablecloth, clothes or curtains near to the openings of the fan. They could be entangled into the fan, causing damaged or injuries.
- * **DO NOT** use the fan when the cord or plug damaged, fan blade has fallen or has any other damage.
- * **DO NOT** use this fan outside; it is for indoor use only.
- * **DO NOT** use this fan in a damp area such as bathroom.
- * **DO NOT** use this fan near a window and under direct sunshine.
- * **DO NOT** use this fan with any semi-conductors speed control.
- * **DO NOT** operate the fan in an area where gasoline is used or stocked, painting or such flammable liquids.
- * **DO NOT** try to disassemble this fan; there are not any parts that could eventually be repaired by the user. If you need maintenance, please call the Dellonda Service Centre.
- * **DO NOT** use extension cord.
- ❑ **WARNING!** Unplug the unit before serving or moving, including for cleaning purpose.
- ❑ **WARNING!** The fan should not be operated without a base nor used when if tipped over.
- ❑ **WARNING!** Unplug the unit before moving, including for cleaning.
- ❑ **WARNING!** Always unplug it when not in use.
- ❑ **WARNING!** Use this fan only as it is described in this manual.
- ❑ **WARNING!** Keep the fan clean and maintain in good condition (use an authorised service agent).

PARTS

1	Manual
2	Main Fan Head
3	Stand Column
4	Base
5	Screw Driver
6	Remote Control



ASSEMBLY

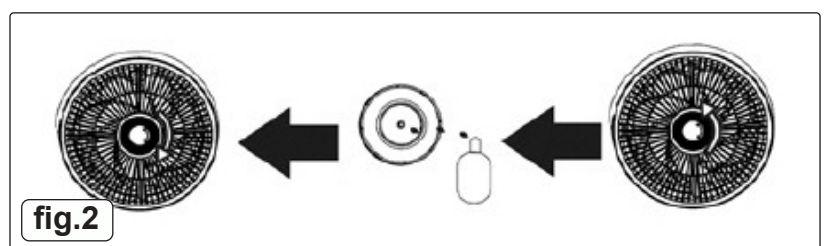
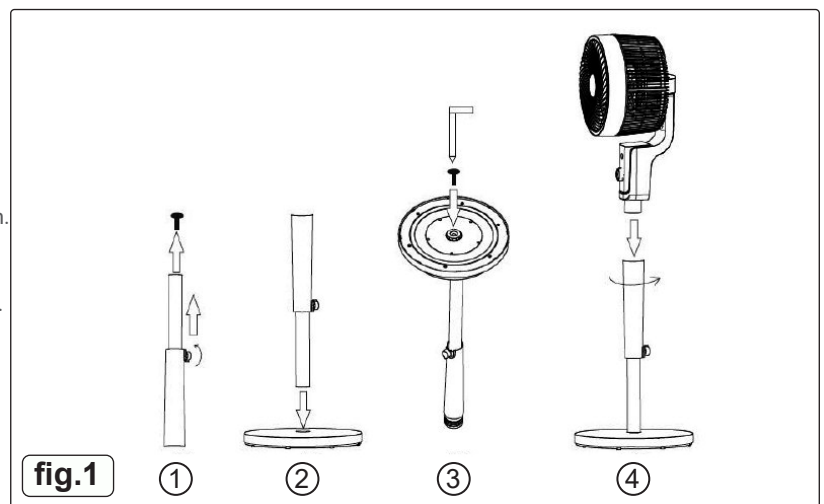
- Remove all the parts from the outer packaging.
- Remove the lock screw from the bottom of the column.
- Place the column into the hole on the base and fasten the lock screw.
- Install the main fan head onto the top of the column. See fig.1 for reference.

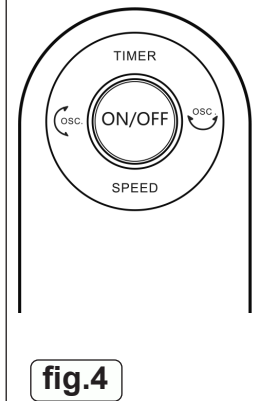
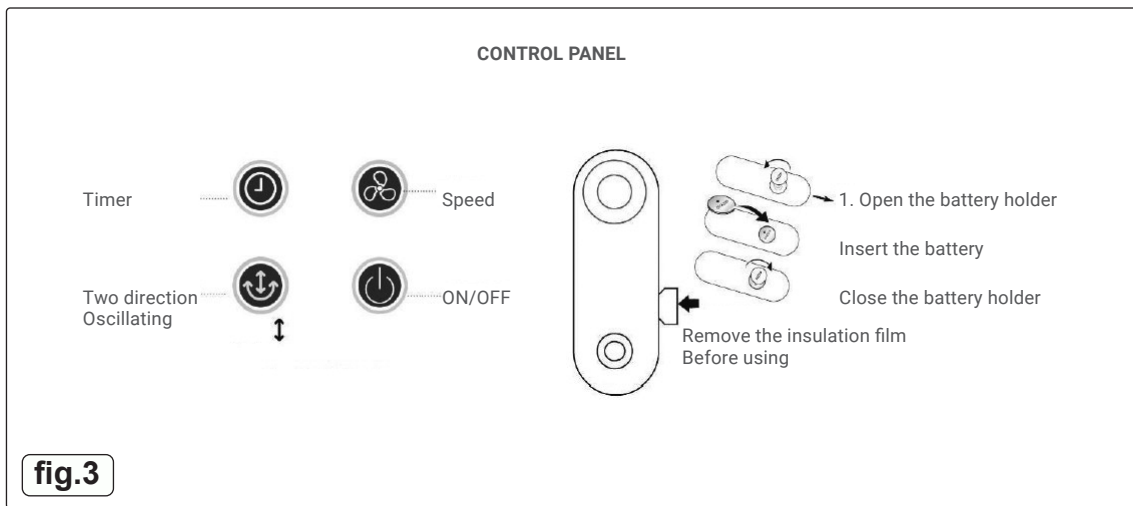
AROMA INSTALLATION

- Unscrew aroma holder from the front grill. See fig.2.
- Place drops of aroma oil on to the pad in the aroma cavity of the aroma holder.
- Replace aroma holder by screwing back into front grill.

CONTROL PANEL

- **ON/OFF:** The fan beeps and turns on when touch this button, all buttons flash once and set into stand-by mode.
- **OSCILLATION:** A quick touch to turn on or turn off the left-right swing, hold on for 3 sec. to turn on or turn off the up-down swing.
- **SPEED:** The default speed is 'F1' when turn on the fan, and speed increase 1 level by one touch until 3, and back to speed 1 by one more touch.
- **TIMER:** The timer increased 1 hour by one touch until 12 hours, displays from '0H', '1H'... to '12' in a cycle.
- **DISPLAY SCREEN:** The screen displays the fan speed and timer. It displays '—' when turn the fan on. The screen turns off without operation for 3 minutes, and awakens by touch on any button.





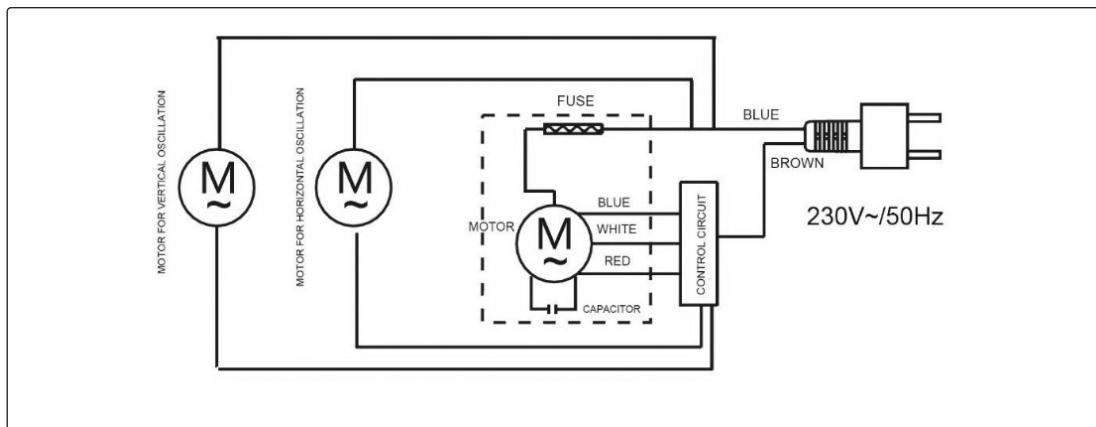
REMOTE CONTROL Fig.4

- The timer set for one hour if you press the timer key one time, and the display panel displays '1 H' and flashes for 3 times, and the timer is set if no further operation.
- The timer increases one hour per press until it reaches the maximum which is 12 hours and displays '12', and additional press will turn the timer to zero which displays '0H'.
- The timer is settable from 0h to 12h in cycle. If you want to cancel the timer, just need to make it '0H'.

MAINTENANCE

- ❑ **WARNING!** Cut off power supply and remove the plug from the socket before cleaning the fan, or this may result in an electric shock, or cause damage to the fan.
- ✓ If there is too much dust, or dirt on the back cover of the fan, it will affect the performance of air-flow, so we suggest to clean the fan once a month at least.

ELECTRICAL DIAGRAM



CLEANING

- The exterior of the fan may be cleaned with a damp cloth. **DO NOT** use abrasive cloths or creams, as this will spoil the finish of the fan. **DO NOT** use a water jet or spray.
- * **DO NOT** immerse the appliance or accessories (cable) in water or other liquids. Keep the appliance away from direct sunlight, rain and moisture.

SAFETY-CHECK AFTER MAINTENANCE

- Is the power cord broken or damaged?
- Is the power plug firmly inserted into the socket?
- Is the power plug abnormally overheated.

NOTE: Electric shock and fire accident may be caused in case the power cord and plug is damaged or stained by dust. If any abnormality, please unplug the power plug and get in contact with the vendor.

DECOMMISSIONING/ LIFE TIME OF THE PRODUCT/ DISPOSAL

- ✓ Through years of normal wear, the fan will eventually become unserviceable. When this happens ensure that it is disposed of in accordance with local authority regulations.

STORAGE

- ✓ Store in a dry safe place out of the reach of children.

Environment Protection and Waste Protection and Electrical Equipment Regulations (WEEE)

Recycle unwanted packaging materials. When this product is no longer required, or has reached the end of its useful life, please dispose of it in an environmentally friendly way. Drain any fluids (if applicable) into approved containers, in accordance with local waste regulations. Under the Waste Batteries and Accumulators Regulations 2009, Dellonda would like to inform the user that this product contains one or more batteries. It is our policy to continually improve products and we reserve the right to alter data, specifications and parts without prior notice. No liability is accepted for incorrect use of this product. Guarantee is 12 months from purchase date, proof of which is required for any claim.

Dellonda Limited, Sole UK Distributor of Baridi

Kempson Way, Suffolk Business Park, Bury St Edmunds, Suffolk. IP32 7AR



01284 757575



support@dellonda.co.uk



www.dellonda.co.uk