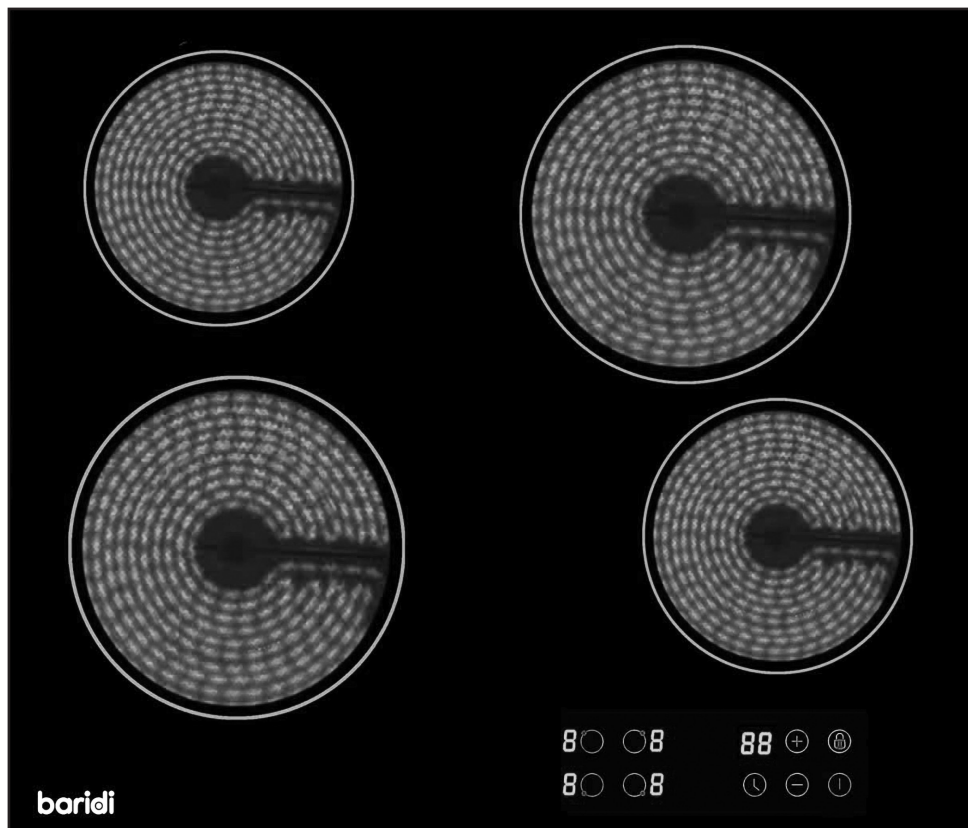




60cm Built In Ceramic Hob 4 Cooking Zones Black Glass



Model No. DH131

Thank you for purchasing a Dellonda product. Manufactured to a high standard, this product will, if used according to these instructions, and properly maintained, give you years of trouble free performance.

Important Information

Please read these instructions carefully. Note the safe operational requirements, warnings & cautions. Use the product correctly and with care for the purpose for which it is intended. Failure to do so may cause damage and/or personal injury and will invalidate the warranty. Keep these instructions safe for future use.



Refer to
instruction
manual



Warning:
Hot
Surface



Warning:
Can cause
Fire



Indoor use
Only



Warning:
Electricity

SPECIFICATION

Installation: Built In
Number of Hobs: 4
Power: 6000W (2 x 1.8kW Zones, 2 x 1.2 kW Zones)
Product dimensions (W x D x H): 580 x 510 x 50mm
QC - Electrical Class: Class 1
Type: Ceramic

SAFETY INSTRUCTIONS

• ELECTRICAL SAFETY

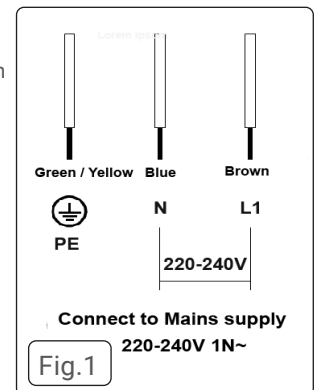
- Dellonda recommend that installation and repairs are carried out by a suitably qualified electrician.
- **WARNING!** It is the user's responsibility to check the following:
- Check all electrical equipment and appliances to ensure that they are safe before using. Inspect power supply leads, plugs and all electrical connections for wear and damage. If the product is used in the course of business duties, it must be maintained in a safe condition and routinely PAT (Portable Appliance Test) tested.
- **ELECTRICAL SAFETY INFORMATION:** It is important that the following information is read and understood.
- **IMPORTANT:** The appliance must **NOT** be connected to the mains supply by means of a 13A plug and socket.
- This appliance must be wired into a 30A double pole switched fused spur outlet, having 3 mm contact separation and placed in an easily accessible position adjacent to the appliance. It should not be located above the appliance and no more than 1.25m away from it.
- The "blue" neutral wire must be connected to the terminal marked with letter (N) - the live wire (L1) must be connected to the terminal marked with letter (L1) (220-240V 1N~). see Fig.1.
- Ensure that the insulation on all cables and on the appliance is safe before connecting it to the power supply.
- Regularly inspect power supply cables and plugs for wear or damage and check all connections to ensure that they are secure.
- The cable can be looped if necessary, but make sure that is not kinked or trapped when the hob is in position. Care must be taken to avoid the cable being in contact with hot parts of the appliance.
- **IMPORTANT:** Ensure that the voltage rating on the appliance suits the power supply to be used and that the unit is wired in accordance with these instructions.
- **DO NOT** pull the appliance by the power cable.
- **DO NOT** use worn or damaged cables .
- Ensure that any faulty item is repaired or replaced immediately by a suitably qualified electrician.

• GENERAL SAFETY

- The appliance and its accessible parts become hot during use. Care should be taken to avoid touching heating elements.
- This appliance can be used by children aged from 8 years and above and persons with reduced physical, sensory or mental capabilities or lack of experience and knowledge or they have been given supervision or instruction concerning use of the appliance in a safe way and understand the hazards involved. Children shall not play with the appliance. Cleaning and user maintenance shall not be made by children without supervision.
- A steam cleaner is not to be used.
- Accessible parts may become hot during use. Young children should be kept well away when in use.
- **DO NOT** use abrasive products to clean the ceramic surface to avoid scratching it. Otherwise, severe failure might happen to the appliance.

• OPERATIONAL SAFETY

- **DO NOT** allow paper or cloth to come in contact with any heating element.
- It is specifically designed for use when heating or cooking food. The use of corrosive chemicals in heating or cleaning will damage the appliance and could result in injury
- If food being prepared should ignite, switch off the hob and disconnect from supply power.
- Only use utensils that are suitable for use with ceramic hobs.
- **WARNING! DANGER OF EXPLOSION!** Liquids and other foods must not be heated in sealed containers since they are liable to explode.
- **DO NOT** allow any accessories or electric cables to contact the hot parts of the appliance.
- **HOT SURFACES! RISK OF BURNS!** During use the appliance becomes hot.
- **WARNING!** Accessible parts may become hot during use. Young children should be kept away.
- Never move racks or pans when they are hot. Wait until they cool.
- **IMPORTANT!** Always switch off the electricity supply at the mains during installation and maintenance.
- Do not use the ceramic hob until you have read this instruction manual.
- The ceramic hob is intended for household use only.
- Ensure that small items of household equipment, including connection leads, do not touch the hob as the insulation material of this equipment is usually not resistant to high temperatures.
- **DO NOT** leave the ceramic hob unattended when frying. Oils and fats may catch fire due to overheating or boiling over.



- **DO NOT** switch on the hob until a pan has been placed on it.
- **DO NOT** put pans weighing over 25kg on the hob.
- **DO NOT** use the ceramic hob in the event of a technical fault. Any faults must be fixed by an appropriately qualified and authorized person. In the event of any incident caused by a technical fault, disconnect the power and report the fault to the service centre to be repaired.

• GENERAL INFORMATION

- This appliance is designed for domestic household use and must be built into a standard kitchen cabinet or housing unit.
- The appliance surfaces will become hot during use and retain heat after operation.
- Please dispose of the packaging material carefully. Packaging material can be dangerous to children.
- **DO NOT** allow cable to come into contact with the heating areas of appliance.
- **DO NOT** install the appliance next to curtains or soft furnishings.
- The appliance must be placed in such a way that the power supply is accessible at all times.
- Before connecting the appliance to the power supply, check that the power supply voltage and current rating corresponds with the power supply details shown on the appliance rating label.
- Never use a damaged appliance! Disconnect the appliance from the power source and contact your supplier if it is damaged.
- Danger of electric shock! Do not attempt to repair the appliance yourself. In case of malfunction, repairs are to be conducted by suitably qualified personnel only.
- To avoid damaging the cord, do not squeeze, bend or chafe it on sharp edges. Keep it away from hot surfaces and open flames as well.
- Lay out the cord in such a way that no unintentional pulling or tripping over it is possible.
- **DO NOT** open the appliance casing under any circumstances. Do not insert any foreign objects into the inside of the casing.
- Always operate the appliance on a level, stable, clean and dry surface. Protect the appliance against heat, dust, direct sunlight, moisture, dripping and splashing water.

• CLEANING

- Always disconnect the power supply prior to cleaning the appliance. If the switched fused connection unit is difficult to reach, shut off the power supply by using the corresponding circuit breaker at the distribution board.
- Clean the appliance thoroughly before first use. The hob should be cleaned regularly and any food deposits removed.
- Never clean the hob surfaces by steam cleaning.
- The ceramic surface should only be cleaned with warm soapy water, using either a sponge or soft cloth. No abrasive cleaners should be used.
- Any stains that may appear on the ceramic surface will have originated from food splashes or spilt food, these splashes occur during the cooking process. These could possibly be a result of the food being cooked at an excessively high temperature or being placed in cookware that is too small.

• INSTALLATION

• ELECTRICAL CONNECTION

- Review and understand Safety Section 1 before installing this unit.
- Dellonda strongly recommend this work to be conducted by suitably qualified personnel only.
- Before connecting the appliance, make sure that the supply voltage marked on the Rating Plate corresponds with your mains supply voltage.
- **WARNING: THIS APPLIANCE MUST BE EARTHED.**
- **IMPORTANT:** The appliance must **NOT** be connected to the mains supply by means of a 13A plug and socket.
- This appliance must be wired into a 30A double pole switched fused spur outlet, having 3 mm contact separation and placed in an easily accessible position adjacent to the appliance. It should not be located above the appliance and no more than 1.25m away from it. See Fig.1.
- The "blue" neutral wire must be connected to the terminal marked with letter (N) - the live wire(L1) must be connected to the terminal marked with letter (L1) (220-240V 1N~). see Fig.1.
- The mains cable must not touch any hot metal.
- Care must be taken to ensure that the temperature of the mains supply cable does not exceed 50°C.
- If the mains supply cable is damaged, then it must be replaced by an appropriate replacement.

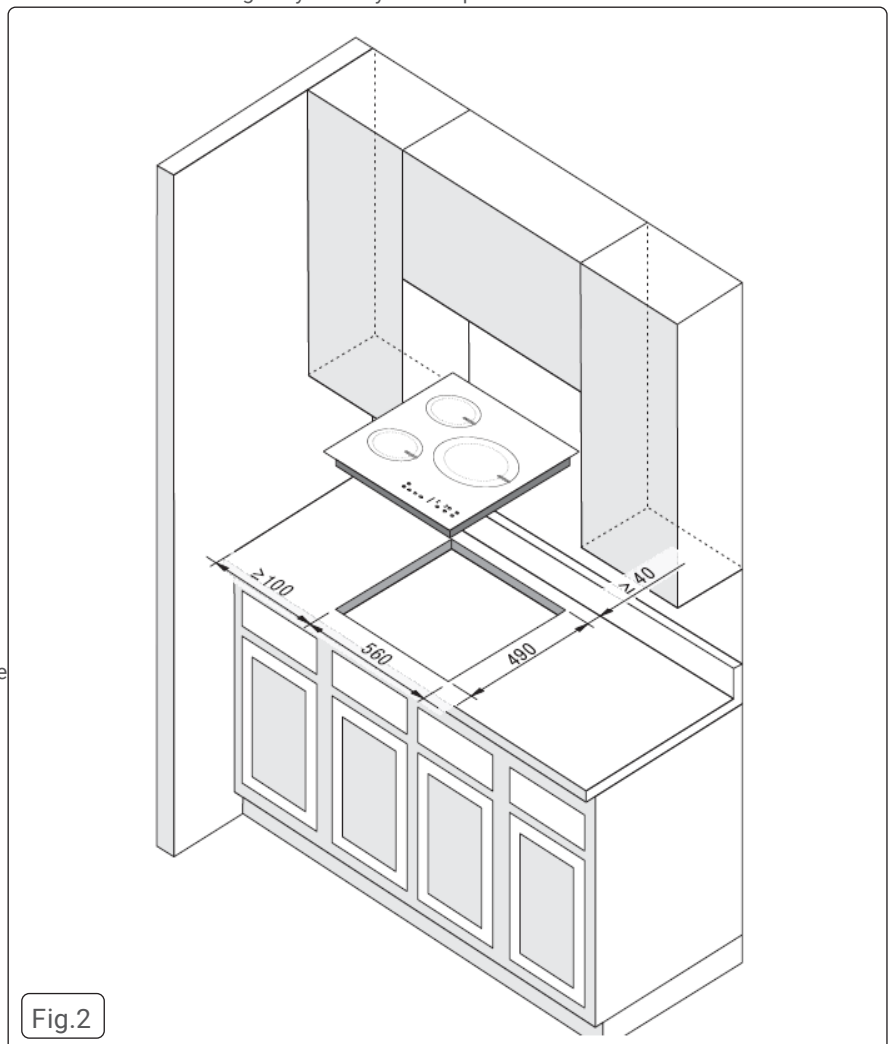


Fig.2

• INSTALLING THE HOB INTO THE KITCHEN WORK SURFACE

- The kitchen area should be dry and aired and equipped with efficient ventilation. When installing the hob, easy access to all control elements should be ensured.
- **POSITIONING THE APPLIANCE SEE FIG.2**
- The kitchen units that are in direct contact with the appliances must be heat-proof(min. 95°).
- The appliance can be installed on a work surface with a distance of between 30 and 40 mm and near to walls which are higher than the work surface, maintaining a minimum distance of 100 mm (see fig.2).
- Carry out all cutting of the unit and work surface then carefully remove shavings or sawdust before inserting the appliances.
- To ensure a correct ventilation of the hob please comply with the dimensions shown in fig.3.
- Minimum ventilation clearance requirements are 70cm above the hob, 5cm below the underside and 2cm from the rear (fig.3).
- Make sure the surface is level and square and that no part interferes with the space required for installation.
- Prepare the cut as indicated (see installation dimensions fig.2, fig.3).

- Hob requires a rectangular hole of 560mm wide by 490 mm deep.
- Refer to fig.2 for location
- Apply the seal strip (supplied) to the underside edge of the hob, and leave approx. 3mm from the edge of the glass. **DO NOT** use silicone.
- Cut any excess and bring the two ends of the seal together so they match.
- Fix the brackets (4 pcs) on the front side and rear side by screw. Put the hob in the cut-out cabinet, and center it. Ensure that the front edge of the hob is parallel to the side edge of the work surface.
- **IMPORTANT:** You must observe the ventilation requirements shown in fig.3.
- **IMPORTANT:** There are ventilation spaces around the outside of the hob. **YOU MUST** ensure that these spaces are not blocked by the work top, when you put the hob into position (see fig.3).
- **IMPORTANT:** Do not use a silicon sealant to seal the appliance against the aperture. This will make it difficult to remove the hob from the aperture in future, particularly if it needs to be serviced.

• OPERATION

• CONTROL PANEL

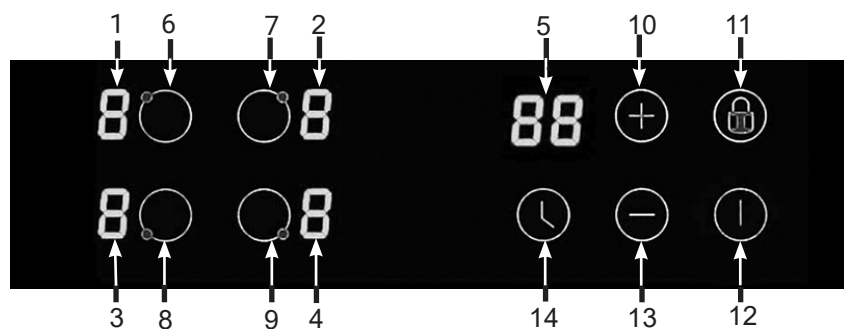
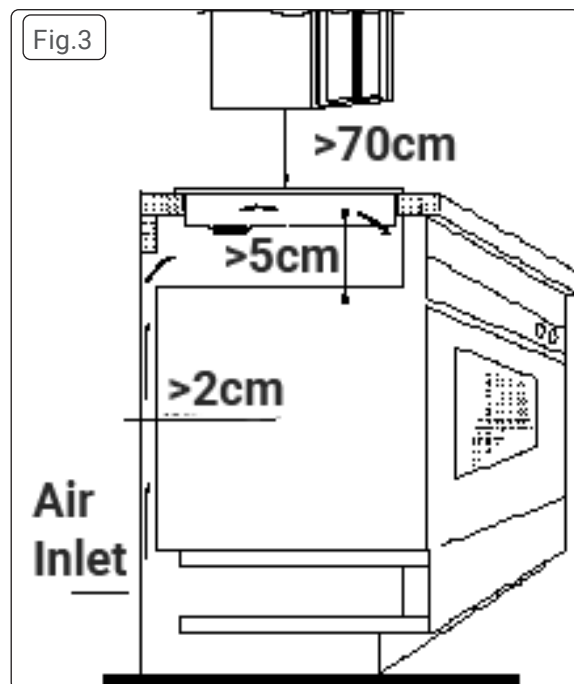
WARNING! IF A HEATING ZONE IS HOT, IT IS LABELLED H. DO NOT TOUCH THE SURFACE.

• POWER ON / OFF

- To turn the unit **ON** press the **ON/OFF** button (fig.1.12).
- The unit will go into standby status after 2 seconds.
- When in standby press the **ON/OFF** button and select the heating required.

• CHILD LOCK

- To engage the Child Lock, press the lock button (fig.1.11).
- When in lock mode the **LED** will display \square . To disengage the lock, press the button again.



Item	Function
1	Heating Zone 1 Indicator
2	Heating Zone 2 Indicator
3	Heating Zone 3 Indicator
4	Heating Zone 4 Indicator
5	LED Indicator Screen
6	Heating Zone 1
7	Heating Zone 2
8	Heating Zone 3
9	Heating Zone 4
10	Increase Button
11	Child Lock Button
12	On/Off Button
13	Decrease Button
14	Timer Button

• HEATING ELEMENT SETTING

- In standby mode, press the required Heating Zone select button (fig.1.6, 1.7, 1.8, 1.9).
- To adjust the zone heating level, select Increase or decrease button (fig.1.12, fig.1.13).
- Cycle through the 9 possible settings to suit.
- If '0' level is selected, the relevant zone will switch off.
- If zone is left set for more than 30 seconds, it cannot be reset without re-selecting the relevant Heating Zone button again.

• AUTO-HEATING ADJUSTMENT FUNCTION

- Select Heating Zone and set heating to 9. Press the Increase button (fig.1.10) once more and the display will show A and 9 intermittently.
- Press the Decrease button (fig.1.13) to set auto-heating level required. The operating time is determined by the heating level selected. See table below.

Heating Level	1	2	3	4	5	6	7	8	9
Time Mins.	1	3	4.8	6.5	8.5	2.5	3.5	4.5	5

• TIMER ADJUSTMENT

- After selecting and setting Heating Zone press the Timer button (fig.1.14) and set time using Increase / Decrease buttons.
- After timer reaches zero (0) a buzzer will sound for 2 minutes.

• CLEANING

- Always disconnect the power supply prior to cleaning the appliance. If the switched fused connection unit is difficult to reach, shut off the power supply by using the corresponding circuit breaker at the distribution board.
- Clean the appliance thoroughly before first use. The hob should be cleaned regularly and any food deposits removed.
- Never clean the hob surfaces by steam cleaning.
- The hob ceramic should only be cleaned with warm soapy water, using either a sponge or soft cloth. No abrasive cleaners should be used.
- Any stains that may appear on the hob will have originated from food splashes or spilt food, these splashes occur during the cooking process. These could possibly be a result of the food being cooked at an excessively high temperature or being placed in cookware that is too small.
- You should select a cooking temperature and function that is appropriate for the food that you are cooking. You should also ensure that the food is placed in an adequately sized dish and that you use the drip tray where appropriate.

• **FAULT CODES**


ERROR CODE	TYPE OF FAULT	SOLUTION
E1	The display board does not receive the signal of power supply board.	The communication line failure of power supply board or display board can cause communication anomalies.
E2	The power supply board does not receive the signal of display board.	Replace the display board first. If the fault persists, replace the power supply board.
E3	Power supply board relay failure	Replace the power supply board
E4	1.Open circuit of the display board NTC. 2.short circuit of the display board NTC.	Replace the display board
E5	High temperature protection on the display board NTC.	Replace the Insulated silicone strip of circuit panel first. If the fault persists, replace the display board .

Environment Protection and Waste Protection and Electrical Equipment Regulations (WEEE)

Recycle unwanted packaging materials. When this product is no longer required, or has reached the end of its useful life, please dispose of it in an environmentally friendly way. Drain any fluids (if applicable) into approved containers, in accordance with local waste regulations. Under the Waste Batteries and Accumulators Regulations 2009, Dellonda would like to inform the user that this product contains one or more batteries. It is our policy to continually improve products and we reserve the right to alter data, specifications and parts without prior notice. No liability is accepted for incorrect use of this product. Guarantee is 12 months from purchase date, proof of which is required for any claim.

Dellonda Limited

Kempson Way, Suffolk Business Park, Bury St Edmunds, Suffolk. IP32 7AR

 01284 757575
  support@dellonda.co.uk
  www.dellonda.co.uk