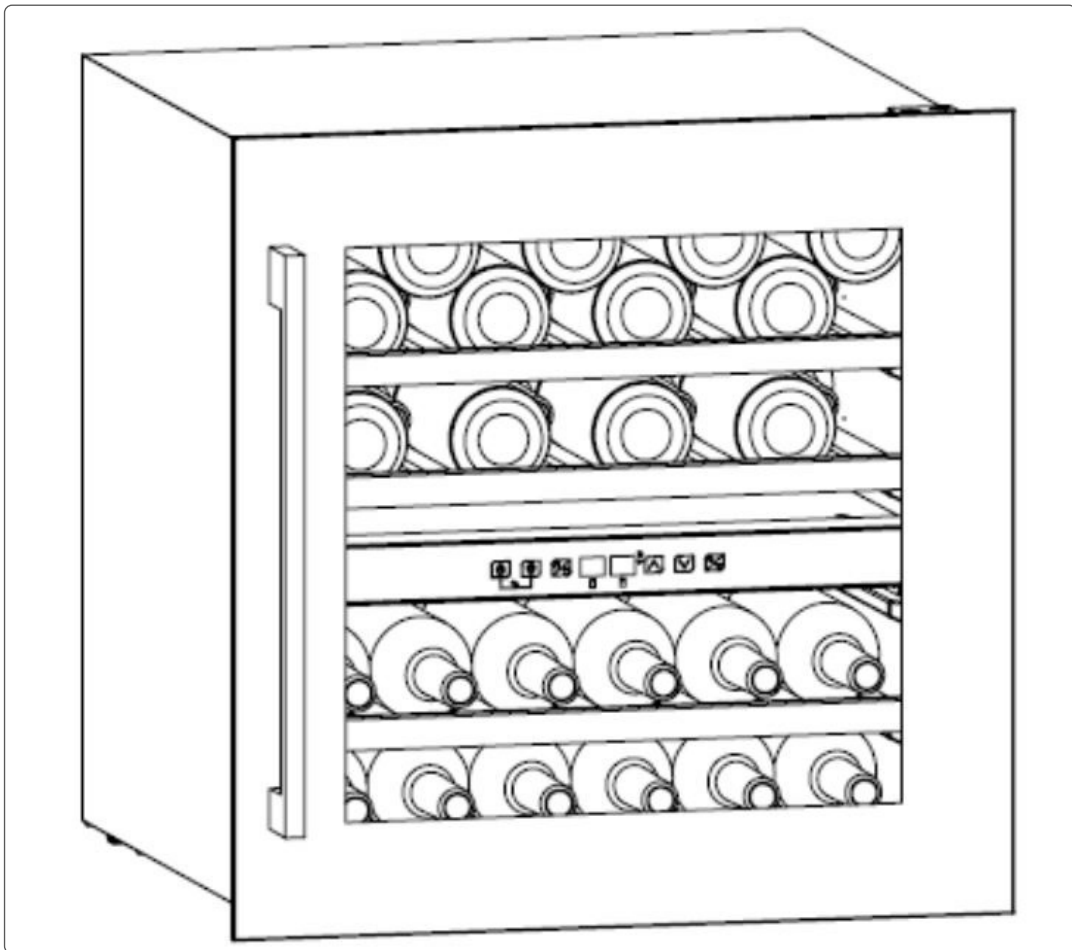




BARIDI 36 BOTTLE WINE FRIDGE & COOLER 60CM



Model No: DH117

Thank you for purchasing a Dellonda product. Manufactured to a high standard, this product will, if used according to these instructions, and properly maintained, give you years of trouble free performance.

Important Information

Please read these instructions carefully. Note the safe operational requirements, warnings & cautions. Use the product correctly and with care for the purpose for which it is intended. Failure to do so may cause damage and/or personal injury and will invalidate the warranty. Keep these instructions safe for future use.



Refer to
instruction
manual



Indoor use
only



WARNING!
Risk of fire

SPECIFICATION

Model No:	DH117	Nett Weight:	32.3kg
Capacity:	36 Bottle	Noise Level:	39dB
Climate Class:	SN/N/ST	Plug Type:	3-Pin BS
Colour of Product:	Black	Power Cable Length:	1.5m
Electrical Class:	Class I	Product Dimensions (W x D x H):	590 x 565 x 595mm
Energy Efficiency Class:	G	Rated current:	0.8A
Frequency:	50Hz	Refrigerant:	R600a (25g)
Internal Dimensions (W x D x H):	470 x 426 x 503mm	Temperature Range:	5-22°C
IP Rating:	IPX0	Voltage:	220-240V
Maximum Bottle Height:	330mm	Volume:	85L

INTRODUCTION

Fits into a standard cabinet space to allow you to seamlessly make the most out of your kitchen. Dual zone design means you can control the temperature of each zone individually, with the upper zone and the lower zone ranging from 5-22°C. Compressor cooling technology with an automatic defrost feature to make this unit as easy as possible to use. At a low 39dB this fridge is designed to be seamlessly integrated into your kitchen cabinets allowing you to chill up to 36 bottles of wine to the perfect temperature. Features stylish stainless steel handle, beech wood shelves and an internal LED light.

SAFETY

READ THESE INSTRUCTIONS BEFORE ATTEMPTING TO INSTALL OR USE THE APPLIANCE.

- ✓ Children from age 8 years and above, persons with reduced physical, sensory, or mental capabilities those with lack of experience and knowledge can use the appliance, if they have been given supervision or instruction concerning use of the appliance in a safe way to understand the hazards involved.
- ✗ Children shall **NOT** play with the appliance.
- ✗ Cleaning and user maintenance on the appliance shall **NOT** be made by children without supervision.
- ✓ The appliance shall be disconnected from its power source during service and when replacing parts.
- ✓ This appliance is intended to be used exclusively for the storage of wine.
- ✓ This refrigeration appliance is intended to be used at ambient temperature ranging from 10°C to 38°C.
- ✗ **DO NOT** damage the power cord. If the supply cord is damaged, it must be replaced by the manufacturer, its service agent or similarly qualified persons in order to avoid a hazard.
- ✗ **DO NOT** store explosive substances such as aerosol cans with a flammable propellant in this appliance.
- ✓ Children aged from 3 to 8 years are allowed to load and unload refrigerating appliances.
- ✓ This appliance is intended to be used in household and similar applications such as: staff kitchen areas in shops; offices and other working environments; farm houses and by clients in hotels, motels and other residential type environments; bed and breakfast type environments; catering and similar non-retail applications.

TO AVOID CONTAMINATION OF FOOD, PLEASE RESPECT THE FOLLOWING INSTRUCTIONS:

Opening the door for long periods can cause a significant increase of the temperature in the compartments of the appliance. If the refrigerating appliance is left empty for long periods, switch off, defrost, clean, dry, and leave the door open to prevent mould developing within the appliance.

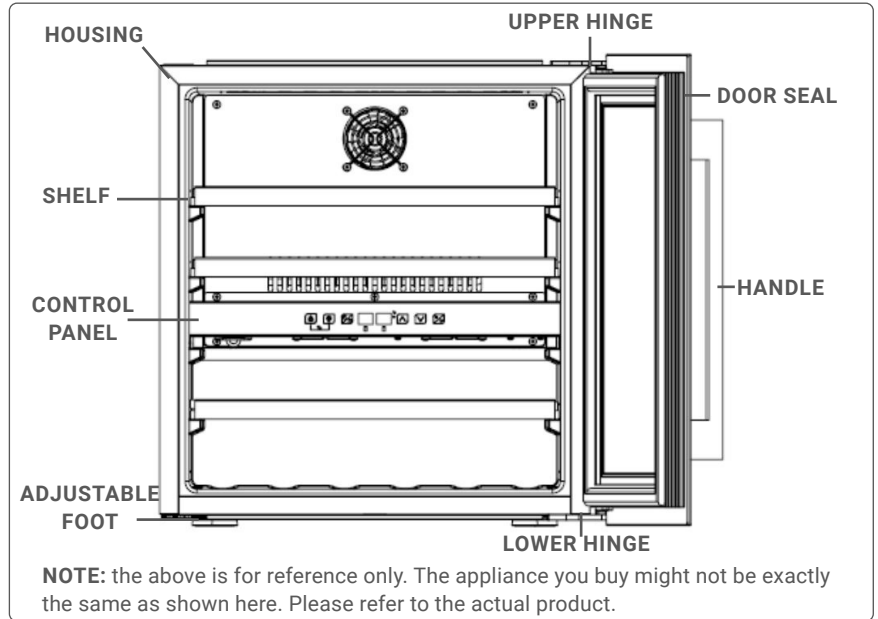
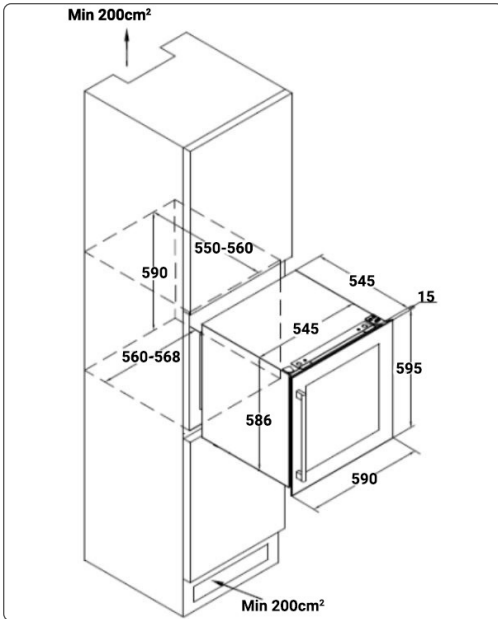
- WARNING!** To avoid a hazard due to instability of the appliance, it must be fixed in accordance with the instructions.
- WARNING!** When positioning the appliance, ensure the supply cord is not trapped or damaged.
- WARNING! DO NOT** locate multiple portable socket-outlets or portable power supplies at the rear of the appliance.
- ✗ **DO NOT** expose the appliance to rain.
- WARNING! DO NOT** modify the appliance.
- WARNING!** Keep ventilation openings, in the appliance enclosure or in the built-in structure, clear of obstruction.
- WARNING! DO NOT** use mechanical devices or other means to accelerate the defrosting process, other than those recommended by the manufacturer.
- WARNING! DO NOT** damage the refrigerant circuit.
- WARNING! DO NOT** use electrical appliances inside the food storage compartments of the appliance, unless they are of the type recommended by the manufacturer.

- ✓ Ensure the appliance is connected to a power supply in accordance with the rating label.
- ✓ Use an independent grounded socket with 10A or higher.
- ✗ **DO NOT** connect to transformer or socket with multiple outlets.
- ✓ Ensure the socket is grounded properly and do not modify power cord & plug.
- ✓ Ensure the power plug is fully in the socket.
- ✓ Ensure the appliance can easily be disconnected from the supply when in the installed position, unless the appliance incorporates a switch.
- ✗ **DO NOT** store or burn gasoline or other flammables near the appliance in case of possible fire.
- ✗ **DO NOT** store flammables, explosives, acid & alkaline liquids etc. in the compartment of the appliance.
- ✗ **DO NOT** operate other appliances in the compartment.
- ✗ **DO NOT** touch the inside of the compartment with wet hands.

INSTALLATION

POSITION

- ✗ **DO NOT** lean the appliance over 45° when moving it into position.
- ✓ The appliance must be installed indoors on a flat, firm and dry floor, away from direct sunlight.
- ✓ Allow the appliance to cool for at least an hour before storing wine bottles.



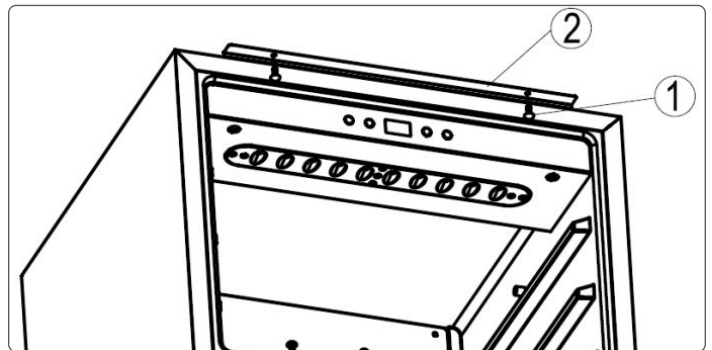
1 - INSTALL THE HANDLE

Reveal the two small holes on the door frame from the inner side by pulling out some of the door seal. Use two screws to secure the handle.

2 - BRACKET INSTALLATION

The appliance is equipped with a pair of brackets at the top (2) and at the bottom. This pair of brackets might not be needed and can be removed as per your actual installation situation.

If the opening size of your cabinet is bigger than the appliance, you could fix 4 screws (1) (ST4.0*13) (packed separately in a plastic bag) into the inner wood plate of the cabinet.

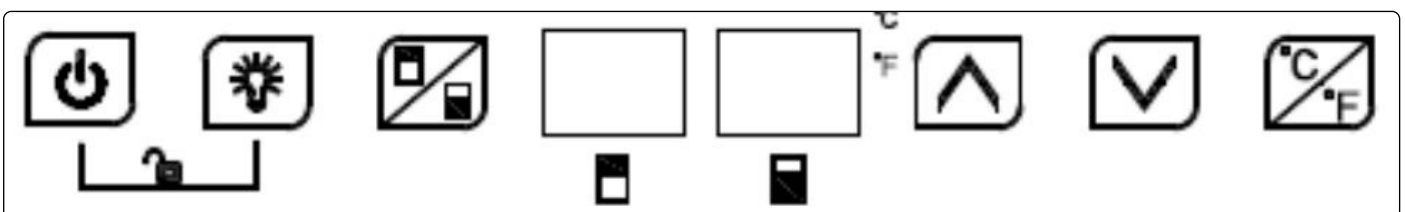


OPERATION

BEFORE USE

- ✓ Clean the inside of the appliance.
- ✓ Check the drainage pipe is in good condition.
- ✓ Level the appliance on a firm and dry surface for at least 30 minutes.
- ✓ Allow at least 1 hour for the appliance to cool down inside.

CONTROL PANEL



Note: keys will not function when in lock mode.

**ON/OFF**

Hold for 3 seconds to turn on/off.

**LIGHT**

Press to turn on/off the LED lights inside. In stand-by mode, the key is invalid.

**ZONE SWITCH**

Press the key to switch between upper zone and lower zone for choosing which zone to set temperature. Press the key once, the LED will display in the chosen zone. Press up and down key to set temperature. Press again to set temperature.

**UP**

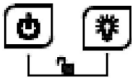
Press the key once, LED Display in regular flash showing current set temperature. Continue pressing to adjust set temperature, one press increases the temperature by 1°C. Leave for 5 seconds and the new set temperature will be set.

**DOWN**

Press the key once, LED Display in regular flash showing current set temperature. Continue pressing to adjust set temperature, one press increases the temperature by 1°C. Leave for 5 seconds and the new set temperature will be set.

**SWITCH BETWEEN FAHRENHEIT/CELSIUS**

Switch temperature display between Fahrenheit and Celsius by pressing for 2 seconds.

**CHILD LOCK**

To lock/unlock, press both keys at the same time for 3 seconds.

TEMPERATURE

The default temperature is set to 12°C. This can be adjusted according to the wine being stored.

Note: both upper and lower zone can be set between 5-22°C. The lower zone can only be set equal to or higher than that of the upper zone.

ALARM

An alarm will sound if the appliance malfunctions. Press any key to cancel the alarm sound.

ERROR CODES

Upper Zone Sensor Failure - E1 (open circuit), E2 (short circuit)

Defrost Sensor Failure - E3 (open circuit), E4 (short circuit)

Lower Zone Sensor Failure - E5 (open circuit), E6 (short circuit)

WINE STORAGE

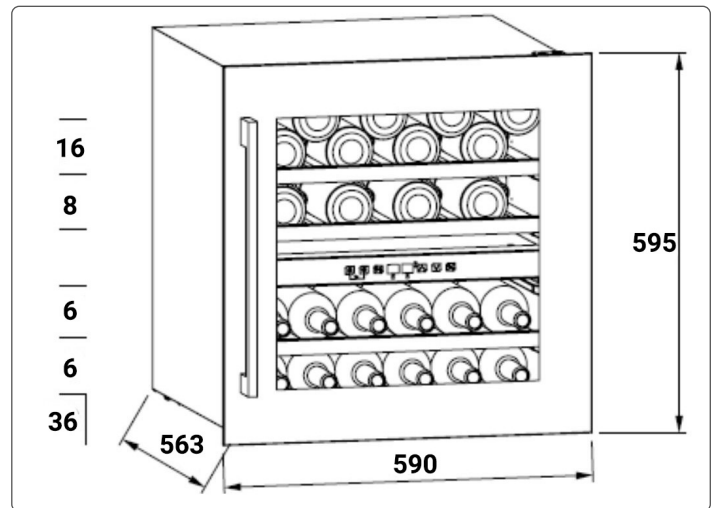
This appliance is intended to be used exclusively for the storage of wine. The loading capacity will vary depending on size of bottles and their arrangement. Each shelf is designed for 1-2 layers of wine bottles. **Note:** more than 2 layers of bottle arrangement on one shelf is not recommended.

Avoid placing too many bottles in front of the fan if possible as this can block the air inlet and affect cooling efficiency.

If the wine cooler has been empty for an extended period, it is recommended to turn off, clean and leave open for ventilation.

RECOMMENDED TEMPERATURE FOR WINE STORAGE

Red wine 15-18°C	Rose wine 10-11°C
White wine 9-14°C	Champagne & sparkling wine 5-8°C

**TROUBLESHOOTING**

PROBLEM	POSSIBLE SOLUTION
Appliance makes lots of noise.	Adjust the front foot to level the appliance. Ensure there is space around the appliance.
Liquid flowing sound inside the cabinet.	This is normal because of the refrigerant inside the appliance.
Appliance does not start.	Ensure the appliance is connected to the power supply correctly. Make sure the power supply switch is on. Note: the compressor re-starts after 5 minutes for a power cut.
Compressor runs continuously.	If no cooling occurs, call an authorised service centre.
Door does not seal tightly.	After extended use, the door seal might get stiff and partially distort. Use a warm, dry towel to soften the seal and close the door.

The appliance does not cool sufficiently.	Adjust the temperature setting. Keep the appliance away from sunlight or heat. Avoid opening the door frequently.
Unpleasant smells inside cabinet.	A new appliance may smell of plastic, but this should disappear after a short time. Clean the compartment and ventilate for a few hours.
Condensate on the glass door.	Avoid opening the door frequently, or leaving the door open for extended periods. High ambient temperature and humidity may cause condensation.
The light is not working.	Check the power supply first. Call the retailer's after-sale service or authorised service centre.

MAINTENANCE

CLEANING

- ✓ Disconnect the appliance before cleaning.
- ✓ Clean the appliance regularly with a soft cloth or sponge.
- ✗ **DO NOT** use abrasive brushes, organic solvents, alkaline detergent, boiling water, washing powder or harsh chemicals etc.
- ✓ Clean regularly surfaces that come in contact with accessible drainage systems.

POWER CUT

- ✓ To protect your wines during a power cut, avoid opening the door as much as possible.
- ✓ During very long power cuts, take the necessary measures to protect your wine.

IF THE APPLIANCE IS NOT BEING USED FOR A LONG TIME

- ✓ Remove all bottles from the appliance.
- ✓ Switch off, defrost, clean, dry, and leave the door open to prevent mould developing within the appliance.
Note: If the appliance is disconnected or if there is a power cut, you must wait at least five minutes before re-starting.
- ✓ Servicing is only to be carried out by an authorised service centre.

MOVING THE APPLIANCE

- ✓ Turn off the power supply and unplug the appliance.
- ✓ Remove all bottles.
- ✗ **DO NOT** lean the appliance more than 45° when transporting.

DISPOSAL

- ✓ Dispose of this appliance in accordance to local regulations.
- ✓ Before you scrap the appliance, remove the doors.

Environment Protection and Waste Protection and Electrical Equipment Regulations (WEEE)

Recycle unwanted packaging materials. When this product is no longer required, or has reached the end of its useful life, please dispose of it in an environmentally friendly way. Drain any fluids (if applicable) into approved containers, in accordance with local waste regulations. It is our policy to continually improve products and we reserve the right to alter data, specifications and parts without prior notice. No liability is accepted for incorrect use of this product. Guarantee is 12 months from purchase date, proof of which is required for any claim.

Dellonda Limited

Kempson Way, Suffolk Business Park, Bury St Edmunds, Suffolk. IP32 7AR

 01284 757575
  support@dellonda.co.uk
  www.dellonda.co.uk

Product Information Sheet. Refrigerating Appliances

SUPPLIER_NAME_OR_TRADEMARK Dellonda EU Ltd. DELEGATED_ACT EU/2019/2016
 MODEL_IDENTIFIER DH117

Baridi 36 Bottle Wine Fridge & Cooler 60cm

ADDRESS Farney Street, Carrickmacross, Co. Monaghan, A81 PK68 Ireland
 PHONE_NUMBER 01284 757 500
 EMAIL_ADDRESS TechnicalCompliance@dellonda.co.uk

Parameter Verification tolerances

Low-noise appliance	No	Design type	Built-in
Wine storage appliance	No	Other refrigerating appliance	No

General product parameters

Height mm	595	Total volume. Litres.	85
Width mm	590		
Depth mm	563		
EEL	169	Energy efficiency class	G
Airborne acoustical noise emissions (dB(a) re 1 pW)	39	Airborne acoustical noise emission class	C
Annual energy consumption kWh/a	140	Climate class	SN/N/ST

SN = extended temperate(10-32°C)

N = temperate 16-32°C

ST = subtropical 16-38°C

T = tropical 16-43°C]

Minimum ambient temperature (°C) for which the refrigerating appliance is suitable.	10	Maximum ambient temperature (°C) for which the refrigerating appliance is suitable.	38
Winter setting	No		

Compartment type

Volume.
Litres.

Recommended temperature setting for optimised food storage

Freezing capacity
(kg/24 h)

Defrosting type
(auto = A Manual = D)

Pantry					
Wine storage appliance	Yes	85.0		-	
Beverage / Beer cooler				-	
Cellar				-	
Fresh food				-	
Chill				-	
0-star or ice-making				-	
1-star				-	
2-star				-	
3-star				-	
4-star				-	
2-star section				-	
Variable temperature compartment	Compartment types			-	

4-star compartments

Light source parameters

Fast freeze facility	No	Type of light source	LED
		Energy efficiency class	exempt
		Minimum duration of guarantee (years)	1

Suppliers website <https://www.dellonda.co.uk/>