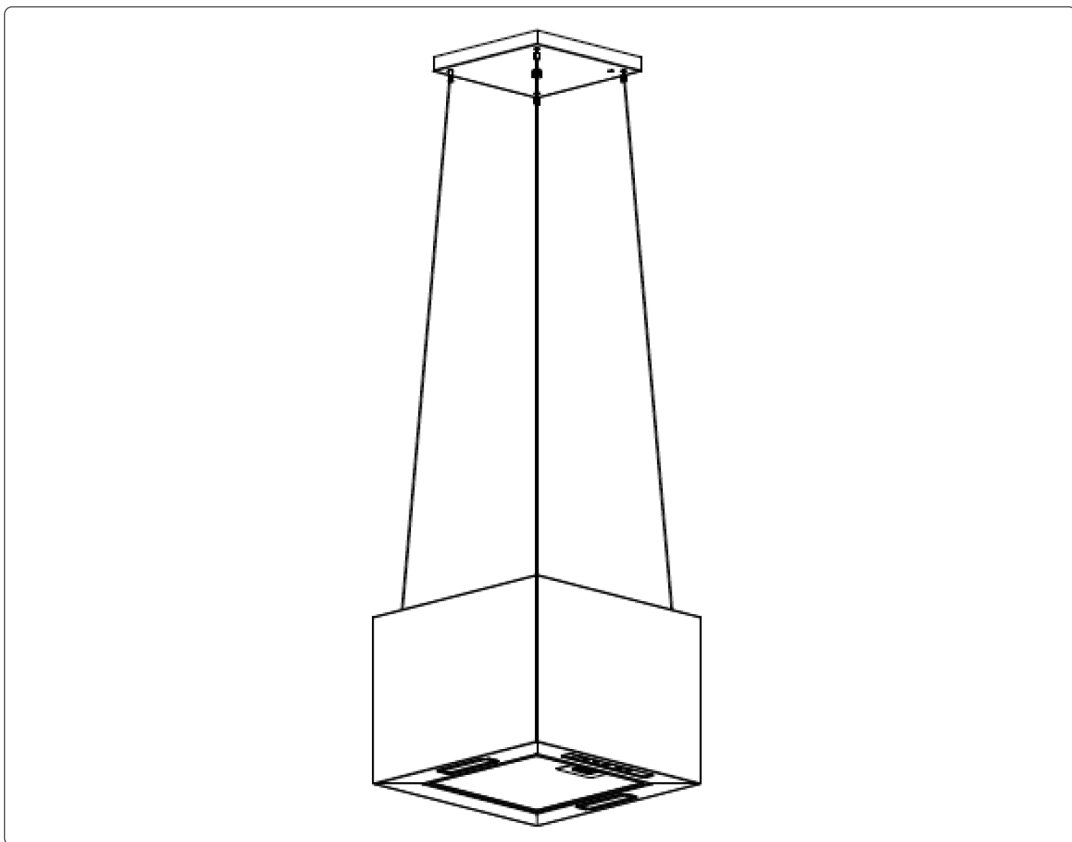




---

**Baridi Island Cooker Hood, Square Style, 3-Speed,  
40cm - Black**

---



**Model No: DH109**

Thank you for purchasing a Dellonda product. Manufactured to a high standard, this product will, if used according to these instructions, and properly maintained, give you years of trouble free performance.

## Important Information

Please read these instructions carefully. Note the safe operational requirements, warnings & cautions. Use the product correctly and with care for the purpose for which it is intended. Failure to do so may cause damage and/or personal injury and will invalidate the warranty. Keep these instructions safe for future use.



Refer to  
instruction  
manual



Warning:  
hot  
surface

## Specification

Airflow: 530m<sup>3</sup>/h

Cable Length: 1.5m

Control: 3 Speed Touch Control

Design: Island

Electrical Class: I

Energy Efficiency Class: A

Energy Rating: A

Headroom: 65 - 75cm

Weight: 9.7kg

Power: 78W

Product dimensions: 400 x 400 800/1700mm

Supply: 220V-240V

Type: Square

## Safety Instructions

### Electrical Safety

- **WARNING!** It is the user's responsibility to check the following:
- Check all electrical equipment and appliances to ensure that they are safe before using. Inspect power supply leads, plugs and all electrical connections for wear and damage. Dellonda recommend that an RCD (Residual Current Device) is used with all electrical products. You may obtain an RCD by contacting your local domestic stockist. If the product is used in the course of business duties, it must be maintained in a safe condition and routinely PAT (Portable Appliance Test) tested.
- Electrical safety information: It is important that the following information is read and understood.
- Ensure that the insulation on all cables and on the appliance is safe before connecting it to the power supply.
- Regularly inspect power supply cables and plugs for wear or damage and check all connections to ensure that they are secure.
- Important: Ensure that the voltage rating on the appliance suits the power supply to be used and it is fitted with the correct fuse.
- **DO NOT** pull or carry the appliance by the power cable.
- **DO NOT** use worn or damaged cables, plugs or connectors.
- If the supply cord is damaged, it must be replaced by the manufacturer, its service agent or similarly qualified persons in order to avoid a hazard.
- Dellonda recommend that installation and repairs are carried out by a qualified electrician.
- The rated residual operating current must not exceed 30mA.

### General Safety

- This manual explains the proper installation and use of your cooker hood, please read it carefully before using even if you are familiar with the product. The manual should be kept in a safe place for future reference.
- **DO NOT** try to use the cooker hood without the grease filters or if the filters are excessively greasy.
- **DO NOT** install above a cooker with a high level grill.
- **DO NOT** leave frying pans unattended during use because overheated fats or oils might catch fire.
- Never leave naked flames under the cooker hood.
- If the cooker hood is damaged, do not attempt to use it.
- **DO NOT** flambé under the cooker hood.
- **CAUTION:** Accessible parts may become hot when used with cooking appliances.
- The minimum distance between the supporting surface for the cooking vessels on the hob and the lowest part of the cooker hood. (When the cooker hood is located above a gas appliance), this distance shall be at least 65 cm.
- The air must not be discharged into a flue that is used for exhausting fumes from appliances burning gas or other fuels.
- Important! Always switch off the electricity supply at the mains during installation and maintenance such as light bulb replacement.
- The cooker hood must be installed in accordance with the installation instructions and all measurements followed.
- All installation work must be carried out by a competent person or qualified electrician.
- Please dispose of the packing material carefully. Children are vulnerable to it.
- Pay attention to the sharp edges inside the cooker hood especially during installation and cleaning.
- **WARNING!** Failure to install the screws or fixing device in accordance with these instructions may result in electrical hazards.
- **WARNING!** Before obtaining access to terminals, all supply circuits must be disconnected.
- Always put lids on pots and pans when cooking on a gas cooker.
- There shall be adequate ventilation of the room when the hood is used at the same time as appliances burning gas or other fuels.
- The hood removes odours from room but not steam.
- Hood is for domestic use only.
- If the supply cord is damaged, it must be replaced by the manufacturer, its service agent or similarly qualified persons in order to avoid a hazard.
- This appliance can be used by children aged from 8 years and above and persons with reduced physical, sensory or mental capabilities or lack of

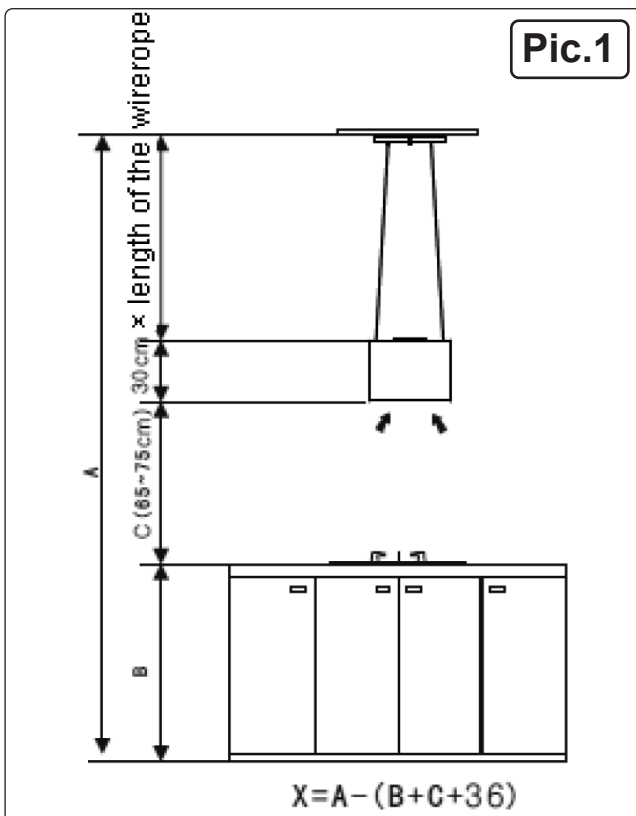
experience and knowledge if they have been given supervision or instruction concerning use of the appliance in a safe way and understand the hazards involved. Children shall not play with the appliance. Cleaning and user maintenance shall not be made by children without supervision.

- **WARNING:** Before obtaining access to terminals, all supply circuits must be disconnected.
- There is a fire risk if cleaning is not carried out in accordance with the instructions.
- Regulations concerning the discharge of air have to be fulfilled.
- Clean your appliance periodically by following the method given in the MAINTENANCE section.
- For safety reasons, please use only the same size of fixing or mounting screw which are recommended in this instruction manual.
- Regarding the details about the method and frequency of cleaning, please refer to maintenance and cleaning section in the instruction manual.
- Cleaning and user maintenance shall not be made by children without supervision.
- When the cooker hood and appliances supplied with energy other than electricity are simultaneously in operation, the negative pressure in the room must not exceed 4 Pa (4 x 10<sup>-5</sup> bar).
- **WARNING!** Danger of fire: do not store items on the cooking surfaces.
- A steam cleaner is not to be used.
- NEVER try to extinguish a fire with water, but switch off the appliance and then cover flame e.g. with a lid or a fire blanket.

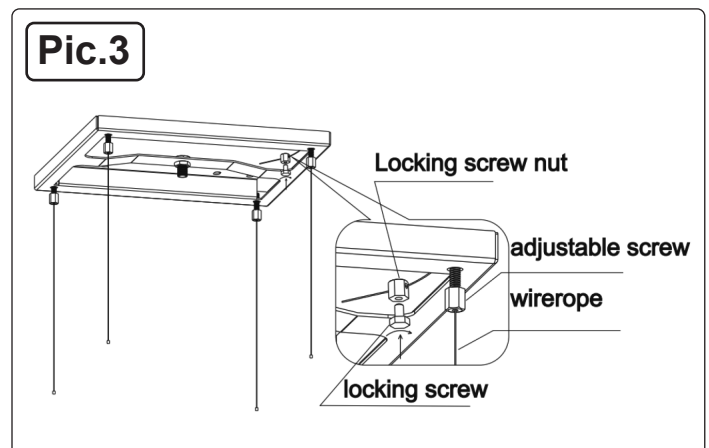
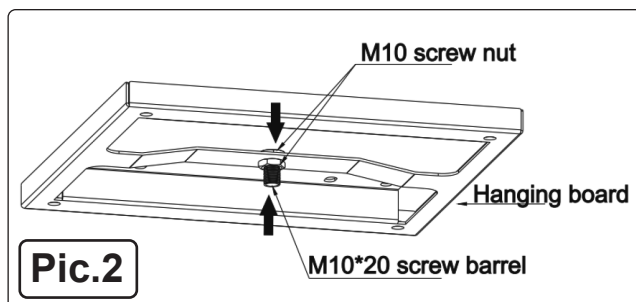
**Installation Note:** The method of installation must not depend on the use of adhesives.

### Installation

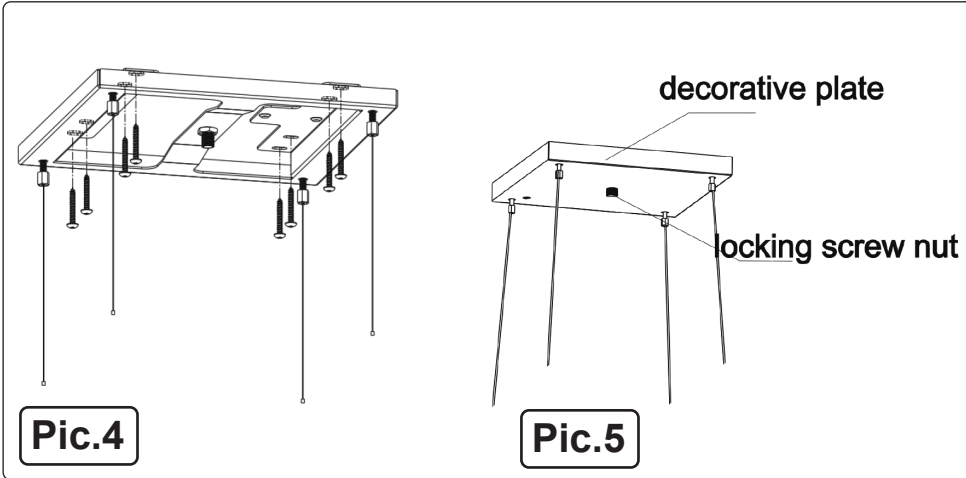
- **WARNING!** Disconnect from mains supply before installation.
- The cooker hood should be placed at a distance of 65-75cm from the cooking surface for most effective operation. See Pic 1.



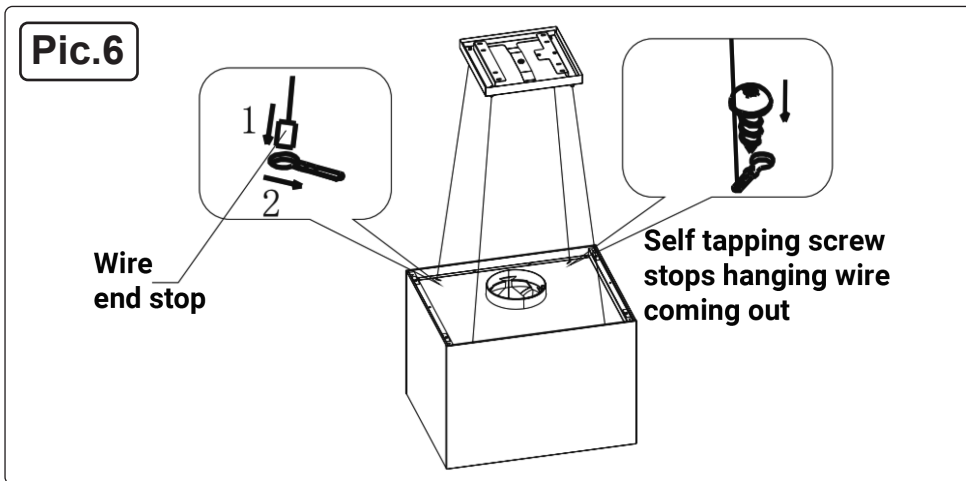
- The ceiling must be able to bear at least 120kg weight, and the thickness of the ceiling must be  $\geq 30$ MM.
- Insert the screw barrel into its central hole in hanging board. Use the 2pcs M10 screw nuts to fix the screw barrel to the hanging board. (See pic .2)
- The upper end of the screw barrel needs to extend about 1mm beyond the nut.



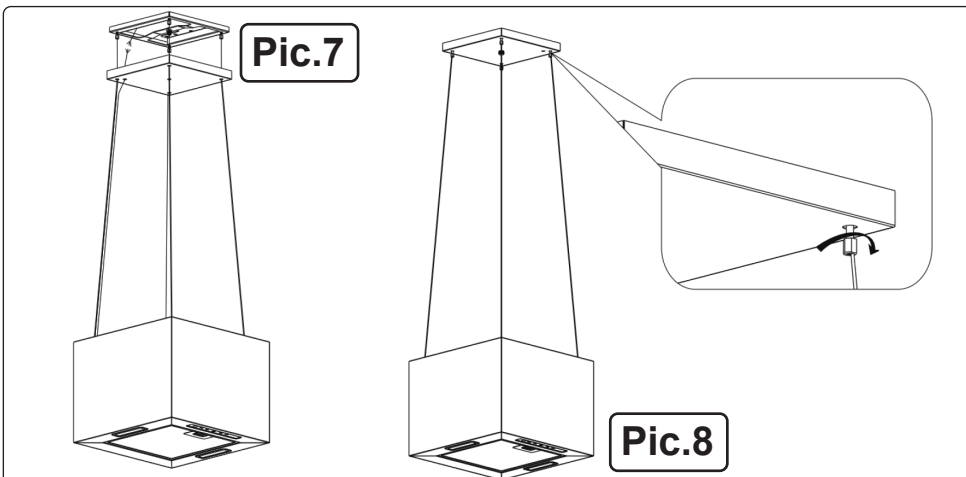
- Screw in the 4pcs adjustable screws to the hanging board. **DO NOT** screw them in too tight.
  - Pass the 4pcs wirerope through the holes in the centre 4pcs adjustable screws.
  - Calculate the length of the wirerope according pic 1 and mark it on each wire.
  - Use 4 sets of wirerope, locking screws and screw nuts to lock the 4 pcs wirerope tight on the marks on each wire.
  - Make sure the 4 pcs of wirerope are almost the same length. See pic 3.
- Drill 8pcs installation holes on the ceiling according to the 8 slotted holes on the hanging board.
  - Fixings used need to be able to support the weight of the cooker hood and be appropriate for the ceiling construction.



- Pass the 4 pcs wirerope through the decorative plate, and use the locking screw nut to fix the decorative plate onto the hanging board. See pic 5.
- Follow step 1 & 2 on pic 6 to put the end with the stop on the 4 wirerope into the slot of the cooker hood top plate, and use 4pcs **ST4\*8mm** countersunk tapping screws to lock the wirerope and stop it sliding out. See pic 6.
- Use appropriate equipment or at least a second person to support the weight of the cooker hood.



- Ensure a correctly qualified person connects the cooker hood to mains supply, ensuring mains cable is protected from any sharp edges as it passes through the decorative plate. See pic 7.
- Adjust the four adjustable screws and make the hood level, at the same time, let the wirerope evenly support the cooker hood. Install the decorative plate again, fix the power cord along the wirerope with the wire tie. See pic 8.

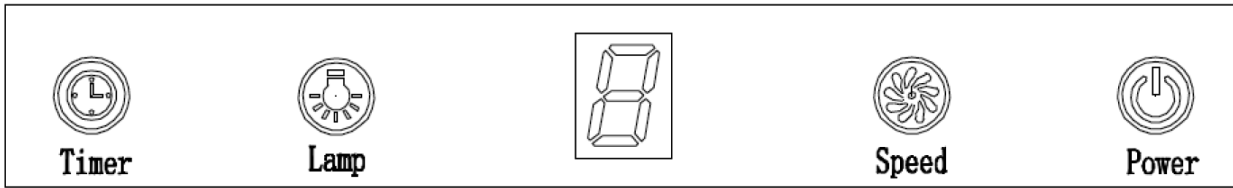


- After the installation, make sure that the cooker hood is level to avoid grease collection at on end.
- **WARNING!** For safety reasons, please use only the same size of fixing or mounting screws which are recommended in this manual.

- Failure to install the screws or fixing devices in accordance with these instructions may result in electrical hazards.

## Operation

### Touch control with LED display



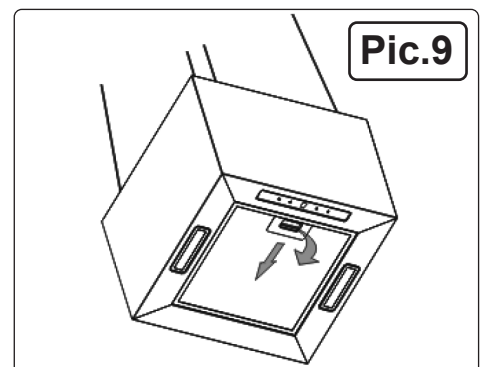
- Press the **POWER** button.
- Press the **SPEED** scroll through: low / mid / high / low / mid...etc., the LED display will indicate as 1-2-3-1-2 etc.
- Press **LIGHT** button, the light is on, press this button again, the light is off.
- **NOTE:** the Lamp is not under control of the on/off button.
- When the hood is working, press the **TIMER** button, the hood will operate for 9 minutes. The LED display will count down, showing 9.8.7.6 ...decreasing by 1, when time is up, the hood will be turned off automatically and the lamp will extinguish.
- Pressing "Timer" button, the hood will go in or go out "Timer" function.

## Troubleshooting

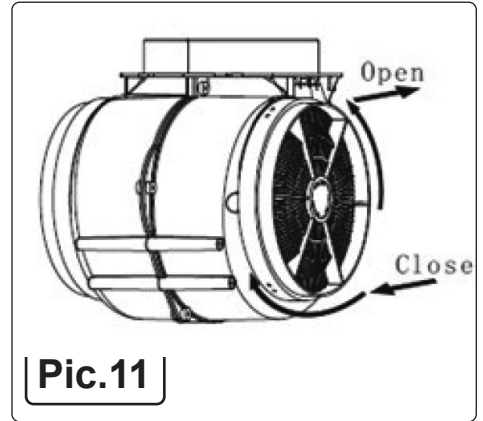
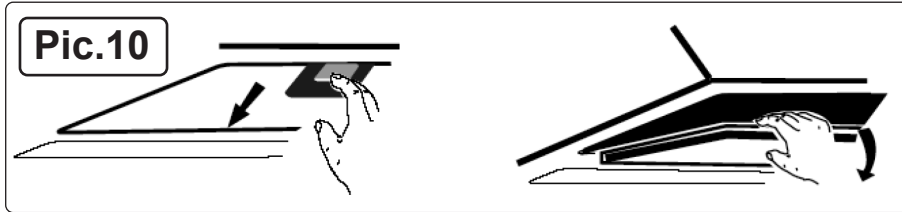
Fault	Cause	Solution
Light on, but motor does not work	Fan switch turned off	Select a fan switch position.
	Fan switch failed	Contact service centre.
	Motor failed	Contact service centre.
Light does not work, motor does not work	House fuses blown	Reset/Replace fuses.
	Mains power cable is loose or disconnected	Refit mains power cable to power outlet. Switch power outlet on.
Oil leakage	One way valve and the outlet are not tightly sealed	Take down the one way valve and seal with sealant.
	Leakage from the connection of chimney and cover	Take chimney down and seal.
Lights not working	Broken or faulty bulbs	Replace bulbs as per this instruction.
Insufficient suction	The distance between the cooker hood and the gas top is too far	Refit the cooker hood to the correct distance.
The Cooker hood inclines	The fixing screw is not tight enough	Tighten the hanging screw and make it horizontal.

## Maintenance and Cleaning

- **WARNING!** Disconnect from mains supply before performing maintenance or cleaning.
- External surfaces are susceptible to scratches and abrasions, so please follow the cleaning instructions to ensure the best possible result is achieved without damage.
- **GENERAL:** Cleaning and maintenance should be carried out with the appliance cold especially when cleaning. Avoid leaving alkaline or acid substances (lemon juice, vinegar etc.) on the surfaces.
- **STAINLESS STEEL:** Must be cleaned regularly (e.g. weekly) to ensure a long life expectancy. Dry with a clean soft cloth. A specialized stainless steel cleaning fluid may be used.
- **NOTE:** Ensure that wiping is done along with the grain of the stainless steel to prevent any unsightly crisscross scratching patterns from appearing.
- **CONTROL PANEL SURFACE:** The inlay control panel can be cleaned using warm soapy water. Ensure the cloth is clean and well wrung before cleaning. Use a dry soft cloth to remove any excess moisture left after cleaning.
- **IMPORTANT:** Using neutral detergents and avoid using harsh cleaning chemicals, strong household detergents or products containing abrasives, as this will affect the appearance of the appliance and potentially remove any printing of artwork on the control panel and will void manufacturer's warranty.
- **GREASE MESH FILTERS:** The mesh filters can be cleaned by hand. Soak them for about 3 minutes in water with mild detergent then brush it gently with a soft brush. **DO NOT** apply too much pressure so as to avoid any damage to it. (Leave to dry naturally out of direct sun light).
- Filters should be washed separately to crockery and kitchen utensils. It is not advisable to use rinse aid.
- **INSTALLING GREASE MESH FILTERS See pic.9:** To install filters for the following four steps:
  - - Angle the filter into slots at the back of the hood.
  - - Push the button on handle of the filter.
  - - Release the handle once the filter fits into a resting position.
  - - Repeat to install all filters.
- **CARBON FILTER:**
  - Activated carbon filter can be used to trap odours. Normally the activated carbon filter should be changed every 3 to 6 months according to your cooking habits.
  - The installation procedure of activated carbon filter is as below:
    1. Before installing or replacing the carbon filters, please disconnect mains power to the unit.
    2. Press the filter lock and remove the mesh filter. See pic.10
    3. Turn the carbon filter on both sides of the motor anti-clockwise, see pic.11.
    - Replace the carbon filters with the new carbon filters.
    4. Place the mesh filter.



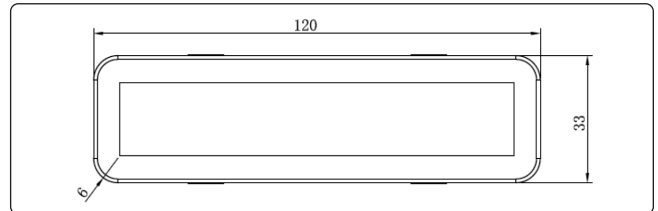
- 5. Reconnect to mains supply.



- **NOTE:** Make sure the filter is securely locked. Otherwise, it would loosen and be dangerous.
- When activated with carbon filter attached, the suction power will be lower.

• **BULB REPLACEMENT**

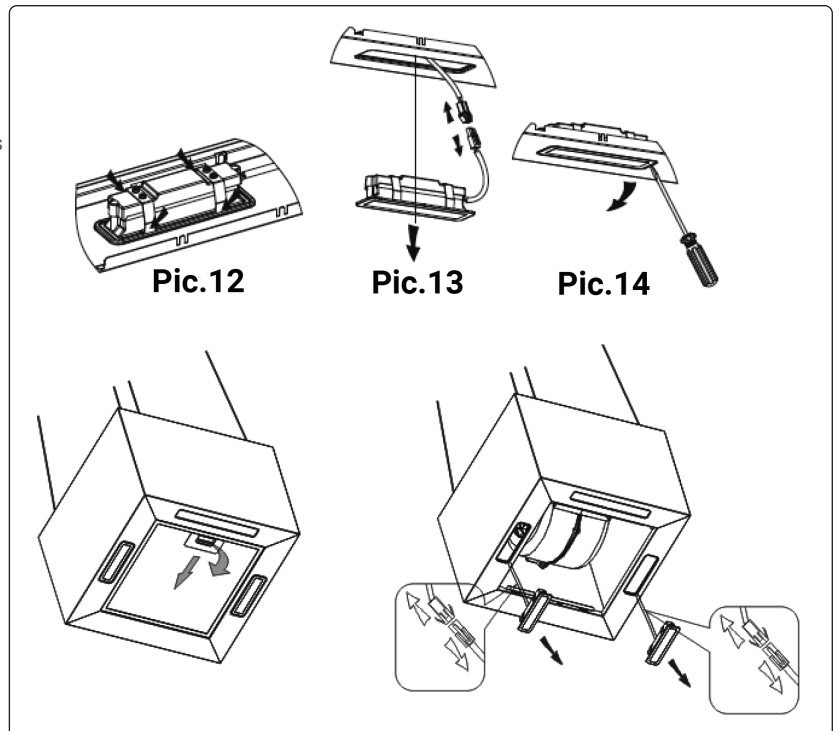
- **IMPORTANT:** The bulb must be replaced by the manufacturer, its service agent or similarly qualified persons.
- **WARNING!** Always switch off the electricity supply before carrying out any operations on the appliance, including changing the bulb.
- When handling bulb, make sure it has completely cooled down before any direct contact with hands, wear gloves.
- When handling bulbs hold with a cloth or gloves to ensure perspiration does not come in contact with the bulb as this can reduce the life of the bulb.
- Remove the grease filter.
- **Method 1:** Squeeze the two spring clips of both sides of LED light inwards, until the light is pressed out, see pic 12. Then lightly pull the light connecting wire out, and dismantle the terminal of the light connecting wire. See pic 13.
- **Method 2:** Use straight screwdriver to prize up the LED light bottom edge, see pic 3, then slightly pull out the LED light and light connecting wire. See pic 14.
- Apply the reverse procedure to install the light back.
- Bulb type: ILCOS D code for this lamp is: DSS-1.5/65-S-120/33
- – LED modules –rectangle lamp
- – Max wattage: 2×1.5 W
- – Voltage range: DC 12V
- – Dimensions: 120 x 33mm



- **NOTE:**
- The following shows how to reduce total environmental impact (e.g. energy use) of the cooking process).
- (1) Install the cooker hood in a proper place where there is efficient ventilation.
- (2) Clean the cooker hood regularly so as not to block the airway.
- (3) Remember to switch off the cooker hood light after cooking.
- (4) Remember to switch off the cooker hood after cooking.

**End of product life**

- Remove cooker hood from point of use.
- Dismantle in the reverse order of the Installation section above.
- Ensure product is disposed of according local regulations in force.



#### **Environment Protection and Waste Protection and Electrical Equipment Regulations (WEEE)**



Recycle unwanted packaging materials. When this product is no longer required, or has reached the end of its useful life, please dispose of it in an environmentally friendly way. Drain any fluids (if applicable) into approved containers, in accordance with local waste regulations. Under the Waste Batteries and Accumulators Regulations 2009, Dellonda would like to inform the user that this product contains one or more batteries. It is our policy to continually improve products and we reserve the right to alter data, specifications and parts without prior notice. No liability is accepted for incorrect use of this product. Guarantee is 12 months from purchase date, proof of which is required for any claim.

### **Dellonda Limited**

Kempson Way, Suffolk Business Park, Bury St Edmunds, Suffolk. IP32 7AR

 01284 757575  [support@dellonda.co.uk](mailto:support@dellonda.co.uk)  [www.dellonda.co.uk](http://www.dellonda.co.uk)