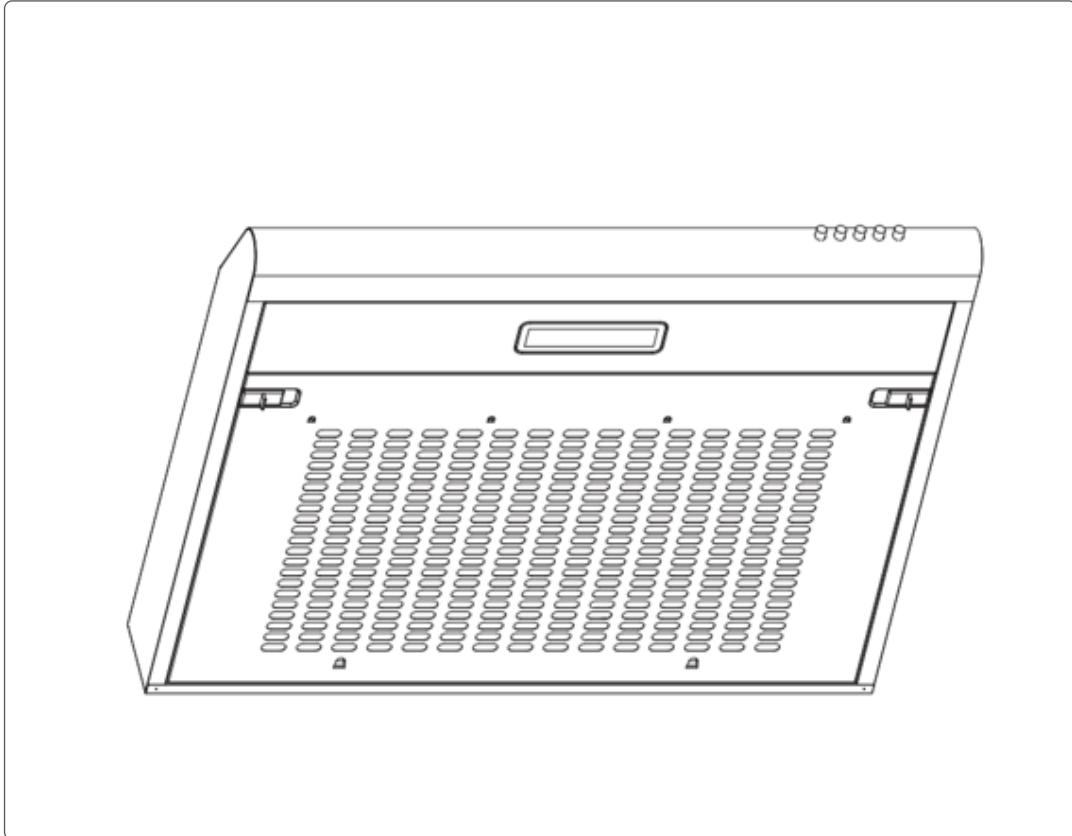


baridi

Baridi Visor Cooker Hood Extractor Fan 60cm - DH107 Black / DH108 Stainless Steel



Model No. DH107, DH108

Thank you for purchasing a Dellonda product. Manufactured to a high standard, this product will, if used according to these instructions, and properly maintained, give you years of trouble free performance.

Important Information

Please read these instructions carefully. Note the safe operational requirements, warnings & cautions. Use the product correctly and with care for the purpose for which it is intended. Failure to do so may cause damage and/or personal injury and will invalidate the warranty. Keep these instructions safe for future use.



Refer to
instruction
manual



Warning:
Hot
Surface

Specification

Airflow:	220m ³ /h
Cable Length:	1.5m
Colour:	DH107 Black, DH108 Stainless
Control:	3-Speed Push Button
Design:	Visor
Electrical Class:	Class II
Energy Efficiency Class:	C
Headroom:	60cm
Lamp Power:	2W

Nett Weight:	5kg
Power:	85W
Product Dimensions:	600 x 492 x 80mm
Supply:	220V~240V 50Hz
Type:	Wall Mounted

Safety Instructions

• ELECTRICAL SAFETY

- **WARNING!** It is the user's responsibility to check the following:
 - Check all electrical equipment and appliances to ensure that they are safe before using. Inspect power supply leads, plugs and all electrical connections for wear and damage recommend that an RCD (Residual Current Device) is used with all electrical products. You may obtain an RCD by contacting your local domestic stockist. If the product is used in the course of business duties, it must be maintained in a safe condition and routinely PAT (Portable Appliance Test) tested.
 - **Electrical safety information:** It is important that the following information is read and understood.
 - Ensure that the insulation on all cables and on the appliance is safe before connecting it to the power supply.
 - Regularly inspect power supply cables and plugs for wear or damage and check all connections to ensure that they are secure.
 - **Important:** Ensure that the voltage rating on the appliance suits the power supply to be used and it is fitted with the correct fuse.
 - **DO NOT** pull or carry the appliance by the power cable.
 - **DO NOT** use worn or damaged cables, plugs or connectors.
 - Ensure that any faulty item is repaired or replaced immediately by a qualified electrician.
 - It is recommend that installation and repairs are carried out by a qualified electrician.
 - It is advised that the rated residual operating current does not exceed 30mA.

• GENERAL SAFETY

- This manual explains the proper installation and use of your cooker hood, please read it carefully before using even if you are familiar with the product. The manual should be kept in a safe place for future reference.
- **DO NOT** try to use the cooker hood without the grease filters or if the filters are excessively greasy!
- **DO NOT** install above a cooker with a high level grill.
- **DO NOT** leave frying pans unattended during use because overheated fats or oils might catch fire.
- Never leave naked flames under the cooker hood.
- If the cooker hood is damaged, do not attempt to use it.
- **DO NOT** flambé under the cooker hood.
- **CAUTION:** Accessible parts may become hot when used with cooking appliances.
- The minimum distance between the supporting surface for the cooking vessels on the hob and the lowest part of the cooker hood. (When the cooker hood is located above a gas appliance), this distance shall be at least 65 cm.
- The air must not be discharged into a flue that is used for exhausting fumes from appliances burning gas or other fuels.
- **ALWAYS:**
 - Important! Always switch off the electricity supply at the mains during installation and maintenance such as light bulb replacement.
 - The cooker hood must be installed in accordance with the installation instructions and all measurements followed.
 - All installation work must be carried out by a competent person or qualified electrician.
 - Please dispose of the packing material carefully. Children are vulnerable to it.
 - Pay attention to the sharp edges inside the cooker hood especially during installation and cleaning.
 - Make sure the ducting has no bends sharper than 90 degrees as this will reduce the efficiency of the cooker hood.
 - **WARNING:** Failure to install the screws or fixing device in accordance with these instructions may result in electrical hazards.
 - **WARNING:** Before obtaining access to terminals, all supply circuits must be disconnected.
 - Always put lids on pots and pans when cooking on a gas cooker.
 - When in extraction mode, air in the room is being removed by the cooker hood. Please make sure that proper ventilation measures are being observed.
 - There shall be adequate ventilation of the room when the range hood is used at the same time as appliances burning gas or other fuels.
 - The cooker hood removes odours from room but not steam.
 - Cooker hood is for domestic use only.

- If the supply cord is damaged, it must be replaced by the manufacturer, its service agent or similarly qualified persons in order to avoid a hazard.
- This appliance can be used by children aged from 8 years and above and persons with reduced physical, sensory or mental capabilities or lack of experience and knowledge if they have been given supervision or instruction concerning use of the appliance in a safe way and understand the hazards involved. Children shall not play with the appliance. Cleaning and user maintenance shall not be made by children without supervision.
- **WARNING:** Before obtaining access to terminals, all supply circuits must be disconnected.
- **CAUTION:** The appliance and its accessible parts can become hot during operation. Be careful to avoid touching the heating elements. Children younger than 8 years old should stay away unless they are under permanent supervision.
- There is a fire risk if cleaning is not carried out in accordance with the instructions
- Regulations concerning the discharge of air have to be fulfilled.
- Clean your appliance periodically by following the method given in the chapter MAINTENANCE.
- For safety reason, please use only the same size of fixing or mounting screw which are recommended in this instruction manual.
- Regarding the details about the method and frequency of cleaning, please refer to maintenance and cleaning section in the instruction manual.
- Cleaning and user maintenance shall not be made by children without supervision.
- When the cooker hood and appliances supplied with energy other than electricity are simultaneously in operation, the negative pressure in the room must not exceed 4 Pa (4×10^{-5} bar).
- **WARNING:** Danger of fire: do not store items on the cooking surfaces.
- A steam cleaner is not to be used.
- NEVER try to extinguish a fire with water, but switch off the appliance and then cover flame e.g. with a lid or a fire blanket.

• INSTALLATION (VENT OUTSIDE)

• V-FLAP MOUNTING

- If the cooker hood does not have an assembled V-flap 1, you should mount the half-parts to its body. The images only show an example of how to mount the V-flap, the outlet may be various according to different models and configuration.
- To mount the V-flap 1:
 - Mount two half-parts 2 into the body 6
 - Pin 3 should be located on the top
 - The axle 4 should be inserted in the holes 5 on body
- Repeat all the operations for the 2nd half-part

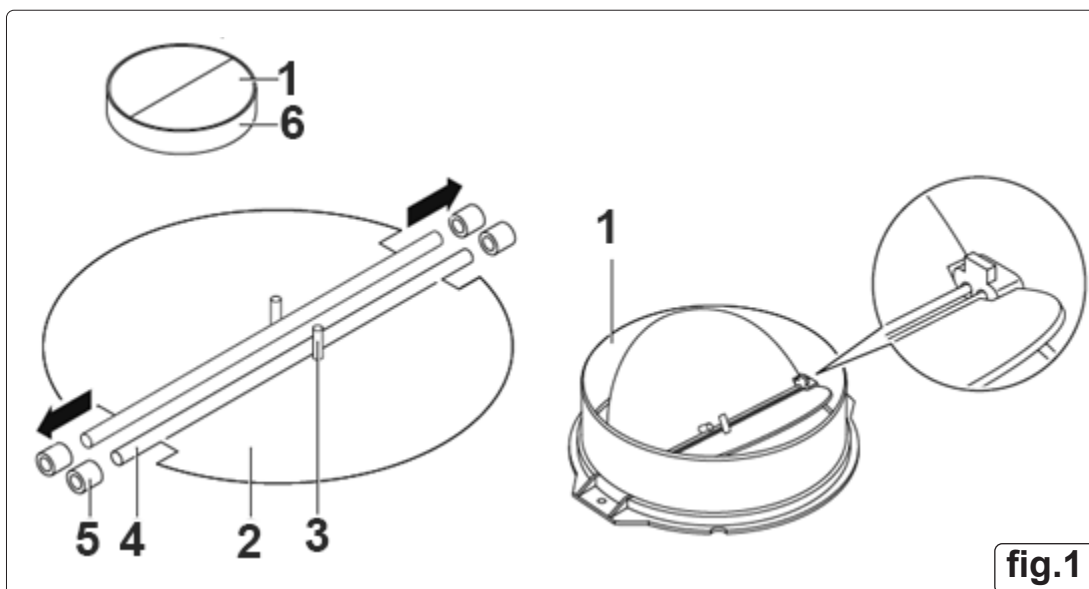


fig.1

INSTALLATION

- Before installation, turn the unit off and unplug it from the mains supply.

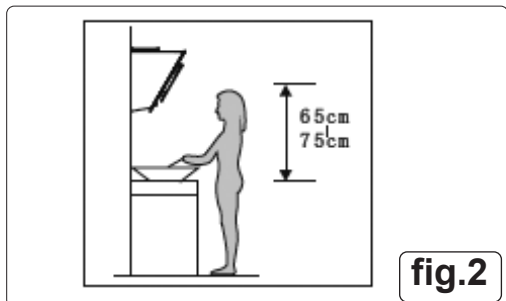


fig.2

- The cooker hood should be placed at a distance of 65~75cm above the cooking surface for best performance, fig.2.
- Decide the location of the holes for fixing the cooker hood. To install onto the wall, drill 2 holes of \varnothing 8mm on a horizontal plane. See fig.3

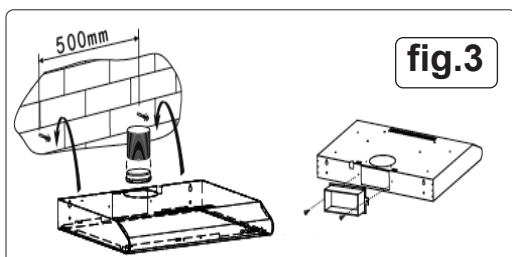
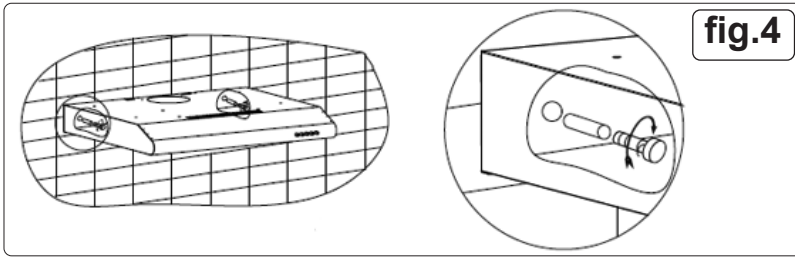
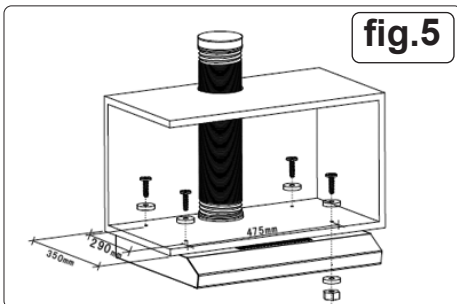


fig.3

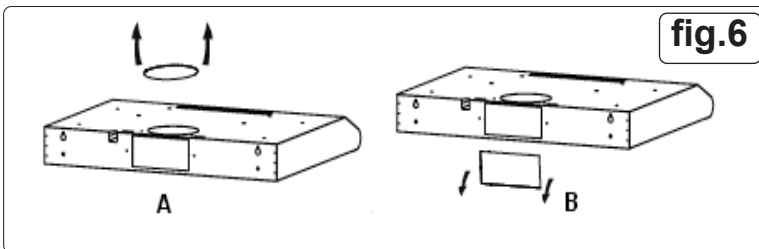
- Insert the plug into the holes.
- Insert the screws into the plugs and tight.
- Put up the cooker hood onto the fixed screws.
- Then place the supplied screws into the two holes of inside the hood, then tighten screws to the hood onto the wall.



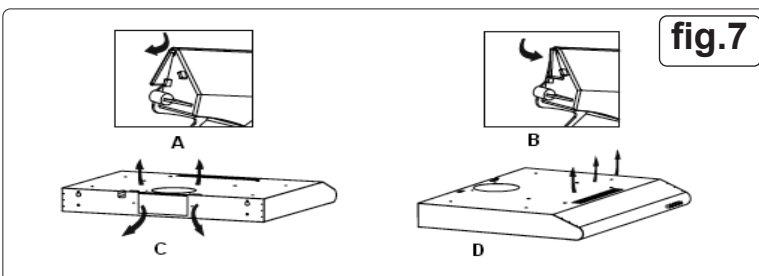
- Attach the outlet onto the cooker hood. Lay the expansion pipe on the outlet. Lift up the expansion pipe till it out of the wall through the hole on the wall.
- **INSTALLATION (Cabinet Mounting)**
- Drill 4 holes of $\varnothing 6\text{mm}$ at the bottom of the hanging cupboard. See fig.5.
- Put the outlet on the cooker hood, then install the cooker hood on the bottom of the cupboard, tighten the cooker hood with enclosed M4 screws and flat washers.



- Lay the expansion pipe on the outlet. Lift up the expansion pipe till it out of the wall through the hole on the wall.
- **NOTE:** There are 2 methods for ventilation, including 'horizontal ventilation' and 'vertical ventilation'. Please pay attention to the ventilation method when installation.
- Vertical ventilation: See fig.6A, please use the cover to seal the outlet on the back, then the air can be vented from top.
- Horizontal ventilation: See fig.6B, please use the cover to seal the outlet on the top, then the air can be vented from back.



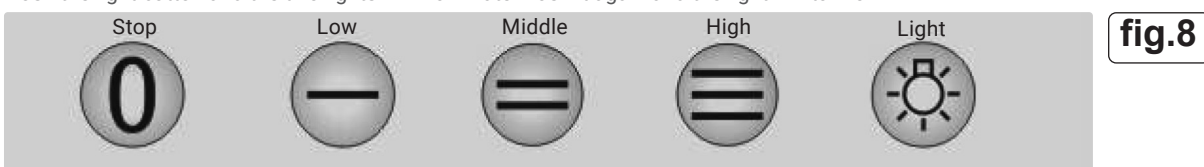
- **AIR VENTILATION SETTING**
- Outdoor air ventilation: Turn the adjuster to outdoor position(fig.6A), install the outlet, turn on the cooker hood, then the air will be vented from the outside outlet.
- Indoor air ventilation: Turn the adjuster to indoor position (fig.6B), install the outlet cover, turn on the cooker hood, then the air can be vented from the inside outlet.



- **WARNING** For safety reasons, please use only the same size of fixing or mounting screws which are recommended in this instruction manual.
- Failure to install the screws or fixing device in accordance with these instructions may result in electrical hazards.

OPERATION

- **PUSH BUTTONS (fig.8)**
- Push the stop button, and the motor will stop.
- Push the low button, and the motor will run at low speed.
- Push the middle button, and the motor will run at mid speed.
- Push the high button, and the motor will run at high speed.
- Push the light button and the two lights will illuminate. Push it again and the light will turn off.



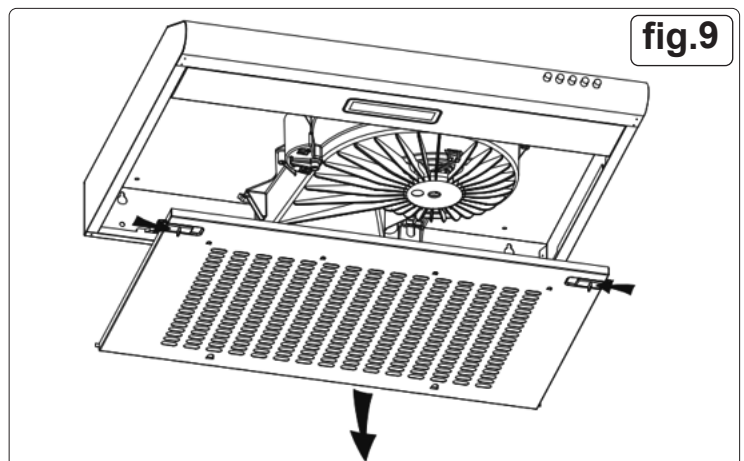
TROUBLESHOOTING

Fault	Cause	Solution
Light on but motor does not work	Fan switch turned off	Select a fan switch position
	Fan switch failed	Contact service centre
	Motor failed	Contact service centre
Light does not work, motor does not work	House fuses blown	Reset/replace fuses
	Mains cable loose or disconnected	Refit mains power cable to power outlet. Switch power on.
Oil leakage	One way valve and the outlet are not tightly sealed	Remove one way valve and seal with sealant
	Leakage from the connection of chimney and cover	Take chimney down and seal
Lights not working	Broken or faulty bulbs	Replace bulbs as per instructions in this manual
Insufficient suction	Distance between the cooker hood and the gas hob is too great	Refit the cooker hood to the correct distance
Cooker hood inclines	Fixing screws are not tight enough	Tighten the hanging screw and make horizontal

Any electrical repairs to this appliance must be carried out by a certified electrician or a Sealey stockist. Please contact the service centre if in any doubt before undertaking any of the above. Always disconnect the unit from the mains supply when opening the unit.

MAINTENANCE AND CLEANING

- **WARNING** Before maintenance or cleaning is carried out, the cooker hood should be disconnected from the mains power supply. Ensure that the cooker hood is switched off at the wall socket and the plug removed.
- External surfaces are susceptible to scratches and abrasions, so please follow the cleaning instructions to ensure the best possible result is achieved without damage.
- **GENERAL**
- Cleaning and maintenance should be carried out with the appliance cold especially cleaning. Avoid leaving alkaline or acid substances (lemon juice, vinegar etc.) on the surfaces.
- **STAINLESS STEEL**
- The stainless steel must be cleaned regularly (e.g. weekly) to ensure long life expectancy. Dry with a clean soft cloth. A specialized stainless steel cleaning fluid may be used.
- **NOTE:** Ensure that wiping is done along with the grain of the stainless steel to prevent any unsightly criss-cross scratching patterns from appearing.
- **CONTROL PANEL SURFACE**
- The control panel can be cleaned using warm soapy water. Ensure the cloth is clean and well wrung before cleaning. Use a dry soft cloth to remove any excess moisture left after cleaning.
- **IMPORTANT**
- Use neutral detergents and avoid using harsh cleaning chemicals, strong household detergents or products containing abrasives, as this will affect the appliance appearance and potentially remove any printing of artwork on the control panel and will void manufacturer's warranty.
- **GREASE MESH FILTERS**
- The mesh filters can be cleaned by hand. Soak them for about 3 minutes in water with a grease-loosening detergent then brush it gently with a soft brush. Do not apply too much pressure, to avoid damage. (Leave to dry naturally out of direct sun light).
- Filters should be washed separately to crockery and kitchen utensils. It is advisable not to use rinse aid.
- **REPLACING GREASE MESH FILTERS (fig.9, fig.10)**
- **REMOVE GREASE MESH FILTERS**
- Push the grease mesh filter catches forward and remove the front of the filter housing.
- Then push the left or right lower side stops of the filter up until the hanging point at one side stop is not hanging in the hood cavity.
- Finally, take the whole mesh filters away.
- Please **DO NOT** use abrasive detergent for it will damage the hood.
- **INSTALLING GREASE MESH FILTERS**
- To install filters for the following four steps .
- Angle the filter into slots at the back of the hood.
- Push the button on handle of the filter.
- Release the handle once the filter fits into a resting position.
- Repeat to install all filters.
- **CARBON FILTER**
- Activated carbon filter can be used to trap odours. Normally the activated carbon filter should be changed at three or six months according to your cooking habit. The installation procedure of carbon filter is as below.
- 1. Remove the grease filter.
- 2. Place the carbon filter onto the grease filter.
- 3. Fix the carbon filter with the small piece of steel wire.
- 4. Reinstall the grease filter.
- 5. Use carbon filters for recirculation mode only



- **NOTE:** Make sure the filter is securely locked.
- Otherwise, it could loosen and be dangerous.
- When the activated carbon filter is fitted, the suction power will be lowered.
- **BULB REPLACEMENT**
- The bulb must be replaced by the manufacturer, its service agent or similarly qualified persons.
- **WARNING!** Always switch off the mains electricity supply before carrying out any operations on the appliance. When handling bulb, make sure it has completely cooled.
- When handling bulbs hold with a cloth or gloves to ensure perspiration does not come in contact with the bulb as this can reduce the life of the bulb.
- Remove the filter.
- Loosen the 2pcs ST4*8mm self-tapping screw from the lighting panel, take out the lighting fixture.
- Disassembly the 3pcs ST3*12mm screws on the terminal box cover and take down the wire cover.
- Pull out the terminal from the PCB terminal block, disconnect the wire connector and replace the lamp.
- **ILCOS D** code for this lamp is: **DBS-2/65-H-120/33.**
- **LED** modules –rectangle **LED** lamp.
- Max wattage: 1x2 W
- Voltage range: **AC 110-240V**
- **DIMENSIONS**

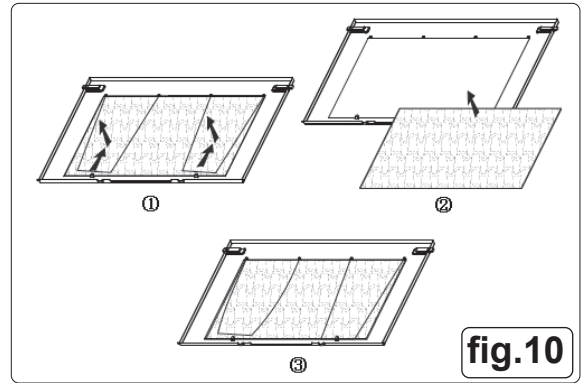


fig.10

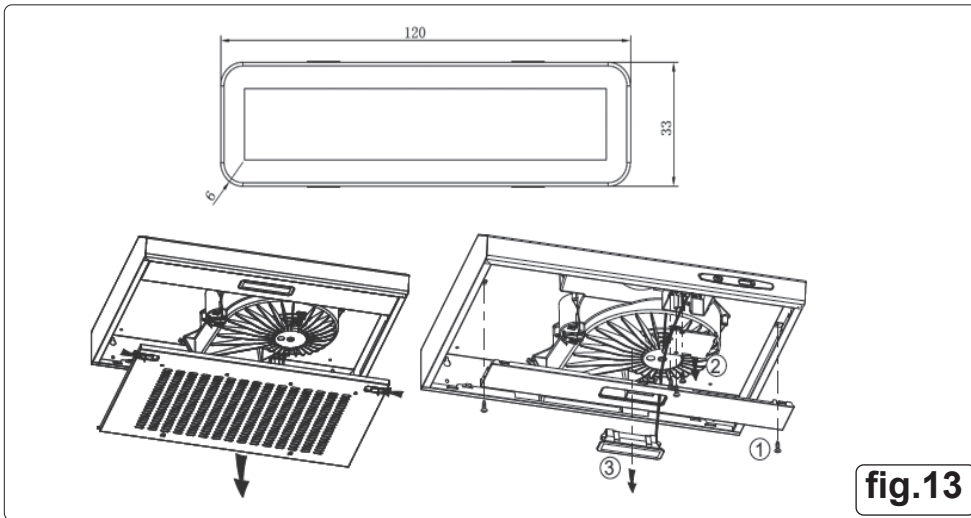


fig.13

ENVIRONMENTAL IMPACT OF THE COOKING PROCESS

When whole life cycles of food products are taken into account, food is estimated to emit up to 37% of global GHG emissions. Most studies estimate the climate change impact of food only up to the retail/purchase stages of the food supply chain, thus excluding consumption (here defined as food preparation and cooking). However, the preparation of meat and vegetables can contribute up to 20% and 36% of total product emissions, respectively, when recipe recommendations of major cooking methods are followed. Cooking food from scratch at home can result in lower overall GHG emissions than consuming ready-made meals. Previous studies have indicated that GHG emissions from home cooking can be reduced by minimizing cooking times and appliance use. Such a reduction can reach 86% in the case of pasta, and the equivalent of 18–55% less energy use in the case of roast beef and Yorkshire puddings. However, little is known about actual cooking practices for different foods in households. Previously recorded cooking practices adopted by university students could indicate how to reduce GHG emissions due to unsustainable cooking, but are not representative of general consumption patterns across the population.

Environment Protection and Waste Protection and Electrical Equipment Regulations (WEEE)

Recycle unwanted packaging materials. When this product is no longer required, or has reached the end of its useful life, please dispose of it in an environmentally friendly way. Drain any fluids (if applicable) into approved containers, in accordance with local waste regulations. Under the Waste Batteries and Accumulators Regulations 2009, Dellonda would like to inform the user that this product contains one or more batteries. It is our policy to continually improve products and we reserve the right to alter data, specifications and parts without prior notice. No liability is accepted for incorrect use of this product. Guarantee is 12 months from purchase date, proof of which is required for any claim.

Dellonda Limited

Kempson Way, Suffolk Business Park, Bury St Edmunds, Suffolk. IP32 7AR

01284 757575 support@dellonda.co.uk www.dellonda.co.uk