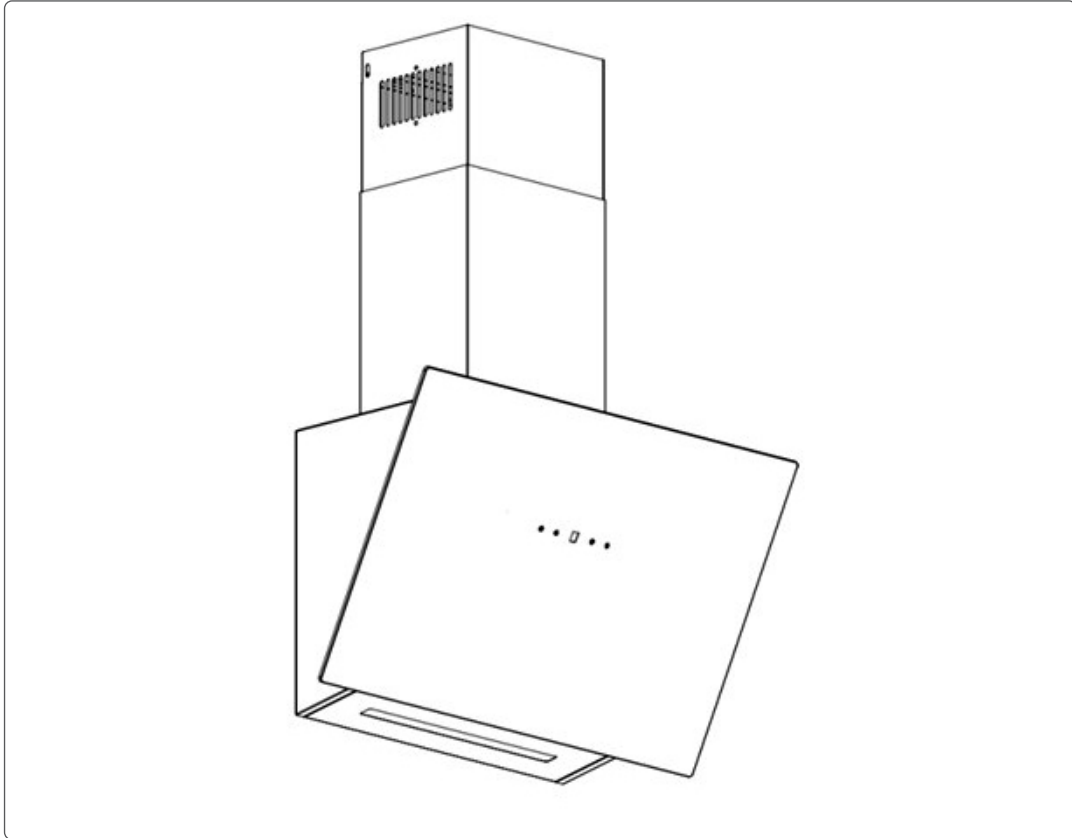




60cm Angled Chimney Cooker Hood with Carbon Filters, Touch Controls, LED lamp, Energy Class A+, Black Glass



Model No. DH105

Thank you for purchasing a Dellonda product. Manufactured to a high standard, this product will, if used according to these instructions, and properly maintained, give you years of trouble free performance.

Important Information

Please read these instructions carefully. Note the safe operational requirements, warnings & cautions. Use the product correctly and with care for the purpose for which it is intended. Failure to do so may cause damage and/or personal injury and will invalidate the warranty. Keep these instructions safe for future use.



Refer to
instruction
manual



Warning:
Hot
Surface

SPECIFICATION

Airflow:	560m ³ /h
Supply Cable Length:	1.5m
Colour:	Black
Control:	3-Speed Touch Control
Design:	Angled Chimney
Electrical Class:	Class I
Energy Efficiency Class:	A+
Energy Rating:	A+
Headroom:	60cm
Lamp Power:	3.5W

Nett Weight:	7.4kg
Power:	110W
Product Depth (Front to Back):	29.5cm
Product Dimensions (W x D x H):	600 x 295 x 635/915mm
Product Height (Floor to Top):	91.5cm
Product Width (Side to Side):	60cm
Supply:	220-240V
Type:	Wall Mounted

SAFETY INSTRUCTIONS

• ELECTRICAL SAFETY

• **WARNING!** It is the user's responsibility to check the following:

• Check all electrical equipment and appliances to ensure that they are safe before using. Inspect power supply leads, plugs and all electrical connections for wear and damage. Dellonda recommend that an RCD (Residual Current Device) is used with all electrical products. You may obtain an RCD by contacting your local domestic stockist. If the product is used in the course of business duties, it must be maintained in a safe condition and routinely PAT (Portable Appliance Test) tested.

• **Electrical safety information:** It is important that the following information is read and understood.

• Ensure that the insulation on all cables and on the appliance is safe before connecting it to the power supply.

• **WARNING!** It is advised the rated residual operating current does not exceed 30mA.

• Regularly inspect power supply cables and plugs for wear or damage and check all connections to ensure that they are secure.

• **IMPORTANT:** Ensure that the voltage rating on the appliance suits the power supply to be used and it is fitted with the correct fuse.

• **DO NOT** pull or carry the appliance by the power cable.

• **DO NOT** use worn or damaged cables, plugs or connectors.

• Ensure that any faulty item is repaired or replaced immediately by a qualified electrician.

• Dellonda recommend that installation and repairs are carried out by a qualified electrician.

• The voltage rating of the lamp is less than the rated voltage of the appliance. The voltage rating of the lamp shall also be marked on or near the lamp holder.

• SUPPLY CORD

• **WARNING!** If the supply cord is damaged, it must be replaced by the manufacturer, its service agent or similarly qualified persons in order to avoid a hazard.

• GENERAL SAFETY

• This manual explains the proper installation and use of your cooker hood, please read it carefully before using even if you are familiar with the product. The manual should be kept in a safe place for future reference.

• **DO NOT** try to use the cooker hood without the grease filters or if the filters are excessively greasy!

• **DO NOT** install above a cooker with a high level grill.

• **DO NOT** leave frying pans unattended during use because overheated fats or oils might catch fire.

• Never leave naked flames under the cooker hood.

• If the cooker hood is damaged, do not attempt to use it.

• **DO NOT** flambé under the cooker hood.

• **CAUTION:** Accessible parts may become hot when used with cooking appliances.

• The minimum distance between the supporting surface for the cooking vessels on the hob and the lowest part of the cooker hood. (When the cooker hood is located above a gas appliance), this distance shall be at least 65cm.

• The air must not be discharged into a flue that is used for exhausting fumes from appliances burning gas or other fuels. Cooker hoods and other cooking fume extractors may adversely effect the safe operation of appliances burning gas or other fuels (including those in other rooms) due to back flow of combustion gases. These gases can potentially result in carbon monoxide poisoning. After installation of a cooker hood or other cooking fume extractor, the operation of open flued gas appliances should be tested by a competent person to ensure that back flow of combustion gases does not occur.

• ALWAYS:

• **IMPORTANT!** Always switch off the electricity supply at the mains during installation and maintenance such as light bulb replacement.

• The cooker hood must be installed in accordance with the installation instructions and all measurements followed.

• All installation work must be carried out by a competent person or qualified electrician.

• Please dispose of the packing material carefully. Children are vulnerable to it.

- Pay attention to the sharp edges inside the cooker hood especially during installation and cleaning.
- Make sure the ducting has no bends sharper than 90 degrees as this will reduce the efficiency of the cooker hood.
- **WARNING!** Failure to install the screws or fixing device in accordance with these instructions may result in electrical hazards.
- **WARNING!** Before obtaining access to terminals, all supply circuits must be disconnected.
- Always put lids on pots and pans when cooking on a gas cooker.
- When in extraction mode, air in the room is being removed by the cooker hood. Please make sure that proper ventilation measures are being observed. The cooker hood removes odours from the room but not steam.
- There shall be adequate ventilation of the room when the range hood is used at the same time as appliances burning gas or other fuels.
- Cooker hood is for domestic use only.
- This appliance can be used by children aged from 8 years and above and persons with reduced physical, sensory or mental capabilities or lack of experience and knowledge if they have been given supervision or instruction concerning use of the appliance in a safe way and understand the hazards involved. Children shall **NOT** play with the appliance. Cleaning and user maintenance shall not be made by children without supervision.
- **WARNING!** Before obtaining access to terminals, all supply circuits must be disconnected.
- **CAUTION:** The appliance and its accessible parts can become hot during operation. Be careful to avoid touching the heating elements. Children younger than 8 years old should stay away unless they are under permanent supervision.
- Children shall not play with the appliance. Cleaning and user maintenance shall not be made by children without supervision.
- There is a fire risk if cleaning is not carried out in accordance with the instructions.
- Regulations concerning the discharge of air have to be fulfilled.
- Clean your appliance periodically by following the method given in the chapter MAINTENANCE.
- For safety reason, please use only the same size of fixing or mounting screw which are recommended in this instruction manual.
- Regarding the details about the method and frequency of cleaning, please refer to maintenance and cleaning section in the instruction manual.
- Cleaning and user maintenance shall not be made by children without supervision.
- When the cooker hood and appliances supplied with energy other than electricity are simultaneously in operation, the negative pressure in the room must not exceed 4 Pa (4×10^{-5} bar).
- **WARNING!** Danger of fire: **DO NOT** store items on the cooking surfaces.
- A steam cleaner is not to be used.
- NEVER try to extinguish a fire with water, but switch off the appliance and then cover flame e.g. with a lid or a fire blanket.

• INSTALLATION (VENT OUTSIDE)

• V-FLAP MOUNTING

- If the cooker hood does not have an assembled V-flap 1, you should mount the half-parts to its body. The images only show an example of how to mount the V-flap, the outlet may be various according to different models and configuration.
- To mount the V-flap 1:
 - Mount two half-parts 2 into the body 6
 - Pin 3 should be located on the top;
 - The axle 4 should be inserted in the holes 5 on body;
- Repeat all the operations for the 2nd half-part.

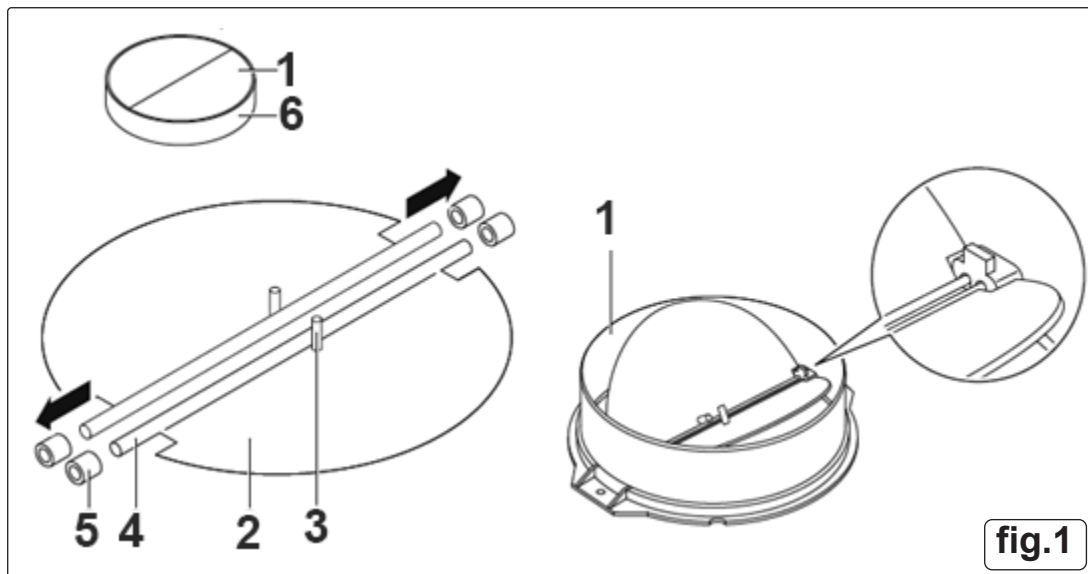


fig.1

INSTALLATION

- If you have an outlet to the outside, your cooker hood can be connected as per fig.2 by means of an extraction duct (enamel, aluminium, flexible pipe or non-flammable material with an interior diameter of 120/150mm).
- Before installation, turn the unit off and disconnect it from the mains supply.
- **WARNING!** Failure to install the screws or fixing device in accordance with these instructions may result in electrical hazards.

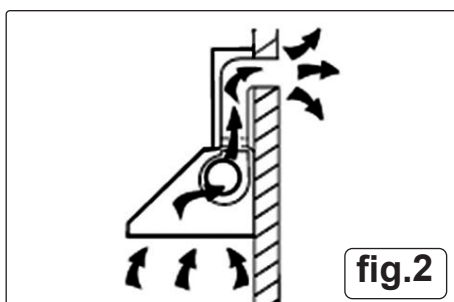


fig.2

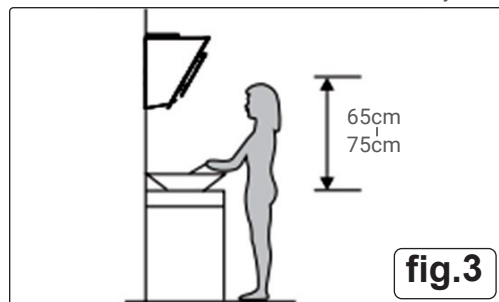
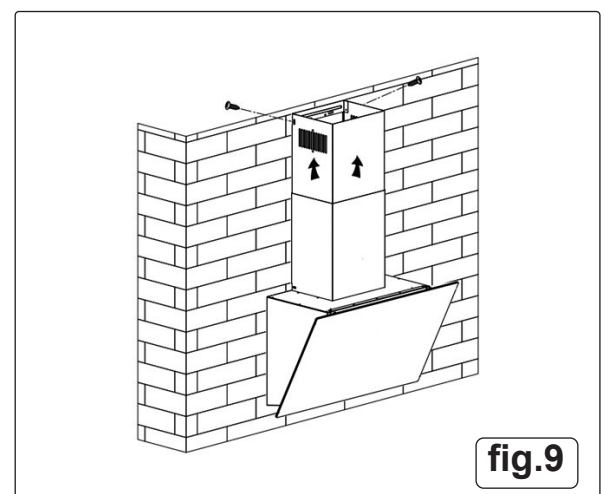
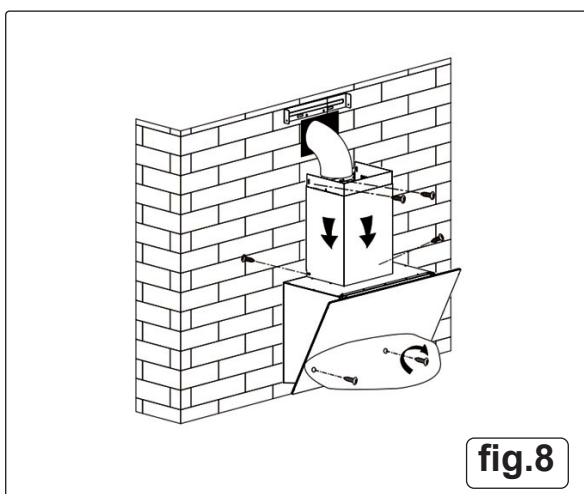
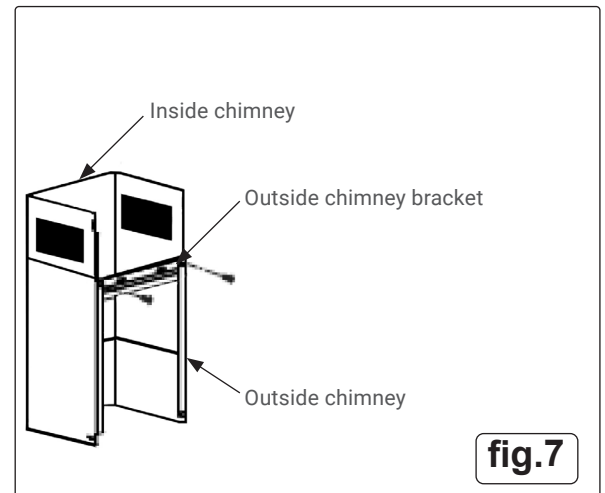
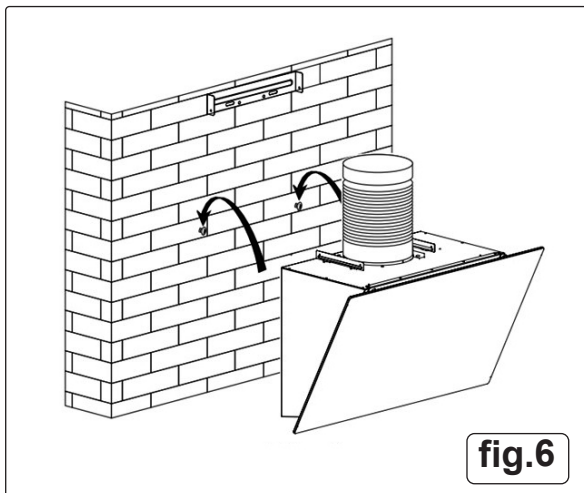
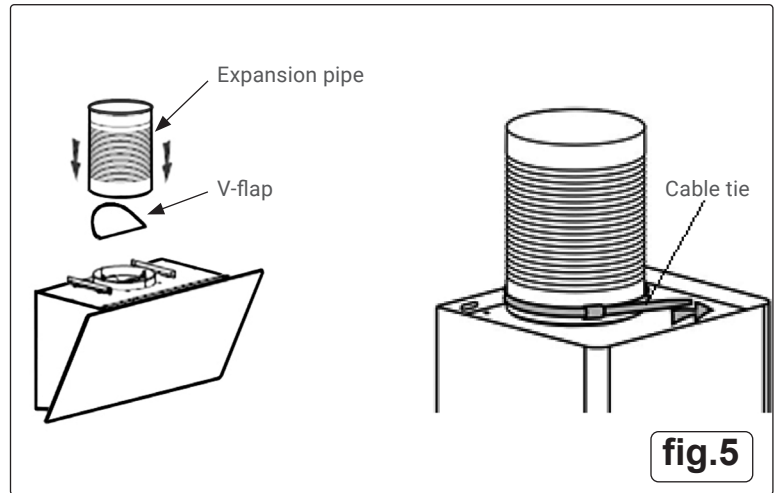
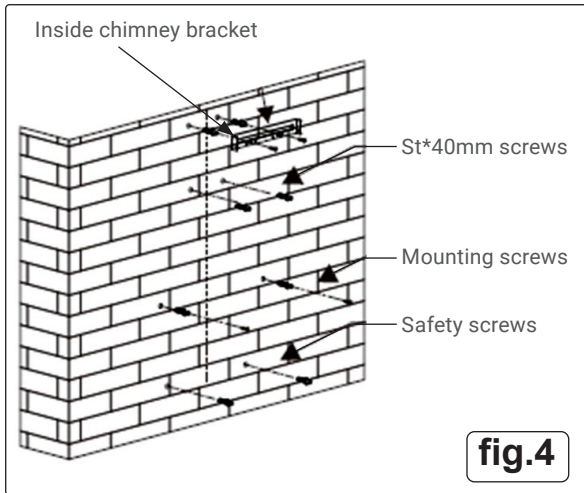


fig.3

- The cooker hood should be placed at a distance of 65-75cm above the cooking surface for best performance, fig.3.
- After deciding the cooker hood height, measure the position of the holes for hanging hood and inside chimney bracket. Drill 8 x Ø8mm and keep the hood level. The fixed position of the inside chimney bracket is the highest place of inside chimney. See fig.4.

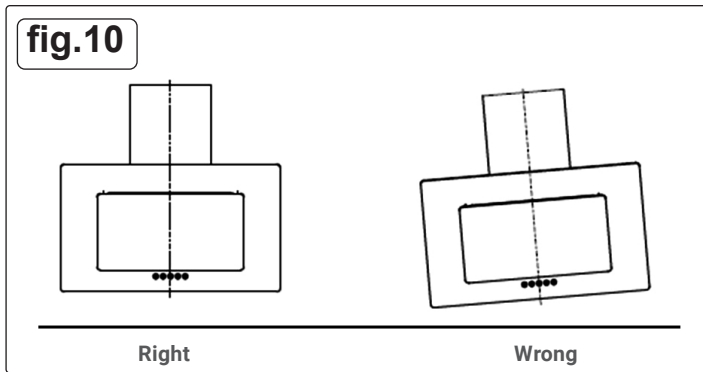
- The screws installed should leave for 3-5mm out of the wall to hang the hood, see fig.4.
- Screw two 4 x 30mm screws on the wall with wall plugs to fix the hood, then use two 4mm x 40mm screws to fix the inside chimney bracket.
- See fig.4. **NOTE:** It is important to use the correct screws in the correct positions.
- Install the V-flap in the outlet. Fix the expansion pipe on the outlet with a cable tie. See fig.5. Hang the cooker hood onto the hook. See fig.6.
- Install the outside chimney bracket onto the outside chimney with 2 **ST4*8mm** screws. Make sure the inside chimney can be slid easily. See fig.7.
- Fix the cooker hood with 2pcs **ST4*30mm** safety screws. **NOTE:** The two safety vents are positioned on the back housing, with a diameter of 6mm. Put the two chimney sections onto the cooker hood and lead the expansion pipe to the outside. See fig.8.
- Adjust the height of the inside chimney to the position of the inside chimney bracket and fix it with 2pcs **ST4*8mm** screws. See fig.9.



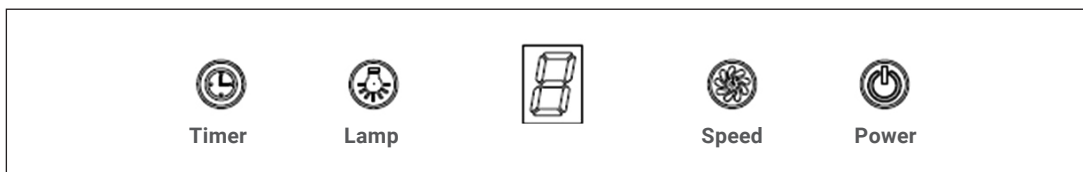
EXHAUST DUCT INSTALLATION

- The following rules must be strictly followed to obtain optimal air extraction:
- Keep expansion pipe short and straight.
- **DO NOT** reduce the size or restrict expansion pipe.
- When using expansion pipe always install the pipe pulled taut to minimize pressure loss.
- Failure to observe these basic instructions will reduce the performance and increase noise levels of the cooker hood.
- Any installation work must be carried out by a qualified electrician or competent person.
- **DO NOT** connect the ducting system of the hood to any existing ventilation system which is being used for any other appliance, such as warmer tube, gas tube, hot wind tube.
- The angle of the bend of the expansion pipe should not be less than 120°; you must direct the pipe horizontally, or, alternatively, the pipe should go up from the initial point and should be led to an outer wall.

- After the installation, make sure that the cooker hood is level to avoid grease collection at one end, fig.10.
- Ensure the expansion pipe selected for installation complies with relevant standards and is fire retardant.
- **WARNING!** For safety reasons, please use only the same size of fixing or mounting screws which are recommended in this instruction manual.
- Failure to install the screws or fixing device in accordance with these instructions may result in electrical hazards.



OPERATION



• PUSH BUTTONS

- Push the Power button, to turn the cooker hood **ON** or **OFF**.
- Push the Speed button, this sets the speed from low, medium, or high. The **LED** will indicate 1-2-3-1-2.
- Push the light button and the light will illuminate. Push it again and the light will turn off.
- Press the Timer button to use the timer function when the fan is in run mode only. Set the timer in increments of 1 to 9. 9 minutes being the longest amount of time before the fan switches off. The **LED** display indicates the amount of time left on the timer.

TROUBLESHOOTING

Fault	Cause	Solution
Light on but motor does not work.	Fan switch turned off.	Select a fan switch position.
	Fan switch failed.	Contact service centre.
	Motor failed.	Contact service centre.
Light does not work, motor does not work.	House fuses blown.	Reset/replace fuses.
	Mains cable loose or disconnected.	Refit mains power cable to power outlet. Switch power on.
Oil leakage.	One way valve and the outlet are not tightly sealed.	Remove one way valve and seal with sealant.
	Leakage from the connection of chimney and cover.	Take chimney down and seal.
Lights not working.	Broken or faulty bulbs.	Replace bulbs as per instructions in this manual.
Insufficient suction.	Distance between the cooker hood and the gas hob is too great.	Refit the cooker hood to the correct distance.
Cooker hood inclines.	Fixing screws are not tight enough.	Tighten the hanging screw and make horizontal.

Any electrical repairs to this appliance must conform to your local, state and federal laws. Please contact the service centre if in any doubt before undertaking any of the above. Always disconnect the unit from the mains supply when opening the unit.

MAINTENANCE AND CLEANING

- **WARNING!** Before maintenance or cleaning is carried out, the cooker hood should be turned off from the mains power supply.
- External surfaces are susceptible to scratches and abrasions, so please follow the cleaning instructions to ensure the best possible result is achieved without damage.
- **GENERAL**
- Clean the cooker hood regularly so as not to block the airways.
- Cleaning and maintenance should be carried out with the appliance cold especially cleaning. Avoid leaving alkaline or acid substances (lemon juice, vinegar etc) on the surfaces.
- **STAINLESS STEEL**
- The stainless steel must be cleaned regularly (e.g. weekly) to ensure long life expectancy. Dry with a clean soft cloth. A specialized stainless steel cleaning fluid may be used.
- **NOTE:** Ensure that wiping is done along with the grain of the stainless steel to prevent any unsightly criss-cross scratching patterns from appearing.
- **CONTROL PANEL SURFACE**
- The control panel can be cleaned using warm soapy water. Ensure the cloth is clean and well wrung before cleaning. Use a dry soft cloth to remove any excess moisture left after cleaning.

- **IMPORTANT**

- Use neutral detergents and avoid using harsh cleaning chemicals, strong household detergents or products containing abrasives, as this will affect the appliance appearance and potentially remove any printing of artwork on the control panel and will void manufacturer's warranty.

- **GREASE MESH FILTERS**

- The mesh filters can be cleaned by hand. Soak them for about 3 minutes in water with a grease-loosening detergent then brush it gently with a soft brush. **DO NOT** apply too much pressure, to avoid damage. (Leave to dry naturally out of direct sun light).
- Filters should be washed separately to crockery and kitchen utensils. It is advisable not to use rinse aid.
- **FOLLOW THE ILLUSTRATION BELOW TO DISMANTLE THE GREASE FILTER**

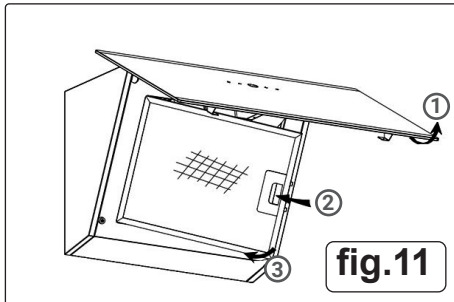


fig.11

- **INSTALLING GREASE MESH FILTERS** fig.11.

- - Angle the filter into slots at the back of the hood 1.
- - Push the button on handle of the filter 2.
- - Release the handle once the filter fits into a resting position 3.
- - Repeat to install all filters.

- **CARBON FILTER** fig.12.

- Activated carbon filter can be used to trap odours. Normally the activated carbon filter should be changed at three or six months according to your cooking habits. The installation procedure of activated carbon filter is as below.

1. **WARNING!** Before installing or replacing the carbon filters, remove from mains supply.
 2. Press the filter lock (A) on fan to remove the carbon filter.
 3. To replace the carbon filter, locate slot (B) on the fan, slot the tab on carbon filter into (B). Click the carbon filter in place.
- **NOTE:** Make sure the filter is securely locked, otherwise, it could loosen and be dangerous.
 - When the activated carbon filter is fitted, the suction power will be lowered.

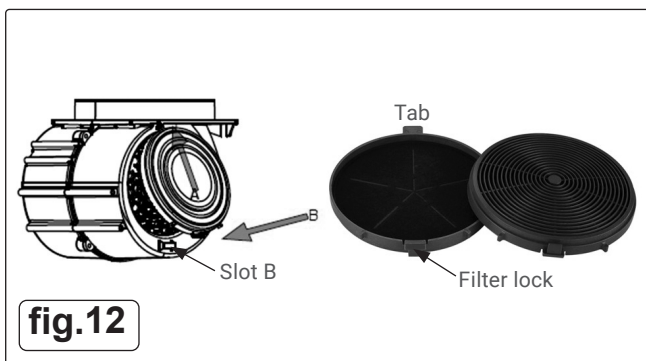


fig.12

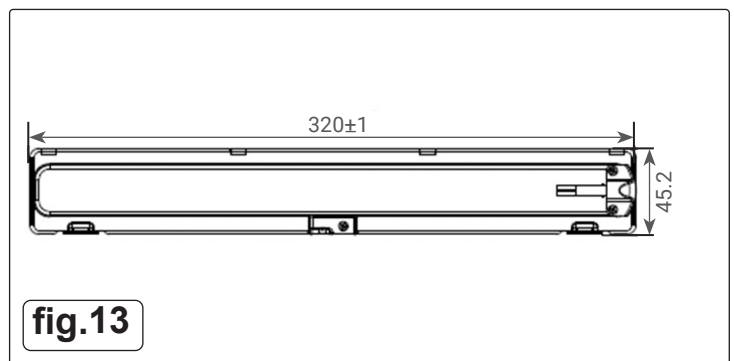


fig.13

- **BULB REPLACEMENT**

- The bulb must be replaced by the manufacturer, its service agent or similarly qualified persons.
- **WARNING!** Always switch off the mains electricity supply before carrying out any operations on the appliance. When handling bulb, make sure it has completely cooled down before any direct contact with hands.
- When handling bulbs hold with a cloth or gloves to ensure perspiration does not come into contact with the bulb, as this can reduce the life of the bulb.

- **CHANGING THE LIGHTS:**

- Open the inner glass assembly and remove the grease filter.
- Find the lamp, use a cross head screwdriver to unscrew the screws on the lamp, unplug the buckle with care, remove the lamp base and dismantle the terminal of the light connecting wire. Fig.14.

- Apply the reverse procedure to install the light back.

- **BULB TYPE:**

- **ILCOS** D code for this lamp is: **DBS-1.5/65-S-320/45.2**

- **LED** modules – rectangle lamp

- Max wattage: 1×3.5W

- Voltage range: **DC** 220-12V

- Dimensions: 320 x 45.2mm

- **OPERATING METHODS IN THE EVENT OF AN ACCIDENT/ BREAKDOWN**

- In the event of an accident turn the power to the cooker hood off at the mains.
- In the event of a breakdown contact Dellonda Service Centre.

- **SPARE PART SPECIFICATION**

- For spare parts and specification contact Dellonda Service Centre.

- **NOTE:** A qualified electrician must be used when maintenance is required on the product.

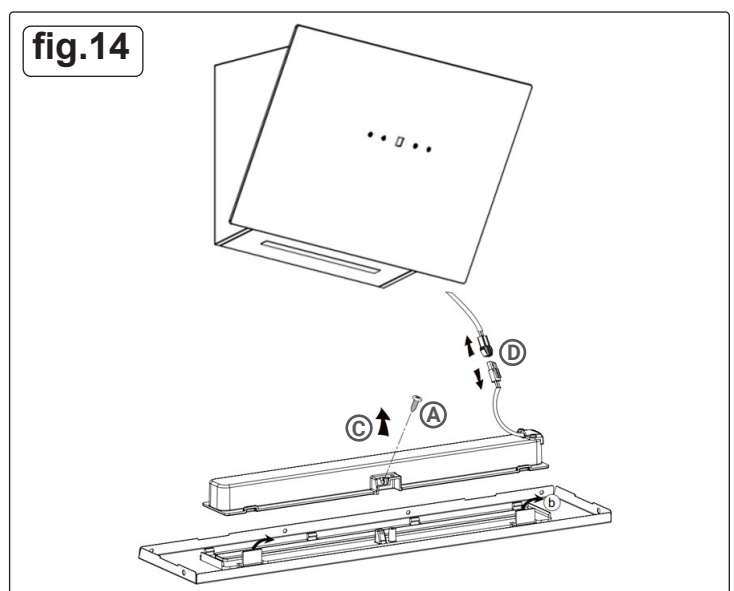


fig.14

- **END OF SERVICE**

- Through years of normal wear, the cooker hood will eventually become unserviceable. When this happens ensure that it is disposed of in accordance with local authority regulations.

- **ENVIRONMENTAL IMPACT OF THE COOKING PROCESS**

- When whole life cycles of food products are taken into account, food is estimated to emit up to 37% of global **GHG** emissions. Most studies estimate the climate change impact of food only up to the retail/purchase stages of the food supply chain, thus excluding consumption (here defined as food preparation and cooking). However, the preparation of meat and vegetables can contribute up to 20% and 36% of total product emissions, respectively, when recipe recommendations of major cooking methods are followed. Cooking food from scratch at home can result in lower overall **GHG** emissions than consuming ready-made meals. Previous studies have indicated that **GHG** emissions from home cooking can be reduced by minimizing cooking times and appliance use. Such a reduction can reach 86% in the case of pasta, and the equivalent of 18–55% less energy use in the case of roast beef and Yorkshire puddings. However, little is known about actual cooking practices for different foods in households. Previously recorded cooking practices adopted by university students could indicate how to reduce **GHG** emissions due to unsustainable cooking, but are not representative of general consumption patterns across the population.

- **RESTRICTED USE OF THE COOKER HOOD**

- Choose a cooker hood that is the correct size for your kitchen. A cooker hood that is too small will not be effective in removing cooking fumes and smells.
- Choose a cooker hood that has the right extraction rate. The extraction rate is measured in cubic metres per hour (m³/h). A cooker hood with a higher extraction rate will be more effective in removing cooking fumes and smells.
- Consider the type of ducting you want to use. There are two types of ducting for cooker hoods: flexible ducting and rigid ducting. Flexible ducting is easier to install, but it is not as effective as rigid ducting. Rigid ducting is more difficult to install, but it is more effective in removing cooking fumes and smells.
- Make sure that the cooker hood is installed in a well-ventilated area. This will help to prevent the build-up of cooking fumes and smells.
- By following these guidelines, you can ensure that your cooker hood is safe and effective.

Environment Protection and Waste Protection and Electrical Equipment Regulations (WEEE)

Recycle unwanted packaging materials. When this product is no longer required, or has reached the end of its useful life, please dispose of it in an environmentally friendly way. Drain any fluids (if applicable) into approved containers, in accordance with local waste regulations. Under the Waste Batteries and Accumulators Regulations 2009, Dellonda would like to inform the user that this product contains one or more batteries. It is our policy to continually improve products and we reserve the right to alter data, specifications and parts without prior notice. No liability is accepted for incorrect use of this product. Guarantee is 12 months from purchase date, proof of which is required for any claim.

Dellonda Limited

Kempson Way, Suffolk Business Park, Bury St Edmunds, Suffolk. IP32 7AR



01284 757575



support@dellonda.co.uk



www.dellonda.co.uk