



205L DRUM HYDRAULIC TRUCK & VAN LOADER

MODEL NO: **DH03.V2**

Thank you for purchasing a Sealey product. Manufactured to a high standard, this product will, if used according to these instructions, and properly maintained, give you years of trouble free performance.

IMPORTANT: PLEASE READ THESE INSTRUCTIONS CAREFULLY. NOTE THE SAFE OPERATIONAL REQUIREMENTS, WARNINGS & CAUTIONS. USE THE PRODUCT CORRECTLY AND WITH CARE FOR THE PURPOSE FOR WHICH IT IS INTENDED. FAILURE TO DO SO MAY CAUSE DAMAGE AND/OR PERSONAL INJURY AND WILL INVALIDATE THE WARRANTY. KEEP THESE INSTRUCTIONS SAFE FOR FUTURE USE.



Refer to instruction manual



Wear safety footwear



Warning crushing of hands



Wear protective gloves

1. SAFETY

1.1. GENERAL SAFETY

- ▲ **DANGER!** When assembling, it is recommended that it is by two people.
- ✓ Familiarise yourself with this products application and limitations, as well as the specific potential hazards peculiar to the drum loader.
- ✓ Maintain the drum loader in good condition including lubrication (use an authorised service agent for mechanical maintenance).
- ✓ Replace or repair damaged parts. *Use recommended parts only. Non authorised parts may be dangerous and will invalidate the warranty.*
- ✓ Keep the drum loader clean for best and safest performance.
- ✓ Operate the drum loader in a suitable working area for its function, level even concrete flooring (avoid tarmacadam), keep the area clean and tidy and ensure there is adequate lighting.
- ✓ Ensure the load is correctly secured before transporting.
- ✓ Keep hands and body clear of the rim grab mechanism when engaging the drum.
- ✓ Maintain correct balance and footing. Ensure the floor is not slippery and wear non-slip steel toe-capped shoes/boots.
- ✓ Keep children and unauthorised persons away from the working area.
- ✓ Use only the designed handle bars to push, pull and steer the drum loader.
- ✓ When not in use, release the pressure from the hydraulic unit and allow it to descend fully.
- ✗ **DO NOT** operate the drum loader if any parts are missing as this may cause failure and/or possible personal injury.
- ✗ **DO NOT** use to transport anything other than steel deep rimmed drums, capacity 205 litre.
- ✗ **DO NOT** exceed the maximum load or drum capacity.
- ✗ **DO NOT** make any modifications to the drum loader.
- ✗ **DO NOT** operate the drum loader when you are tired or under the influence of alcohol, drugs or intoxicating medication.
- ☐ **WARNING!** The warnings, cautions and instructions in this manual cannot cover all possible conditions and situations that may occur. It must be understood by the operator that common sense and caution are factors which cannot be built into this product, but must be applied by the operator.

2. INTRODUCTION

Ideal for loading and unloading barrel bunds, vans and general drum handling when forklift is not available. Suitable for 205L drums. Foot operated hydraulics, side handles and smooth-rolling wheels aid handling and manoeuvrability.

3. SPECIFICATION

Model No:.....DH03.V2
 Leg Height:..... 65mm
 Leg Length:..... 590mm
 Maximum Drum Height:..... 1610mm
 Overall Maximum Height:..... 1950mm
 Overall Minimum Height:..... 1710mm
 Width Inside Legs:..... 700mm
 Width:..... 800mm



Fulcrum Assembly (rim grab jaws)



fig.1

Foot Pump

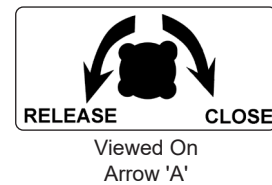
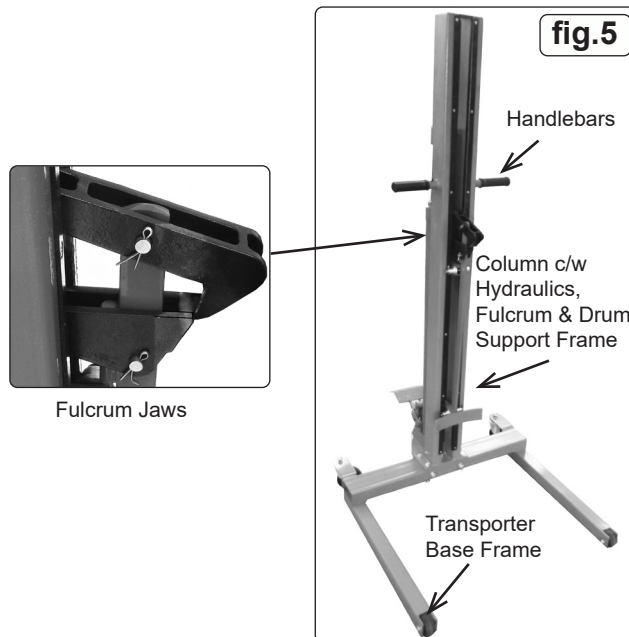
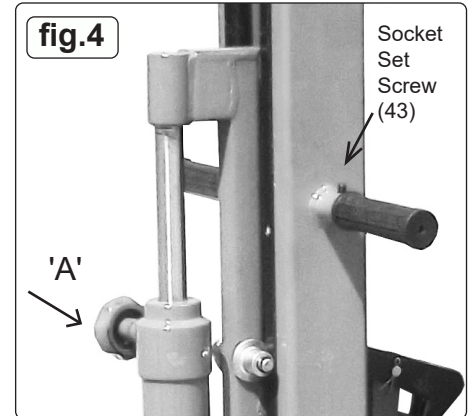
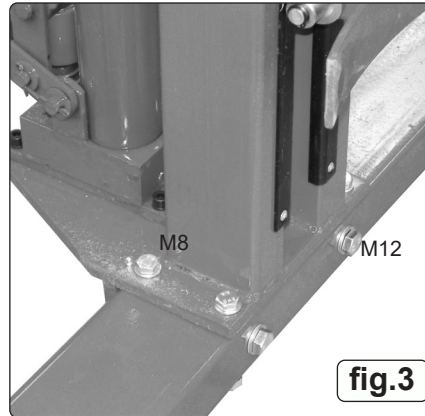
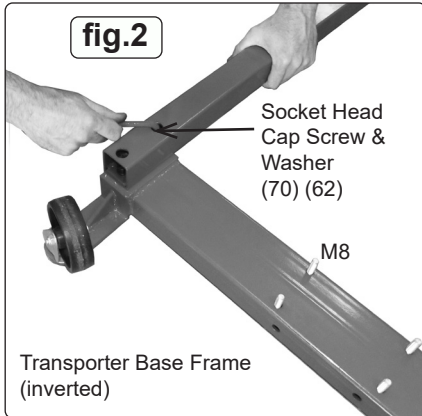
Support Frame

4. ASSEMBLY

4.1. FRAME ASSEMBLY

Note: The drum loader is supplied partially assembled requiring minimal assembly. The central vertical column complete with hydraulics and grab mechanics are pre assembled ready to install on to the base transporter frame.

- 4.1.1. Remove all components, frame members, fixings etc. from the packing case except for the central column (see 4.1.3.).
- 4.1.2. Fit the base frame legs (71) pre assembled with castors to the box section base frame (69) with the socket head cap screws and spring washers (70) and (62). Tighten fully and stand the assembled base transporter frame on its castors. See fig.2.
- 4.1.3. Lift the central column, to the vertical with gloved hands (two people). Lift either inside the packing case to avoid the column runners, which are smeared with grease or remove from the packing case.
- 4.1.4. Bolt the vertical column to the base frame (fig.3) with 4 sets of M8 fixings (60) (61) (61) (62) (63). Tighten fully.
- 4.1.5. Bolt the vertical column to the base frame with 2 sets of M12 fixings (64) (32) (32) (65) (66). Tighten fully.
- 4.1.6. Fit the two plastic gripped steel handles (52) (53) to the top of the column (fig.4) with the two socket set screws (43).
- 4.1.7. Close the valve at the top of the hydraulic cylinder (fig.4) and foot pump to test, open the valve to return.



5. OPERATION

5.1. LIFTING A DRUM

- 5.1.1. Close the valve (fig.4) fully clockwise. Foot pump to elevate the fulcrum assembly lower jaw marginally below the drum rim external lip (fig.1).
- 5.1.2. Move the drum loader to bring the support frame yoke into contact with the drum (fig.1). Engage the top jaw with the drum rim inside diameter; this may require lowering the jaws slightly to obtain the fullest register.
 - ❑ **Warning!** Ensure that the drum is as low as possible for transporting, elevating only if required at the destination. Ensure there are no obstacles enroute and the surface is suitable to take the weight of the fully laden drum.
- 5.1.3. Ensure that the drum rim is engaged with the fulcrum assembly jaws (fig.1). With both hands on the handle bars, foot pump to raise the drum clear of the ground.
- 5.1.4. Use the handle bars (fig.4) to push, pull and steer the drum loader.

5.2. LOWERING A DRUM

- 5.2.1. To lower the drum slowly, turn the release valve anticlockwise in a controlled manner until the drum is standing firmly on the ground.
- 5.2.2. Release the fulcrum assembly jaws by lifting the top jaw from the drum rim manually and pull the drum loader away from the drum.

6. MAINTENANCE

- 6.1. Regularly check the drum loader chassis for rigidity including the integrity of the castors.
- 6.2. Regularly check the fulcrum assembly for wear. Replace worn jaws which may cause poor rim grip.
- 6.3. Regularly check the linkages and pins for wear or missing retaining split pins which could cause lifting failure.
- 6.3.1. Keep the column guides lubricated with grease as supplied. **DO NOT** contaminate the steering handles with grease.



ENVIRONMENT PROTECTION

Recycle unwanted materials instead of disposing of them as waste. All tools, accessories and packaging should be sorted, taken to a recycling centre and disposed of in a manner which is compatible with the environment. When the product becomes completely unserviceable and requires disposal, drain any fluids (if applicable) into approved containers and dispose of the product and fluids according to local regulations.



REGISTER YOUR
PURCHASE HERE

Note: It is our policy to continually improve products and as such we reserve the right to alter data, specifications and component parts without prior notice. Please note that other versions of this product are available. If you require documentation for alternative versions, please email or call our technical team on technical@sealey.co.uk or 01284 757505.

Important: No Liability is accepted for incorrect use of this product.

Warranty: Guarantee is 12 months from purchase date, proof of which is required for any claim.

Sealey Group, Kempson Way, Suffolk Business Park, Bury St Edmunds, Suffolk. IP32 7AR

 01284 757500

 sales@sealey.co.uk

 www.sealey.co.uk