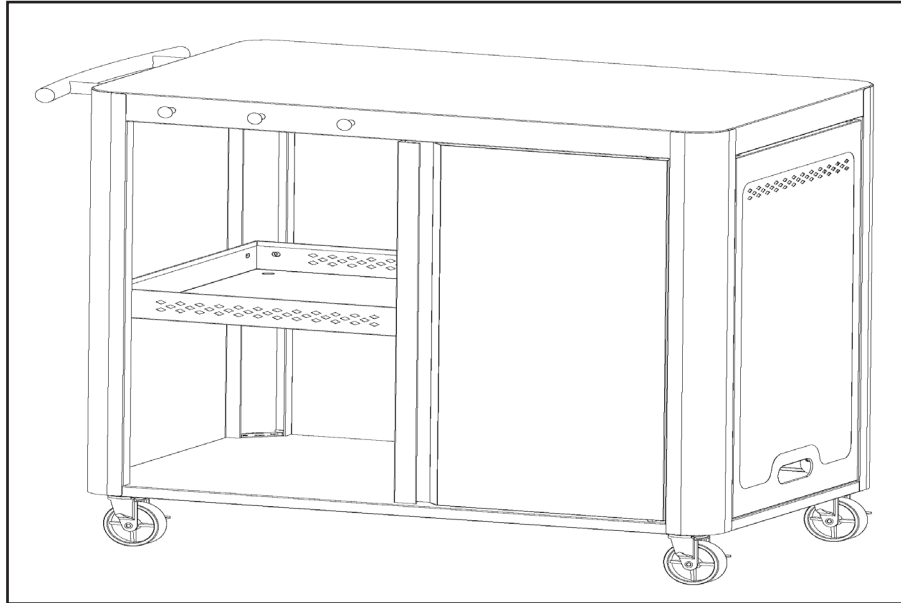




**Dellonda BBQ/Plancha Trolley with
Cupboard, Extension Table & Utensil Hooks
- Black**



Model No. DG282

Thank you for purchasing a Dellonda product. Manufactured to a high standard, this product will, if used according to these instructions, and properly maintained, give you years of trouble free performance.

Important Information

Please read these instructions carefully. Note the safe operational requirements, warnings & cautions. Use the product correctly and with care for the purpose for which it is intended. Failure to do so may cause damage and/or personal injury and will invalidate the warranty. Keep these instructions safe for future use.



Refer to
instruction
manual



Wear
gloves



Warning:
hot
surface

Specification

Product Dimensions (W x D x H): 950 x 500x x800mm

Dimensions with Side Table Hidden: 950 x 500 x 800mm

Dimensions with Side Table Standing: 1550 x 500 x 800mm


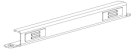
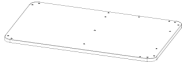





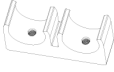












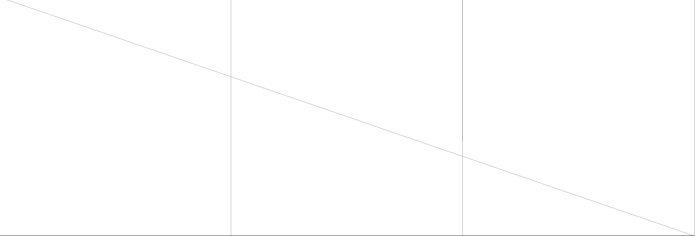












Main Tabletop Dimension: 850 x 500

Safety Instructions

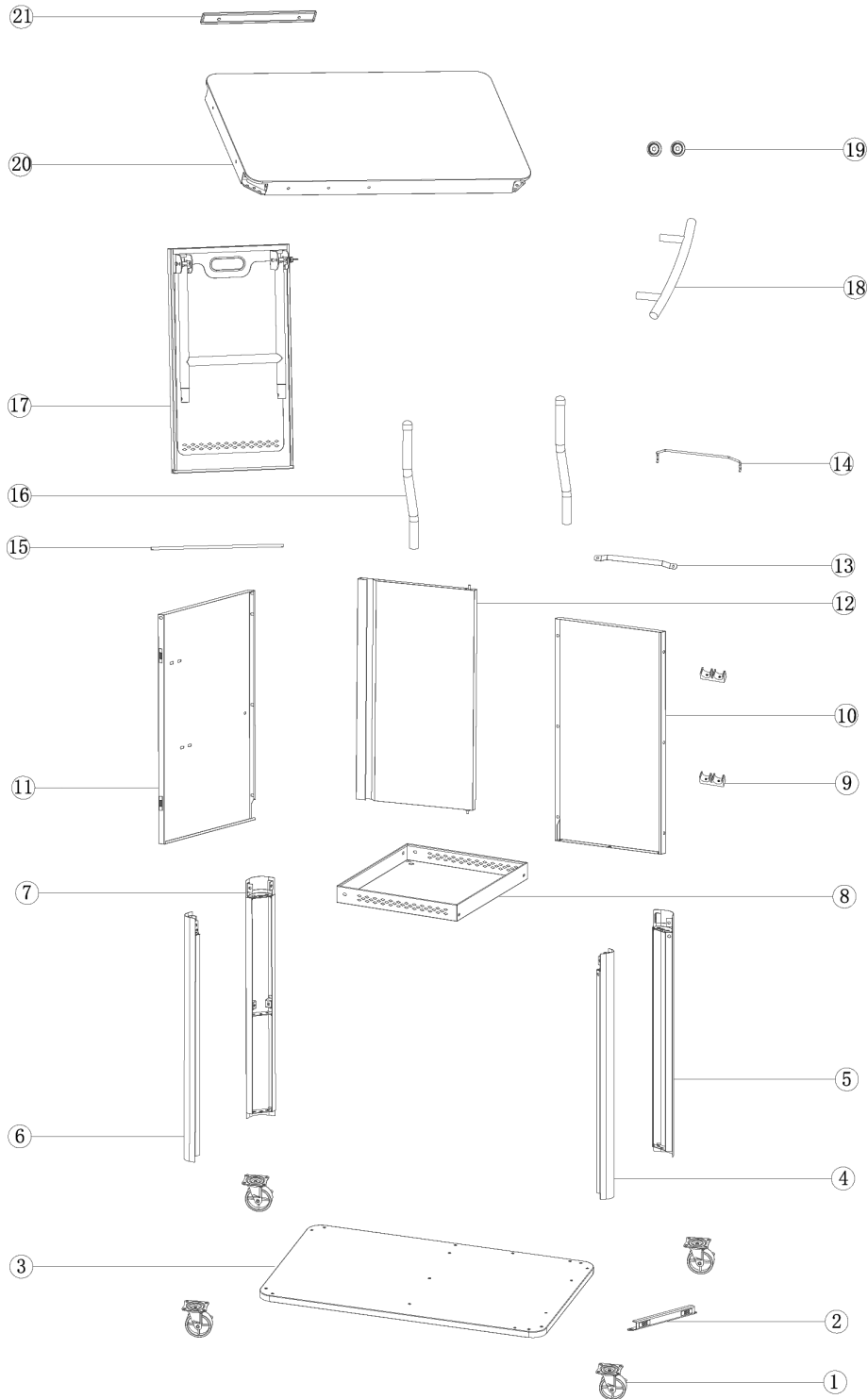
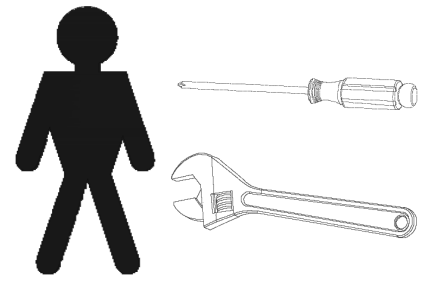
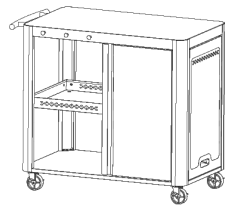
• GENERAL SAFETY

- **WARNING! The warnings, cautions and instructions in this manual cannot cover all possible conditions and situations that may occur. It must be understood by the operator that common sense and caution are factors which cannot be built into this product, but must be applied by the operator.**
- Check tightness of fixings periodically.
- Ensure BBQ/plancha is placed centrally.
- Only use on level ground.
- Risk assess area where trolley is to be used.
- Refer to Safety section of BBQ/plancha instructions for information on safe location and use of the trolley.
- **DO NOT** use BBQ/plancha with gas bottle on the shelf of the trolley.
- **DO NOT** move the trolley whilst the BBQ/plancha is lit.
- Keep children and pets away from the area.
- **WARNING!** Although we take every effort to ensure that the assembly process is as easy as possible, it is inherent with fabricated steel parts that corners and edges can cause cuts if improperly handled during assembly procedures. Be careful while handling any parts during assembly. It is strongly recommended that you protect hands with a pair of work gloves.

PARTS LIST


<p>① *4</p> 	<p>② *1</p> 	<p>③ *1</p> 	<p>④ *1 (RF)</p> 	<p>⑤ *1 (RB)</p> 	<p>⑥ *1 (LF)</p> 
<p>⑦ *1 (LB)</p> 	<p>⑧ *1</p> 	<p>⑨ *2</p> 	<p>⑩ *1</p> 	<p>⑪ *1</p> 	<p>⑫ *1</p> 
<p>⑬ *1</p> 	<p>⑭ *1</p> 	<p>⑮ *1</p> 	<p>⑯ *2</p> 	<p>⑰ *1</p> 	<p>⑱ *1</p> 
<p>⑲ *2</p> 	<p>⑳ *1</p> 	<p>㉑ *1</p> 			
<p>A M5*14 56PCS</p>  	<p>B 3PCS</p>  	<p>C M4*8 2PCS</p>  	<p>D M5*10 9PCS</p>  	<p>E M6*18 2PCS</p>  	<p>F 2PCS</p> 
<p>G 2PCS</p> 					

CONTENTS




ASSEMBLY

1



A  **16PCS**

2


A  **8PCS**

Fix leg RF/RB/LB onto bottom panel (3).
Attach leg LF by 2 x Bolt (A), leaving the bolts protruding by around 5mm. Do not tighten.

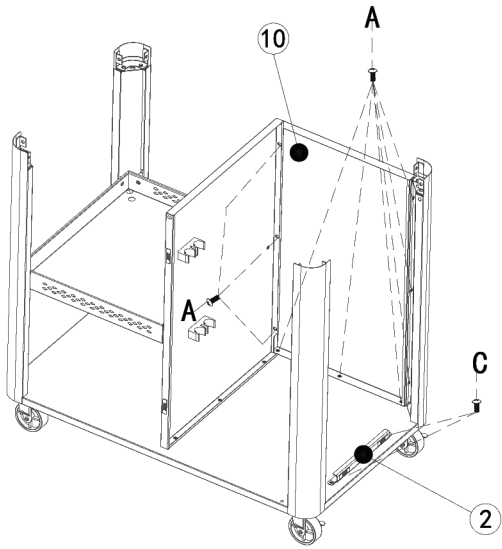
3

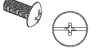
A  **3PCS** **D**  **4PCS**

4

A  **4PCS**

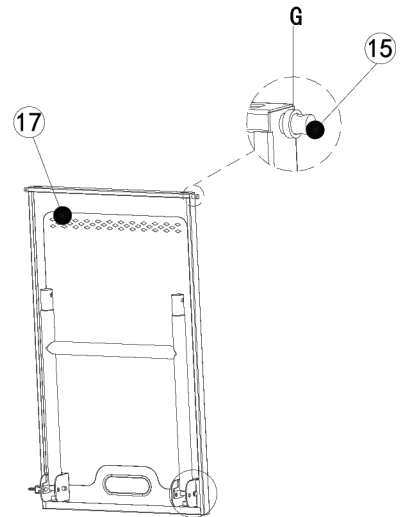
5



A  9PCS

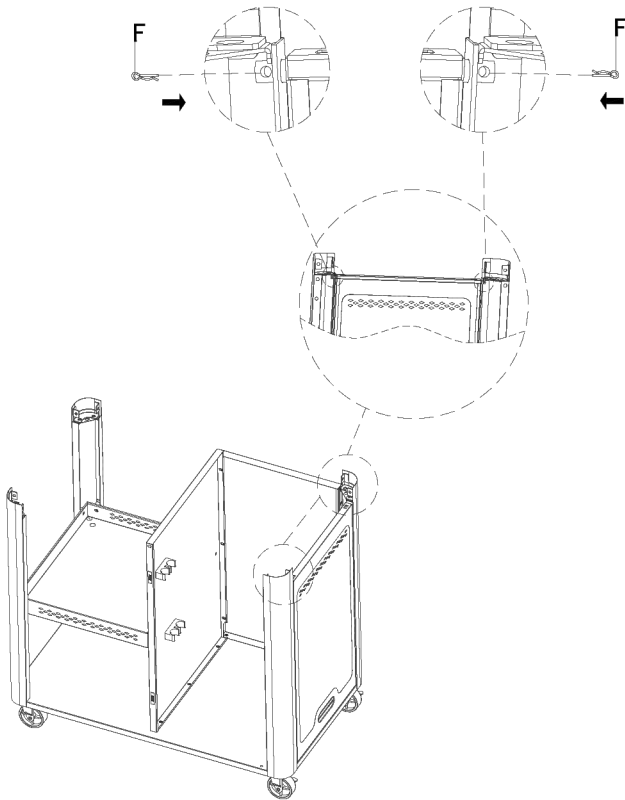
C  2PCS

6



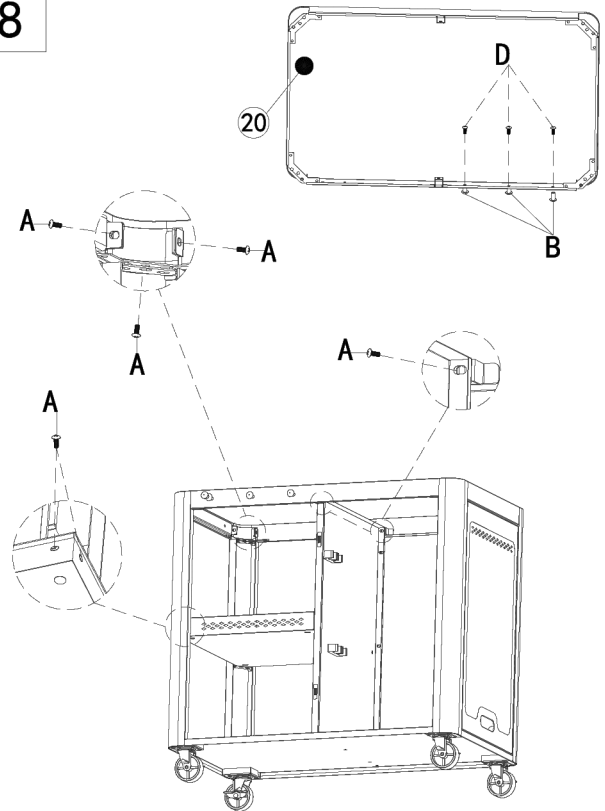
G  2PCS

7



F  2PCS

8

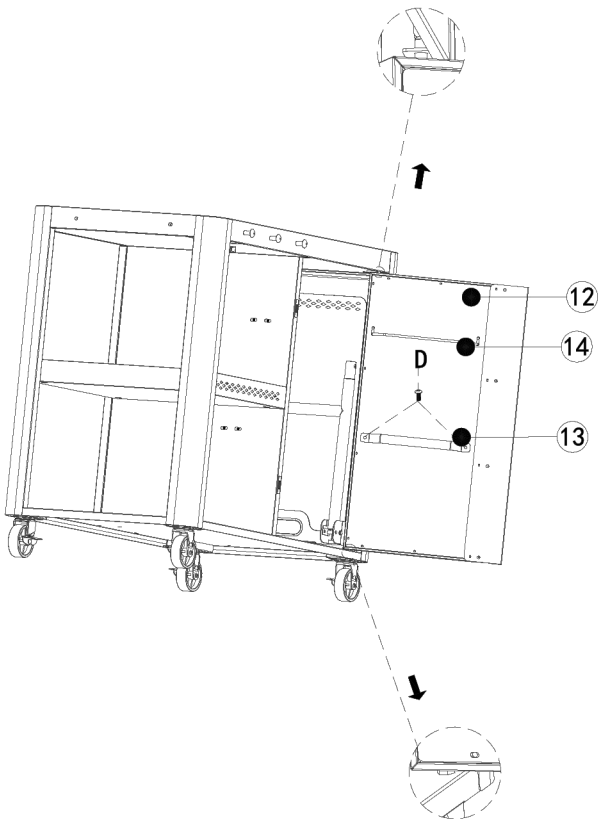


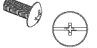
D  3PCS

A  16PCS

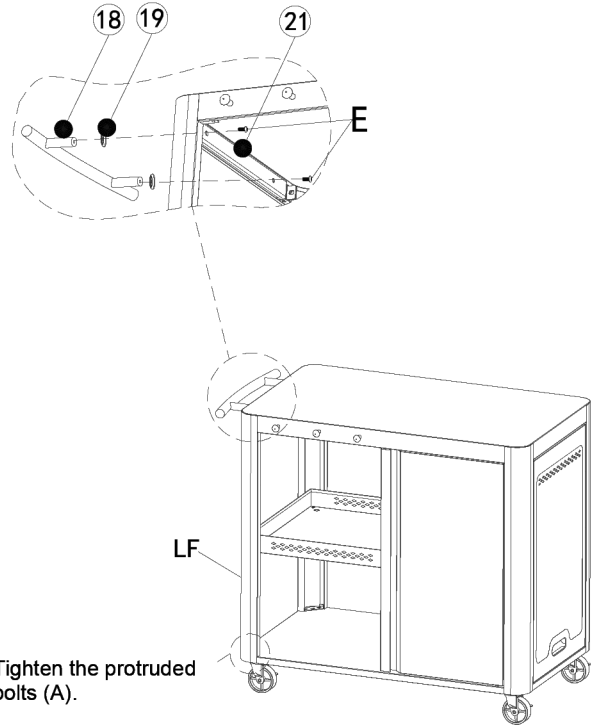
B  3PCS

9



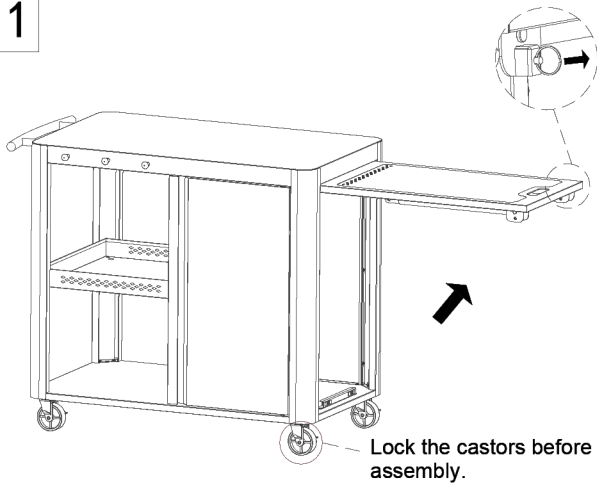
D  2PCS

10

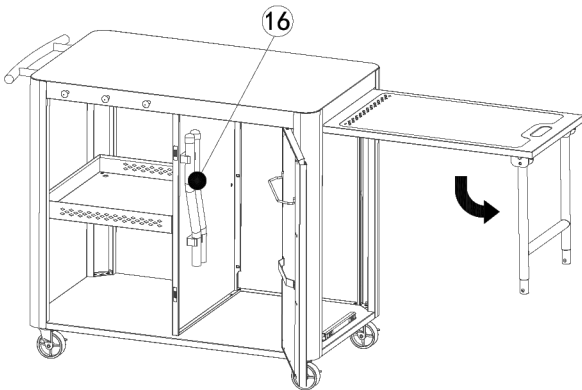


E  2PCS

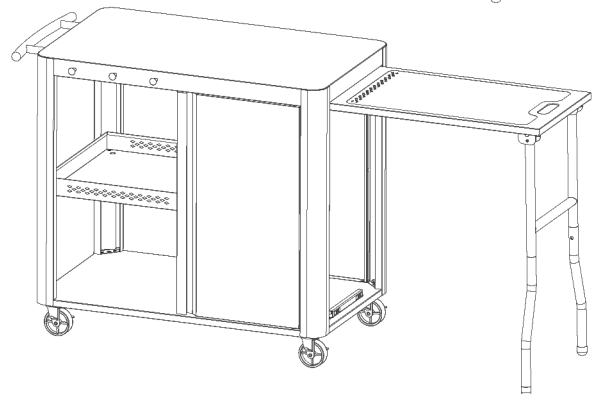
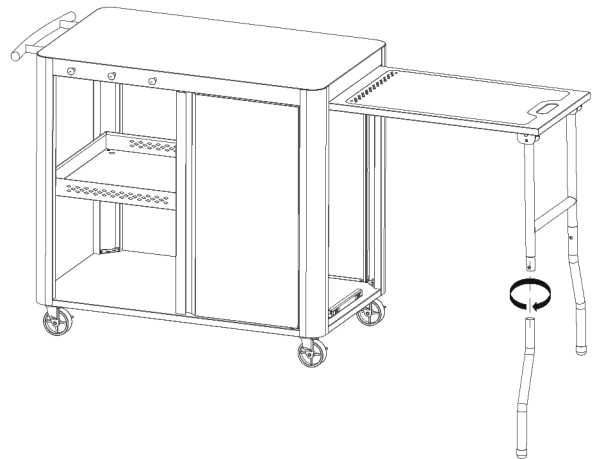
11



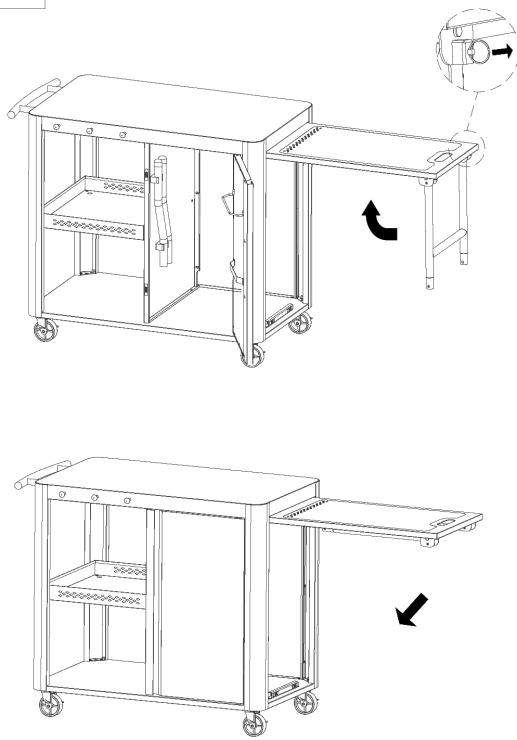
Lock the castors before assembly.



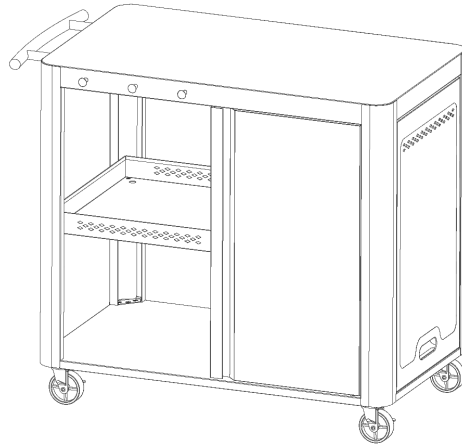
12



13



14



Environment Protection and Waste Protection and Electrical Equipment Regulations (WEEE)

Recycle unwanted packaging materials. When this product is no longer required, or has reached the end of its useful life, please dispose of it in an environmentally friendly way. Drain any fluids (if applicable) into approved containers, in accordance with local waste regulations. Under the Waste Batteries and Accumulators Regulations 2009, Dellonda would like to inform the user that this product contains one or more batteries. It is our policy to continually improve products and we reserve the right to alter data, specifications and parts without prior notice. No liability is accepted for incorrect use of this product. Guarantee is 12 months from purchase date, proof of which is required for any claim.

Dellonda Limited

Kempson Way, Suffolk Business Park, Bury St Edmunds, Suffolk. IP32 7AR

☎ 01284 757575 ✉ support@dellonda.co.uk 🌐 www.dellonda.co.uk