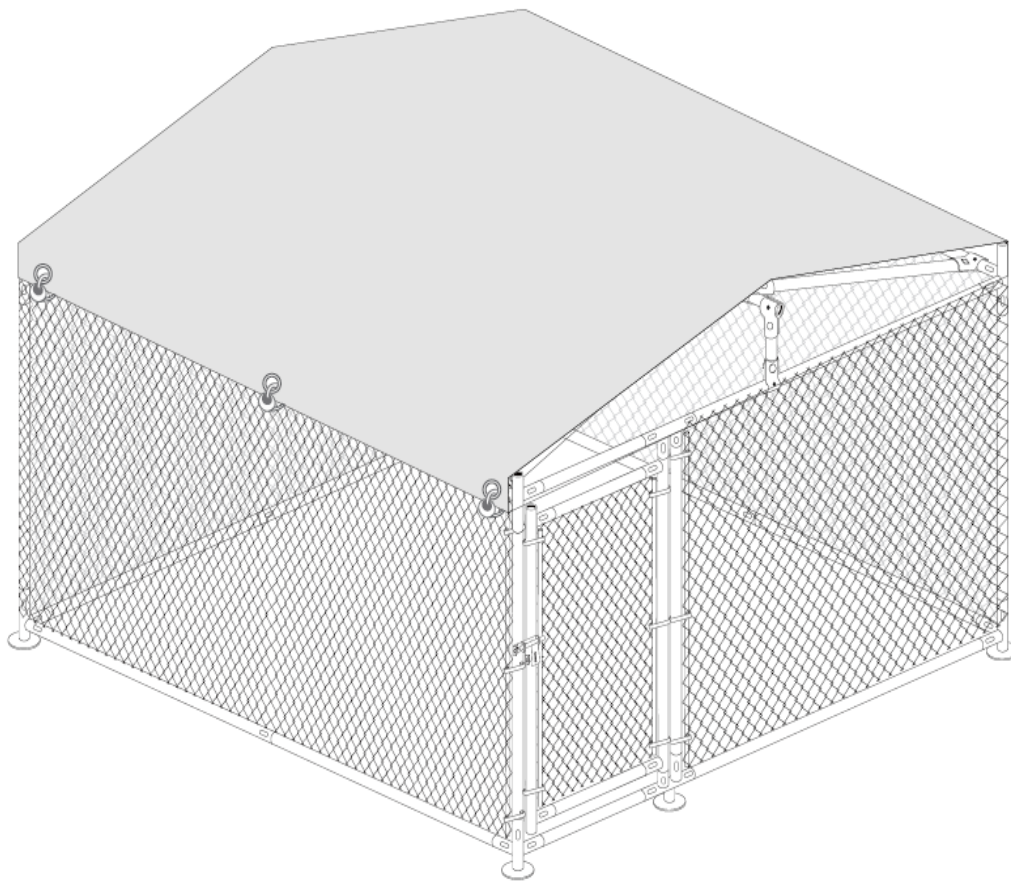




---

## 2 x 2 x 1.5m Galvanised Steel dog Kennel with Roof cover & Chain Link Fencing



### **Model No. DG281**

Thank you for purchasing a Dellonda product. Manufactured to a high standard, this product will, if used according to these instructions, and properly maintained, give you years of trouble free performance.

## Important Information

Please read these instructions carefully. Note the safe operational requirements, warnings & cautions. Use the product correctly and with care for the purpose for which it is intended. Failure to do so may cause damage and/or personal injury and will invalidate the warranty. Keep these instructions safe for future use.



Refer to  
instruction  
manual



Wear  
Gloves

### • Introduction


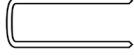

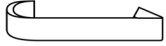
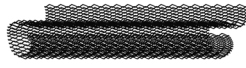
- Provides a safe enclosure for your pet with enough room for exercise or play. Heavy-duty frame is quick and easy to build with spring loaded buttons and the roof cover attaches securely with toggles. Supplied with weather proof **UV** resistant cover that protects pets from rain and provides shade. Manufactured from high quality rust resistant galvanised steel which makes the kennel suitable for all weather conditions. Lockable door with wide opening door makes feeding or cleaning the kennel easier by removing the risk of pets escaping. Steel chain link fencing ensures the kennel will remain secure. Perfect for dogs as well as a wide range of other pets and animals.

### • Specification

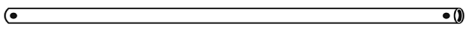
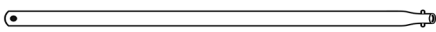
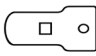

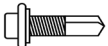


- Model No.: **DG281**
- Nett Weight: 34.5kg
- Product Dimensions (W x D x H): 2 x 2 x 1.5m

### • Contents

No.	Size(mm)	Picture	Qty
①	1265		2
②	970		6
③	1090		4
④	500		2
⑤	450		2
⑦	970		6
D1	1090		1
D2	1115		1
D3	1090		1
H	DOOR FENCE		1
I	1100		2
J	950		2
C			1
D			4
E			4
F			1

No.	Size(mm)	Picture	Qty
G	Pole Caps		7
K	Ground Anchor		5
M	Steel Zip Ties		/
N	Rod Clips		12
O	KENNEL FENCE		1

### PART LIST FOR ROOF

No.	Size(mm)	Picture	Qty
⑧	1010		4
⑨	340		2
⑩	1050		1
⑪	1050		1
P			24
Q			12
R			24
S	COVER		1
T			12

**NOTE:**

Place all parts from the packaging box in a cleared area and arrange them on the ground.

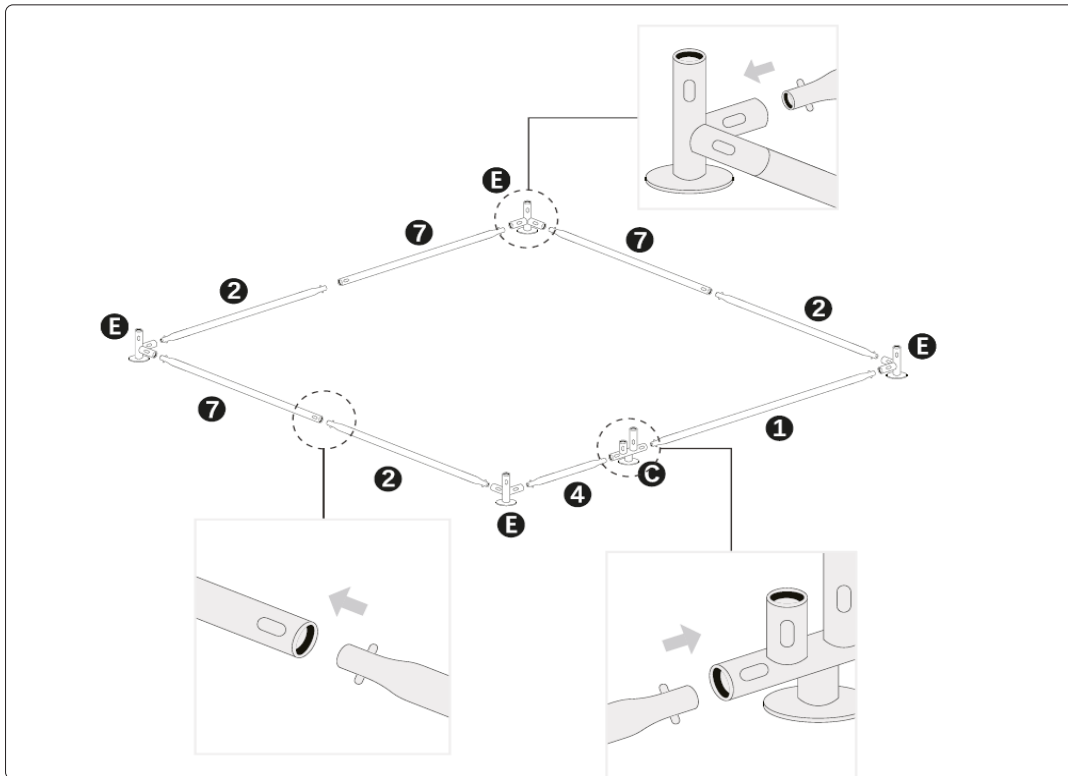
Remove all packaging materials and place them back in the box.

**DO NOT** dispose of the packaging materials until assembly is complete.

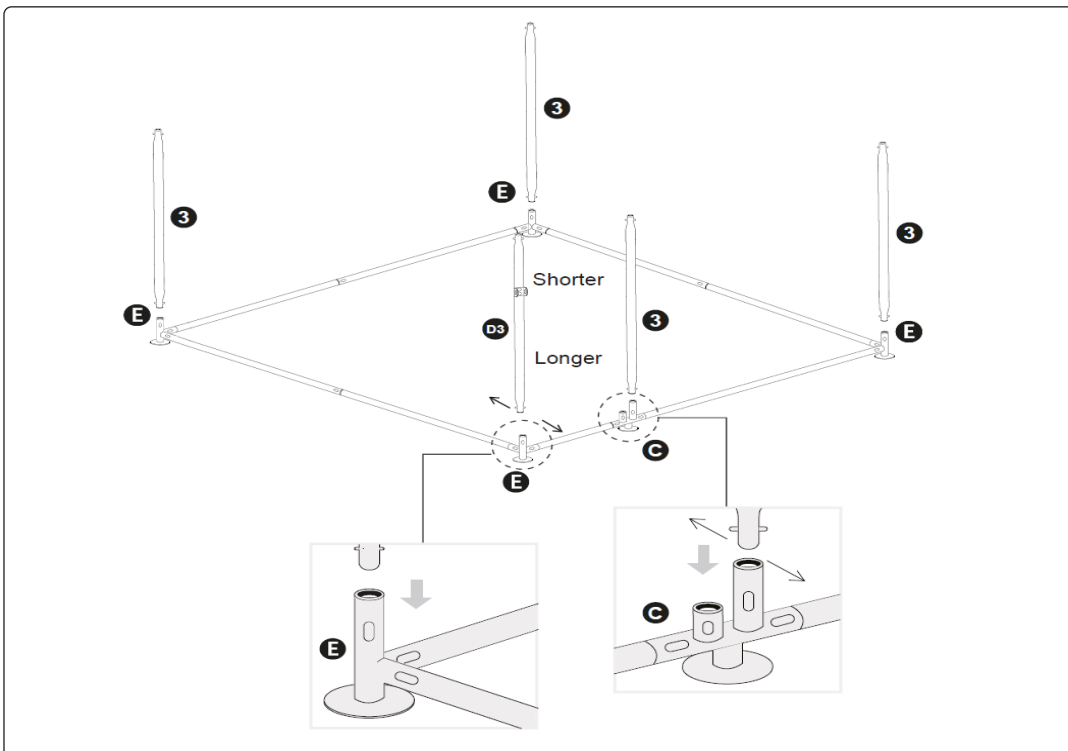
Check for completeness and transport damages.

**WARNING! DO NOT** place the product under trees from which hard fruit such as apples, walnuts or heavy pine cones, etc., may fall. The shed's cover only protects against normal leaves and light debris, whereas large branches or other falling items may puncture or tear the cover material.

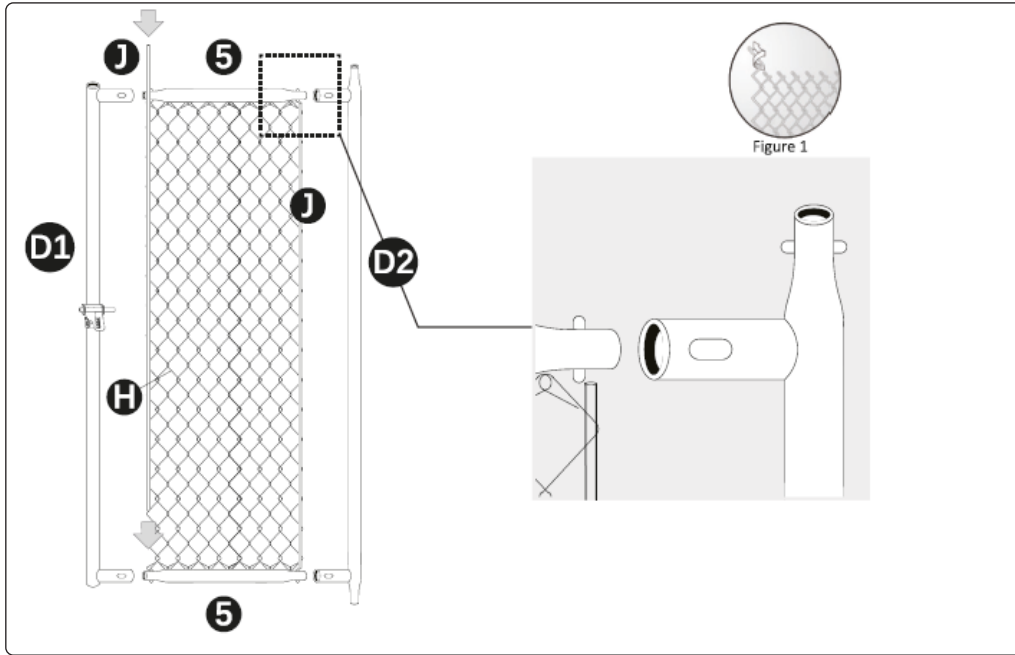
• Assembly



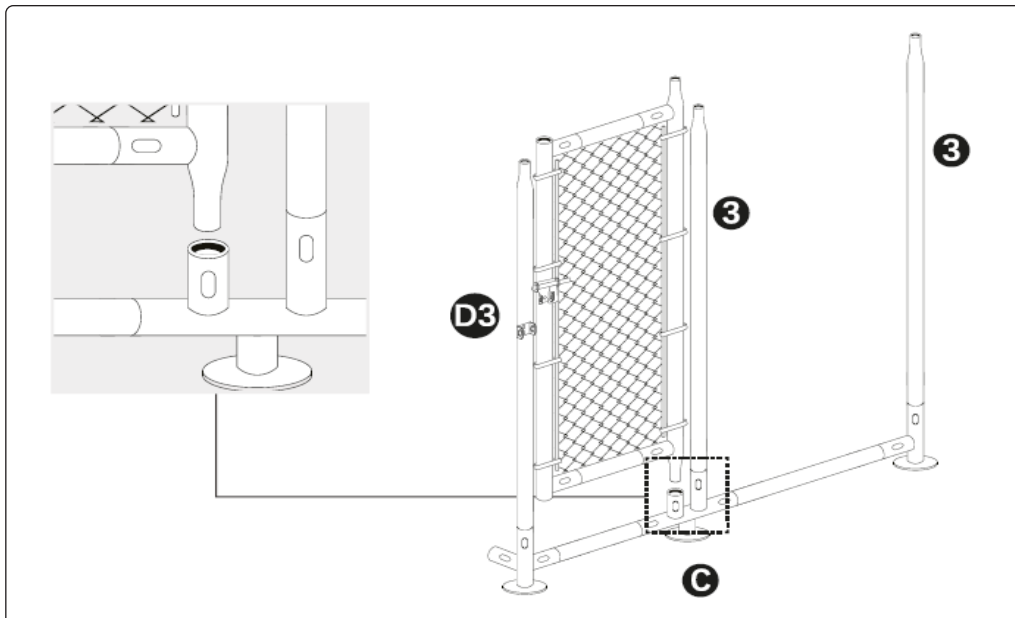
Base Frame Assembly

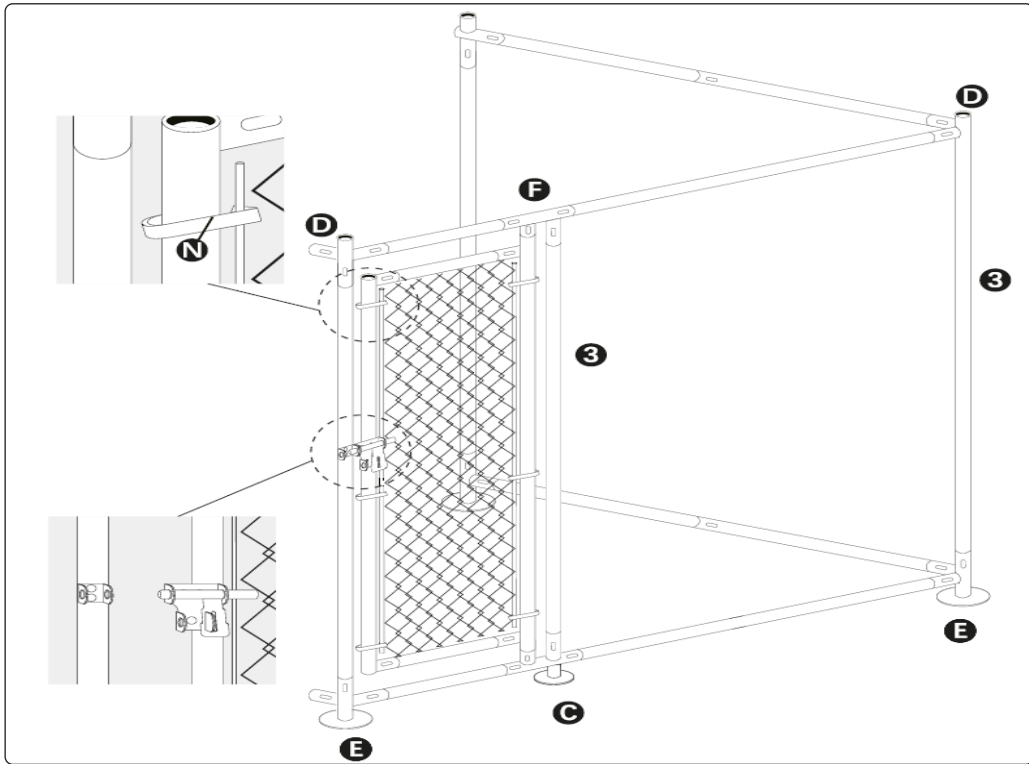


Install frame uprights

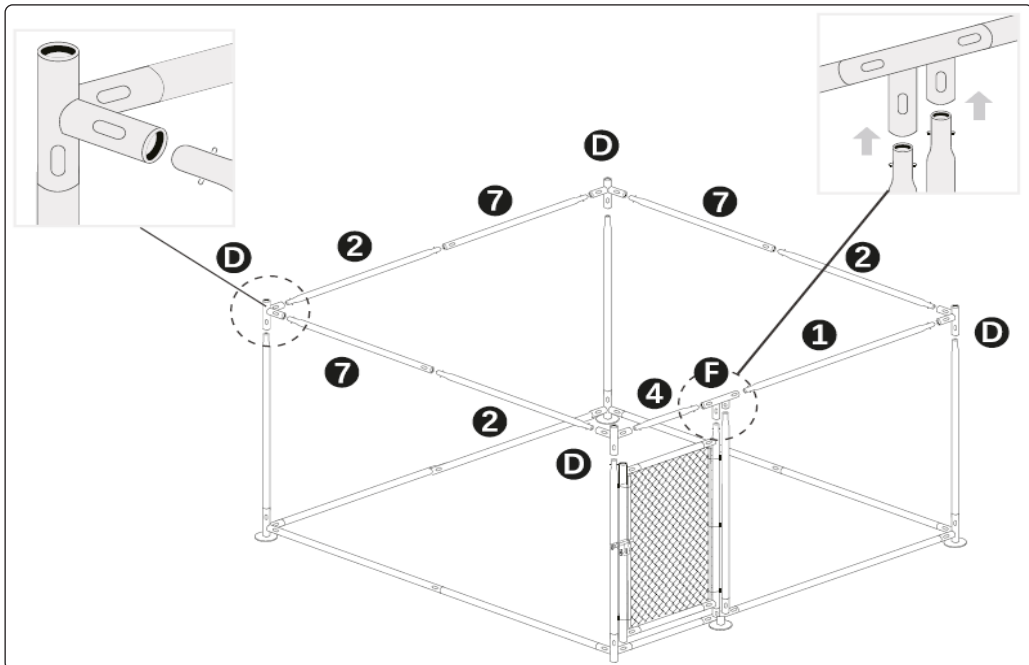


Assemble the kennel door section and insert the underside of D2 into the bottom frame part C when complete.  
**NOTE:** When assembling the dog kennel door, since the door fence (H) is pre-cut, in order to maintain a moderate tension, part of the door fence (H) can be removed as needed, and it can be removed by twisting upward (figure 1).

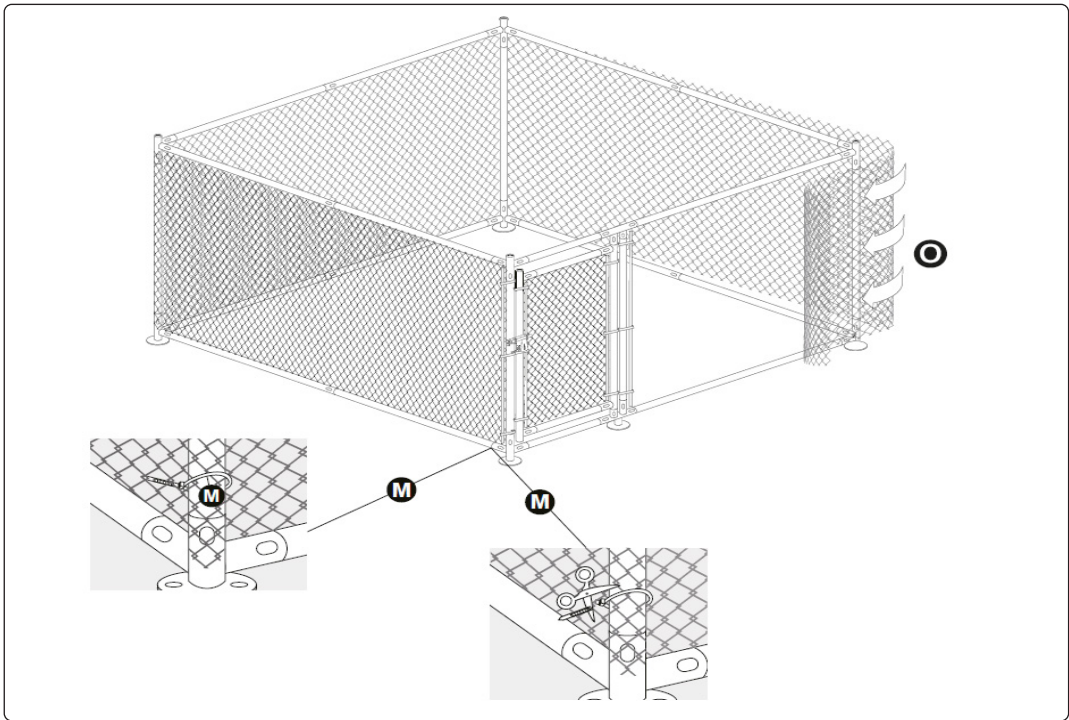




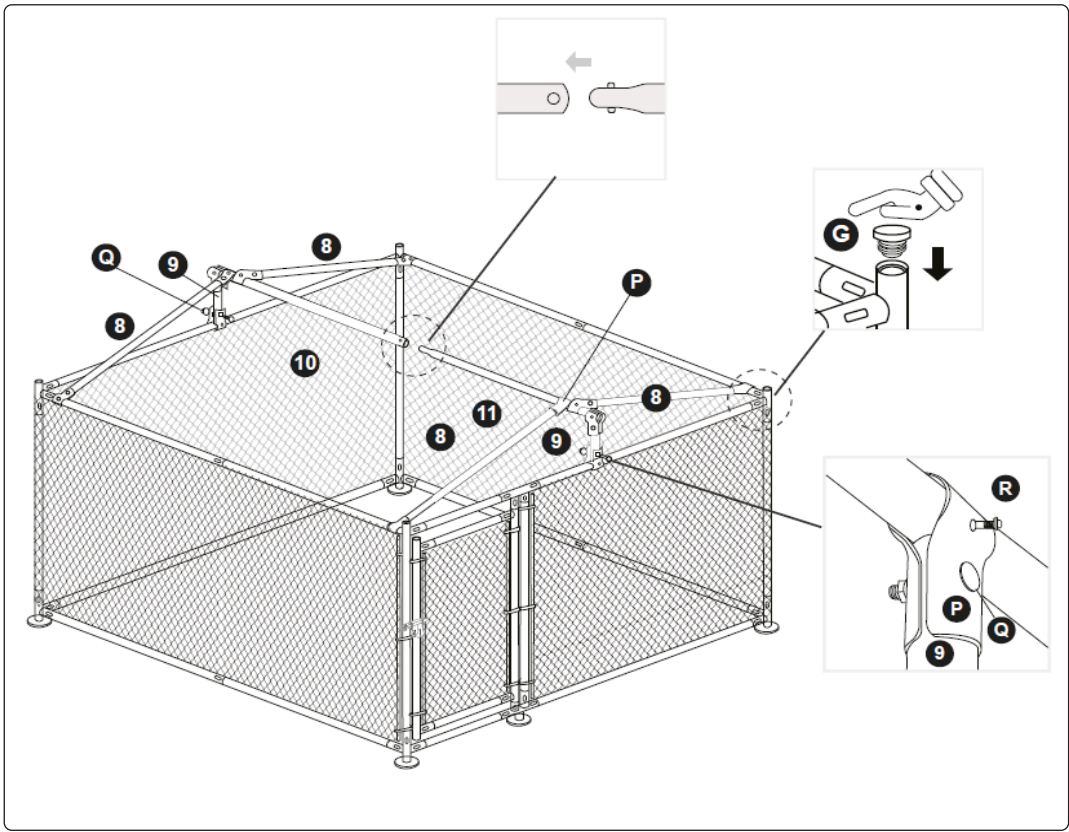
Secure the tie rods (J) to D1 and D2 using rod clips (N)clips



Continue installing the upper frame as shown

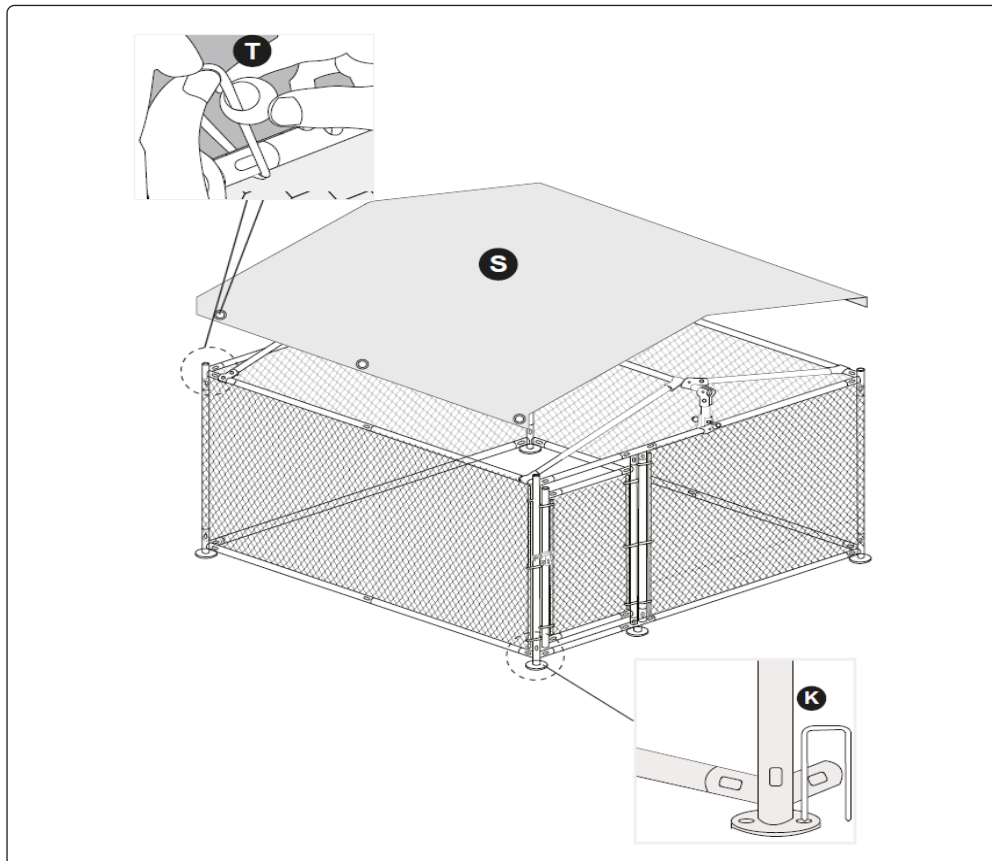


Put the fence (O) around the outside of the kennel frame. Tension the fence at each centre and corner and secure the kennel with zip ties (M).



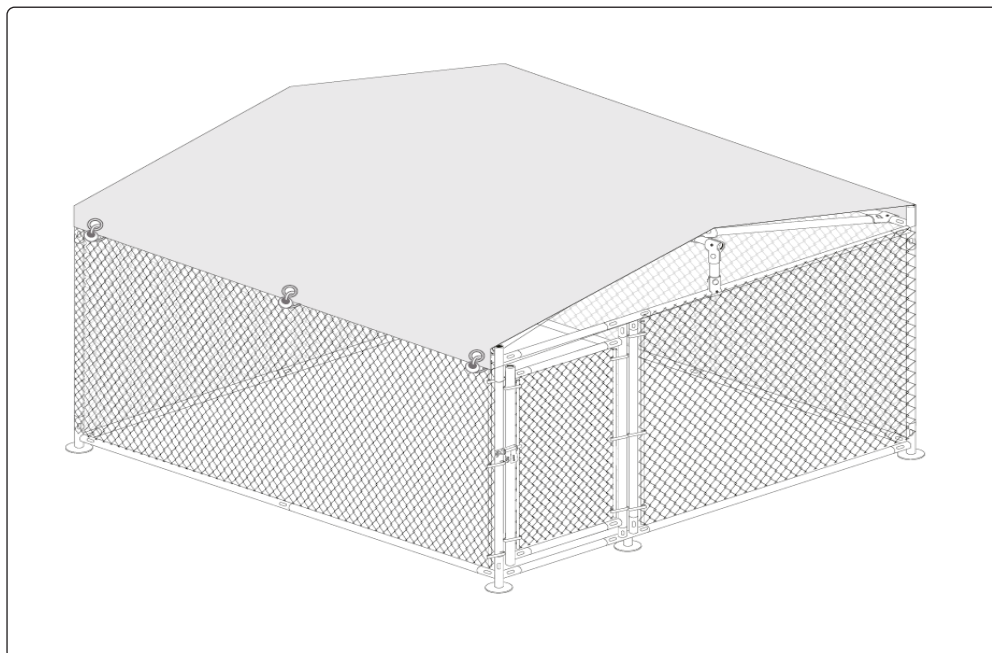
Install the top frame as shown, fix the top frame with screws (Q), and block the frame tube with the pole caps (G).





Spread the tarpaulin (G) across the top frame, pull taut and fix it with bungees (T) to side panel chicken wire.

Insert the ground anchors (K) via bottom frame into the ground to make the kennel more stable.



### Maintenance

- \* **DO NOT** use bleach, alkaline or harsh detergents for cleaning. Doing so will damage the polyethylene material. Soap and warm water are recommended.



### Environment Protection and Waste Protection and Electrical Equipment Regulations (WEEE)

Recycle unwanted packaging materials. When this product is no longer required, or has reached the end of its useful life, please dispose of it in an environmentally friendly way. Drain any fluids (if applicable) into approved containers, in accordance with local waste regulations. It is our policy to continually improve products and we reserve the right to alter data, specifications and parts without prior notice. No liability is accepted for incorrect use of this product. Guarantee is 12 months from purchase date, proof of which is required for any claim.



## Dellonda Limited

Kempson Way, Suffolk Business Park, Bury St Edmunds, Suffolk. IP32 7AR

☎ 01284 757575

✉ support@dellonda.co.uk

🌐 www.dellonda.co.uk