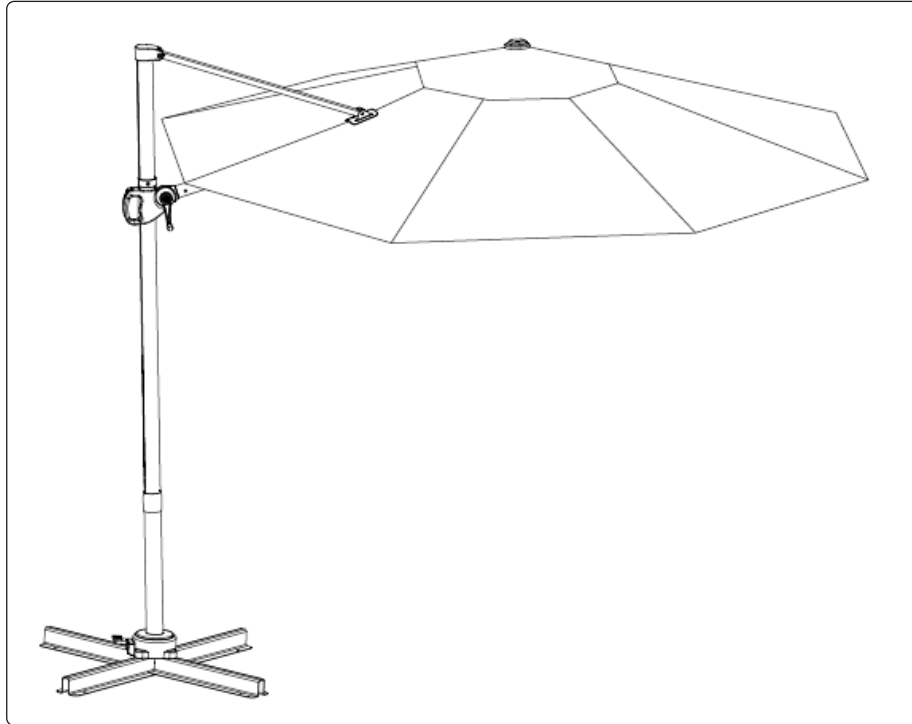




Ø3m Cantilever Parasol with 360° Rotation, Tilt and Cover



Model No's. DG267 DG268

Thank you for purchasing a Dellonda product. Manufactured to a high standard, this product will, if used according to these instructions, and properly maintained, give you years of trouble free performance.

Important Information

Please read these instructions carefully. Note the safe operational requirements, warnings & cautions. Use the product correctly and with care for the purpose for which it is intended. Failure to do so may cause damage and/or personal injury and will invalidate the warranty. Keep these instructions safe for future use.



Refer to
instruction
manual

Specification

Model No's: DG267 / DG268

Canopy Width: Ø3m

Material: Canopy: DG267 - 220g/m² / DG268 - 180g/m² polyester, Pole: Aluminium

Pole Diameter: Ø58mm

Type: Cantilever Parasol

About the Product

Ø3m Diameter provides full shade for all garden, patio and other outdoor settings. Crank handle makes operation of this cantilever parasol seamless and effortless. Parasol pole has a diameter of 58mm and is manufactured from durable aluminium. Canopy is supported by 8 strong steel ribs ensuring stability and shape at all times. Parasol base is available separately under Dellonda Model No. DG269.

Safety Instructions

• GENERAL SAFETY

• **WARNING!** The warnings, cautions and instructions in this manual cannot cover all possible conditions and situations that may occur. It must be understood by the operator that common sense and caution are factors which cannot be built into this product, but must be applied by the end user.

Offset patio umbrellas are designed to provide protection from the sun NOT the wind.

• NEVER open or operate this umbrella in wind conditions greater than 5mph (8kph).

• NEVER use the tilt function in any wind (even a light breeze).

• NEVER use excessive force on the crank handle to open or close the umbrella.

• ALWAYS close and secure the umbrella when not in use or during any strong wind event, especially gusting wind and rain.

• ALWAYS close the umbrella when unattended or not in use. If you are not sitting under it, the umbrella should be closed.




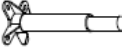




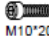


• Base weights are required (additional purchase) to secure this umbrella. NEVER open or operate the umbrella without first placing base weights in each open section of the cross base. It is important to use a correctly weighted base; more weight is always better than less weight.

• This model requires a MINIMUM base weight of 192lb (88kg).
FAILURE TO CAREFULLY OBSERVE THESE SAFETY WARNINGS CAN RESULT IN CATASTROPHIC DAMAGE TO YOUR UMBRELLA, POTENTIAL PERSONAL INJURY AND OR PROPERTY DAMAGE.

• IMPORTANT INFORMATION

If the umbrella is showing ANY signs of stress, or IF the umbrella begins to move around excessively even when properly weighted it indicates the wind is too strong and the umbrella must be closed and secured immediately.

Contents

| Item | Part | Qty | Part Description |
|------|-----------------------------------------------------------------------------------------------|-----|-----------------------|
| A |  | 1 | Lower Cross Base |
| B |  | 1 | Upper Cross Base |
| C |  | 1 | Rotate Bearing |
| D |  | 1 | Central Spigot |
| E |  | 1 | Rotate Bearing Cover |
| F |  | 1 | Connector Sleeve |
| G |  | 1 | Main Frame and Canopy |
| H |  M10*25 | 6 | Bolt M10*25mm |
| I |  M10*20 | 4 | Bolt M10*20mm |
| J |  M10 | 8 | Washer M10 |
| K |  M10 | 1 | Hex Wrench M10 |

NOTE:

Also includes: Item L
Part: Not shown
Qty: 1
Part Description:
Parasol cover

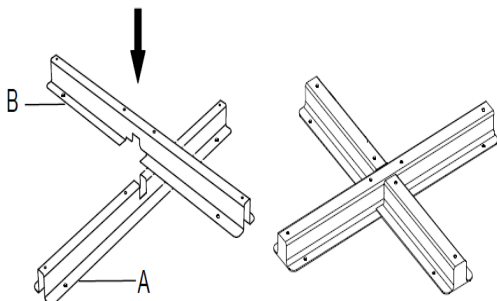
Preparation

- Check you have all the listed parts before you start assembly.
- Assemble on a soft surface such as a drop sheet or rug to avoid scratching.
- In the event of missing or damaged parts, contact Dellonda.

Assembly

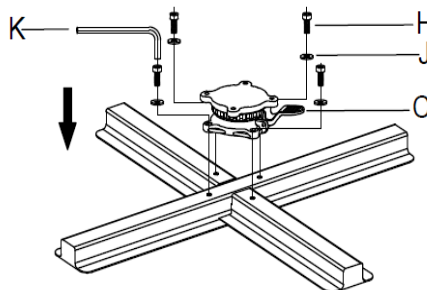
Step 1

Place the upper cross base (B) over the lower cross base (A).



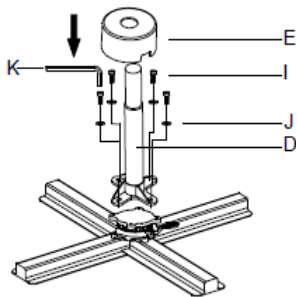
Step 2

Using the M10 hex wrench to fix the rotate bearing to the assembled cross base with 25mm M10 hex bolts and M10 washers. Tighten firmly.



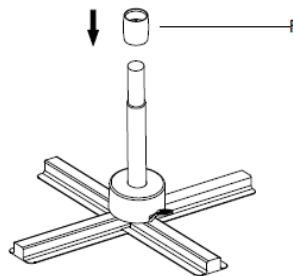
Step 3

Using the M10 hex wrench fix the central spigot to the rotate bearing with 20mm M10 hex bolts and M10 washers. Tighten firmly. Place the plastic rotate bearing cover over the rotate bearing.



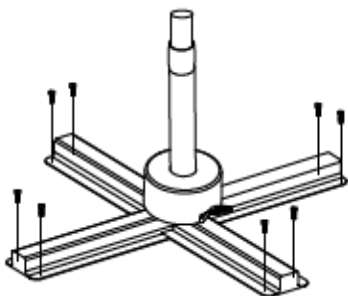
Step 4

Attach the connector sleeve to the central spigot.



Step 5

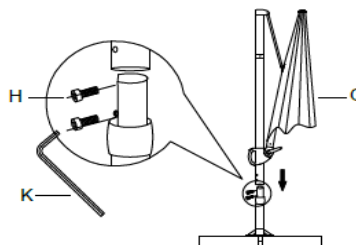
Place the assembled cross base in your preferred location



Step 6

Attach the main frame and canopy to the central spigot and fix using 25mm M10 hex bolts. Tighten firmly using the M10 hex wrench.

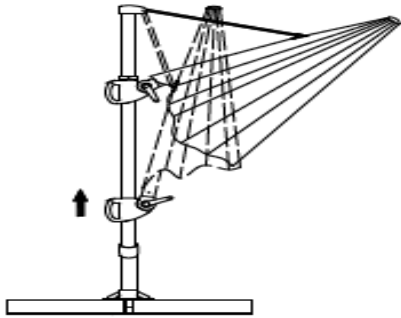
NOTE: The central spigot is designed with a reverse angle to ensure the canopy sits level once assembled. It is very important to correctly locate the crank winder directly above the tension screws as shown.



Operation

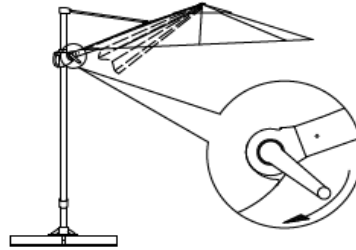
Step 1

Squeeze the trigger to unlock then slide the handle upwards until it is fully extended and stops.



Step 2

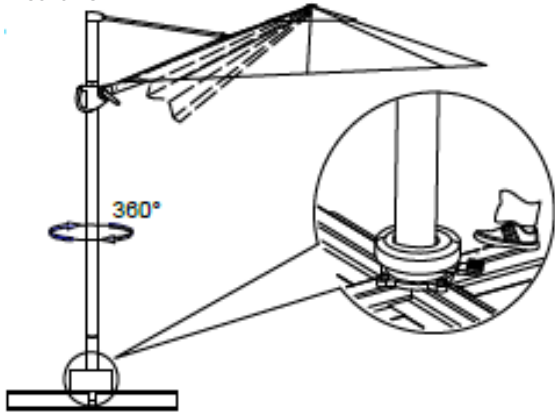
To open the umbrella canopy turn the crank handle gently in a clockwise direction. Once the umbrella is fully open you can tilt the canopy angle by squeezing the trigger and releasing the button to set the canopy in the desired position. The tilt option should only be used on days with NO WIND, use of the tilt function even in a light breeze may damage the umbrella and is not recommended.



Step 3

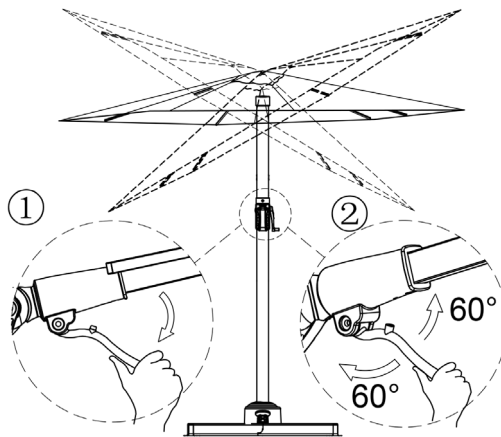
The umbrella can be rotated 360 degrees by pressing down the locking mechanism (as shown). To fix the umbrella at a desired position, simply release the foot lock.

NOTE: Periodically, you must use a lubricant on the rotate bearing to prevent the loss of function of the locking mechanism.



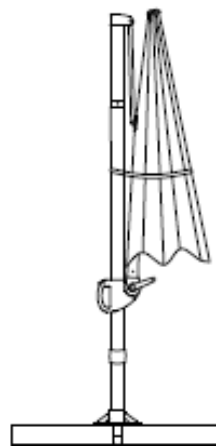
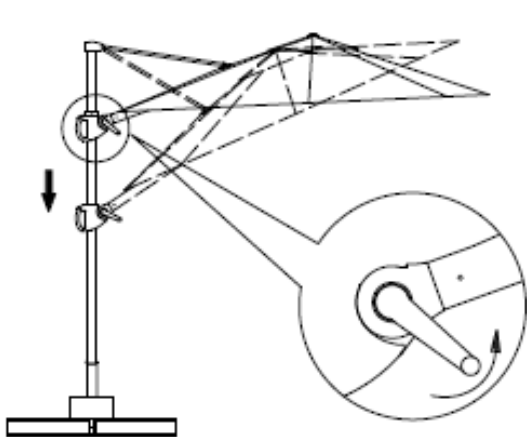
Step 4

To tilt the parasol, release the crank lever above the crank handle, tilt the parasol as desired and return lever to original position to secure.



Step 5

To close the umbrella, first bring the canopy back to a horizontal position, then gently turn the crank handle in counter-clockwise direction until the canopy is fully closed. Squeeze the trigger to unlock then slide the handle downwards until it is fully closed and stops. Secure the canopy to the pole using suitable strapping.



Care and maintenance

To help extend the life of the polyester fabric and reduce the effects of fading we strongly advise using a protective storage cover whenever the umbrella is not being used.

During extended periods of bad weather (especially through winter months) your umbrella should be stored inside in a dry place.

The polyester fabric has been treated to make it dirt and shower resistant (not waterproof), if your umbrella gets wet please allow it to fully dry before storing it away. The fabric can be cleaned with a soft brush then use a damp cloth and mild detergent to remove stubborn stains.

Environment Protection and Waste Protection and Electrical Equipment Regulations (WEEE)

Recycle unwanted packaging materials. When this product is no longer required, or has reached the end of its useful life, please dispose of it in an environmentally friendly way. Drain any fluids (if applicable) into approved containers, in accordance with local waste regulations. Under the Waste Batteries and Accumulators Regulations 2009, Dellonda would like to inform the user that this product contains one or more batteries. It is our policy to continually improve products and we reserve the right to alter data, specifications and parts without prior notice. No liability is accepted for incorrect use of this product. Guarantee is 12 months from purchase date, proof of which is required for any claim.

Dellonda Limited

Kempson Way, Suffolk Business Park, Bury St Edmunds, Suffolk. IP32 7AR



01284 757575



support@dellonda.co.uk



www.dellonda.co.uk