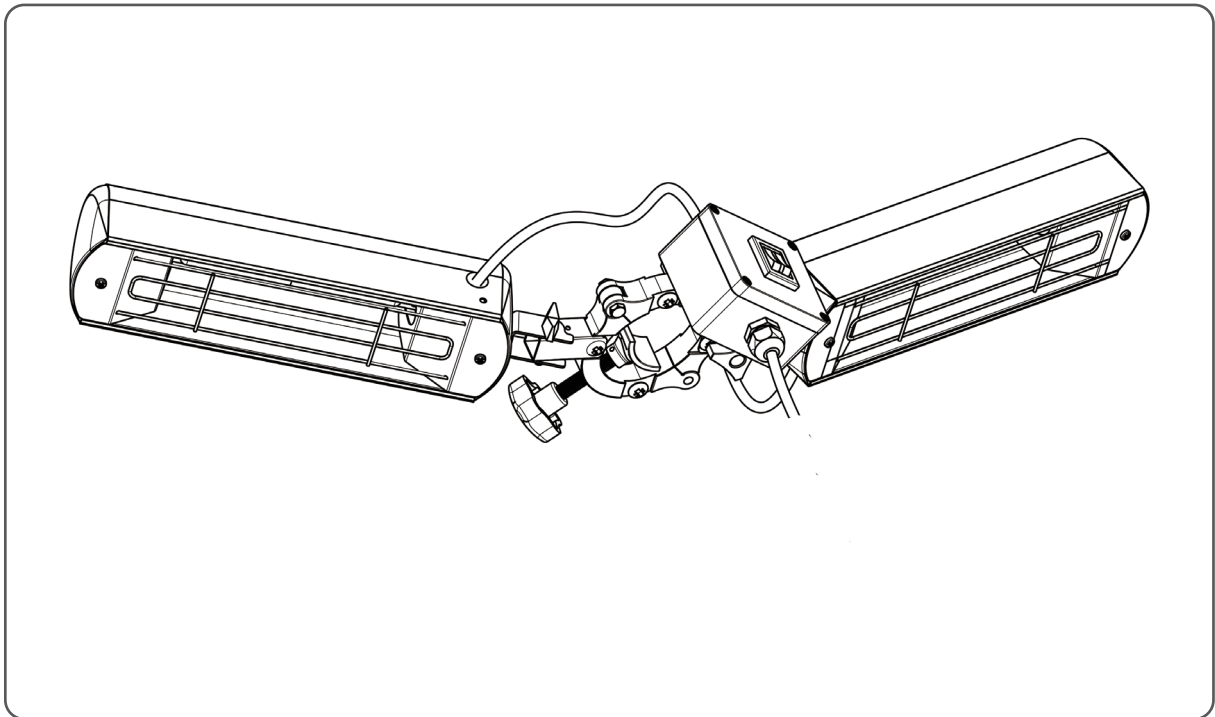




Dellonda Folding Parasol/Gazebo/Patio Outdoor Infrared Heater, Two Panels, 230V



Model No. DG176

Thank you for purchasing a Dellonda product. Manufactured to a high standard, this product will, if used according to these instructions, and properly maintained, give you years of trouble free performance.

Important Information

Please read these instructions carefully. Note the safe operational requirements, warnings & cautions. Use the product correctly and with care for the purpose for which it is intended. Failure to do so may cause damage and/or personal injury and will invalidate the warranty. Keep these instructions safe for future use.



Refer to
instruction
manual



Electrical shock
hazard



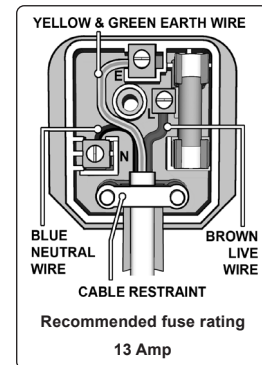
Hot surfaces



DO NOT cover

Electrical Safety

- **WARNING!** It is the responsibility of the owner and the operator to read, understand and comply with the following:
- You must check all electrical products, before use, to ensure that they are safe. You must inspect power cables, plugs, sockets and any other connectors for wear or damage. You must ensure that the risk of electric shock is minimised by the installation of appropriate safety devices. A Residual Current Circuit Breaker (**RCCB**) should be incorporated in the main distribution board. You must also read and understand the following instructions concerning electrical safety.
- Ensure that cables are always protected against short circuit and overload.
- Regularly inspect power supply cables and plugs for wear or damage and check all connections to ensure that none are loose.
- **IMPORTANT:** Ensure that the voltage marked on the appliance matches the power supply to be used and that the plug is fitted with the correct fuse - see fuse rating at right.
- **DO NOT** use worn or damaged cables, plugs or connectors. Have any faulty item repaired or replaced immediately by a competent electrician.
- This product is fitted with a **BS1363/A** 13 Amp 3 pin plug. If the cable or plug is damaged during use, switch off the electricity supply and remove from use.
- Replace a damaged plug with a **BS1363/A** 13 amp 3 pin plug.
- If in doubt contact a qualified electrician.
- Ensure that the cable outer sheath extends inside the cable restraint and that the restraint is tight.
- Dellonda recommend that repairs are carried out by a qualified electrician.
- Fit a new plug according to the following instructions (**UK** only).
 - a) Connect the **GREEN/YELLOW** earth wire to the earth terminal 'E'.
 - b) Connect the **BROWN** live wire to the live terminal 'L'.
 - c) Connect the **BLUE** neutral wire to the neutral terminal 'N'.



General Safety

- **WARNING!** This product is for outdoor use only.
- **WARNING!** Ensure the heater is disconnected from the mains supply before performing any cleaning or maintenance.
- **WARNING!** Ensure the heater is at least 1m from any object, 500mm from the ceiling and 1800mm from floor level.
- **WARNING!** This heater is not equipped with a device to control the room temperature. **Do not** use this heater in small spaces when they are occupied by persons not capable of leaving the area on their own, unless constant supervision is provided.
- **WARNING!** If a fuse blows, ensure it is replaced with an identical fuse type and rating.
- **WARNING!** Never touch the element directly with fingers. Use a soft cloth, otherwise the tube may get damaged.
- **WARNING!** In order to avoid overheating, do not cover the heater.
- Familiarise yourself with the applications and limitations of the heater.
- Ensure the heater is in good condition before use. If in any doubt do not use the unit and contact your supplier.
- Only use recommended attachments and parts. Using unauthorised parts may be dangerous and will invalidate your warranty.
- Check that element guards are in place, undamaged and firmly attached.
- Keep curtains, furnishings or any combustible material well away from the heater or it's installation location.
- Keep children and unauthorised persons away from the heater, as it gets very hot.
- Disconnect from mains and allow to cool before moving or attempting any cleaning or maintenance.
- **DO NOT USE WITH AN EXTENSION CABLE.**
- **DO NOT** use this heater with timers or other devices which switch the heater on automatically.
- **DO NOT** immerse the heater in water.
- **DO NOT** locate the heater below the power outlet.
- **DO NOT** move the heater whilst in operation or even when still warm.
- **DO NOT** use the heater to perform a task for which it has not been designed.
- **DO NOT** use this heater with a programmer, timer, separate remote-control system or any other device that switches the heater on automatically, since a fire risk exists if the heater is covered or positioned incorrectly.
- **DO NOT** use this heater in the immediate surroundings of a bath, a shower or a swimming pool.
- **NOTE:** Two dark points may exist on the surface of the heating element, or the surface of the heating element may turn white during the first few minutes of operation. This is normal and will not affect the performance of the heater.
- **CAUTION:** Some parts of this product can become very hot and cause burns. Particular attention has to be given where children and vulnerable people are present.
- **NOTE:** Children of less than 3 years should be kept away unless supervised continuously. Children aged from 3 years and less than 8 years shall only switch on/off the appliance provided that it has been placed or installed in its intended normal operating position and they have been given supervision or instruction concerning use of the appliance in a safe way and understand the hazards involved. Children aged from 3 years and less than 8 years shall not plug in, regulate and clean the appliance or perform user maintenance.

- **NOTE:** This appliance can be used by children aged from 8 years and above and persons with reduced physical, sensory or mental capabilities or lack of experience and knowledge if they have been given supervision or instruction concerning use of the appliance in a safe way and understand the hazards involved. Children shall not play with the appliance. Cleaning and user maintenance shall not be made by children without supervision.

About the Product

Outdoor infrared heater is the perfect companion for your parasol or gazebo all year round. A totally dry heat, no condensation, no gas, no fumes and no smell. Heats an area of up to 10m². Folding design make this heater easy to store when not in use. Features extra long 5m cable.

• SPECIFICATION

- **Model no:** **DG176**
- Heated Area: 10m²
- Product Dimensions (W x D x H): 805 x 140 x 200mm
- Power: 1600W
- Supply: 230V
- Cable Length: 5m
- **IP Rating:** **IPX3**

Installation

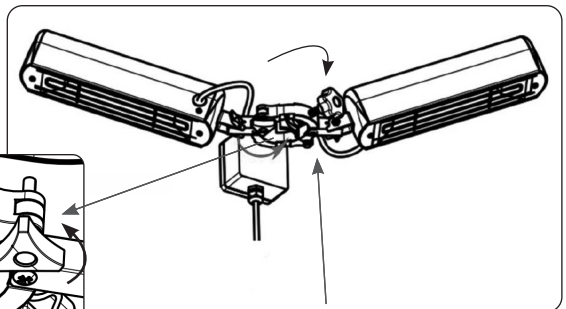
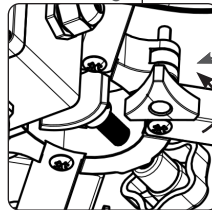
When choosing the mounting position it is very important to ensure the lights are NOT pointed towards any combustible materials or surfaces (refer to safety section for specific dimensions), to adjust the lamps themselves loosen the wing nut connecting the lamp to the support bracket, set the heater to the desired position and re-tighten take care to ensure that no cables are trapped stretched or under pressure. Never adjust your heater when it is hot!

- The heater must be installed no less than 500 mm from side walls and no less than 1800 mm off the floor.
- **WARNING!** Ensure that the supply cable is well positioned and will not come into contact with the reflector of the heater or that it does not trail into the heated area.

Step 1:

Ensure that the parasol or pole to be affixed to is stable using a suitable base or fixing.

Remove the vertical thumb screw as shown, this will allow the pole bracket to hinge open and wrap around your pole.

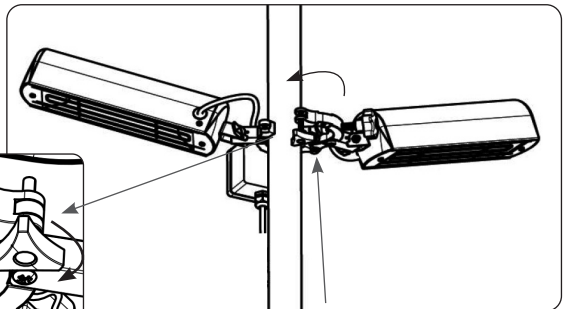
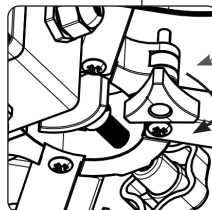


Pole bracket thumb screw

Step 2:

Wrap the mounting bracket around the pole and close.

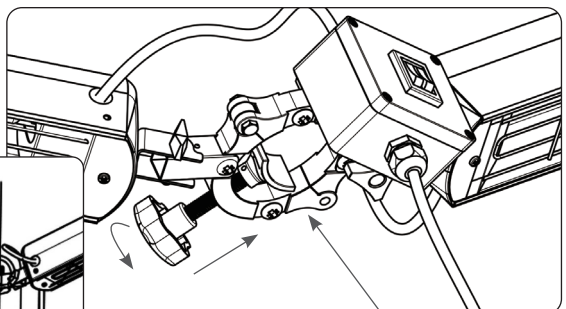
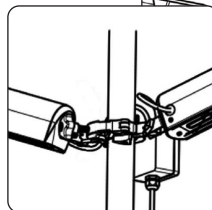
Replace the vertical thumb screw as shown and screw it back into place.



Pole bracket thumb screw

Step 3:

Carefully slide the heater assembly up the pole to the desired height (At least 1.8m from ground level) turn the pole clamp handle screw clockwise to tighten up on the pole.



Pole clamp

Operation

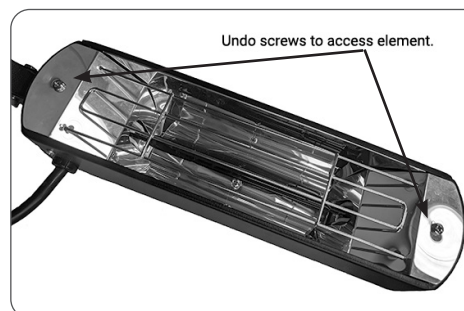
- Connect the 3pin mains plug into a suitable RCD protected outdoor weatherproof socket.
- The heater lamp has a switch box on the mounting bracket with individual illuminating rocker switches to allow you to turn on one or both bulbs .
- Always make sure you turn off your lamps when they are not required.

Changing a heating element

- **WARNING!** Always ensure the appliance is switched off and disconnected from the mains power source before attempting maintenance.
- When handling the element bulb ensure you are wearing clean lint free gloves, if your skin does come into contact with the element ensure it is cleaned thoroughly with something like methylated spirit and dried with a clean cloth.

Step 1:

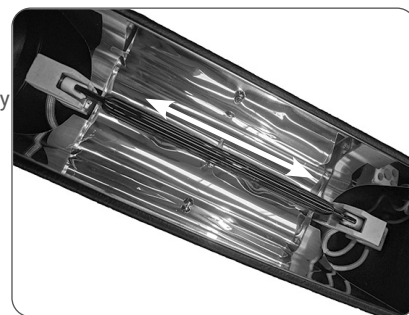
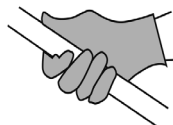
When the lamp is cool and unplugged unscrew the two cross head screws holding in the end reflectors and front grill, carefully lift out the reflectors and grills and put them safe with the screws ready for reassembly.



Step 2:

When you have clear access to the old element gently hold and push the lamp towards one of the lamp holders (these are sprung and allow the other end of the element to come away) tilting it away and remove from the housing.

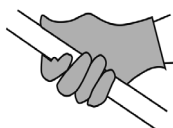
DO NOT handle the elements without gloves or a lint free cloth as it could compromise the component.



Step 3:

With gloves or holding the new element with a clean lint free cloth reverse the process you have just undertaken to install a new element into your parasol lamp.

The new heating element must be installed within 4° of horizontal along it's length, make sure the element is well seated in the lamp holder and you have a good contact. Ensure the safety grill is fully installed before switching the lamp back on.



Maintenance

- **WARNING!** Disconnect from the mains power supply before undertaking any cleaning or maintenance
- **DO NOT** touch your lamp until it has fully cooled down
- Regular and careful cleaning helps your infrared heater operate efficiently.
- Unplug from the mains for your safety before cleaning the appliance.
- Make sure the heater is cool before continuing.
- To keep the heater clean, the outer shell maybe cleaned with a soft, damp cloth. You may use a mild detergent if necessary. After cleaning, dry the unit with a soft clean cloth.
- **WARNING! DO NOT** let liquids enter the heater.
- **DO NOT** use alcohol, gasoline, abrasive powders, furniture polish or rough brushes to clean the heater. This may cause damage or deterioration to the surface of the heater.
- **DO NOT** immerse the heater in water.
- Wait until the heater is completely dry before use.

Troubleshooting

- If heater will not turn on. Check the cable is plugged into an electrical outlet, if not, plug in.
- Check if electricity to the building is working.
- Bulb is lit, but no heat: Bulb is damaged. Contact your supplier to source a replacement.



Environment Protection, Waste Electrical and Waste Electronic Equipment Regulations (WEEE)



Recycle unwanted packaging materials. When this product is no longer required, or has reached the end of its useful life, please dispose of in an environmentally friendly way. Drain any fluids (if applicable) into approved containers, in accordance with local waste regulations. It is our policy to continually improve products and we reserve the right to alter data, specifications and parts without prior notice. No liability is accepted for incorrect use of this product. Guarantee is 12 months from purchase date, proof of which is required for any claim.

Note: It is our policy to continually improve products and as such we reserve the right to alter data, specifications and component parts without prior notice.

Important: No Liability is accepted for incorrect use of this product.

Warranty: Guarantee is 12 months from purchase date, proof of which is required for any claim.

Dellonda Limited

Kempson Way, Suffolk Business Park, Bury St Edmunds, Suffolk. IP32 7AR



01284 757575



support@dellonda.co.uk



www.dellonda.co.uk