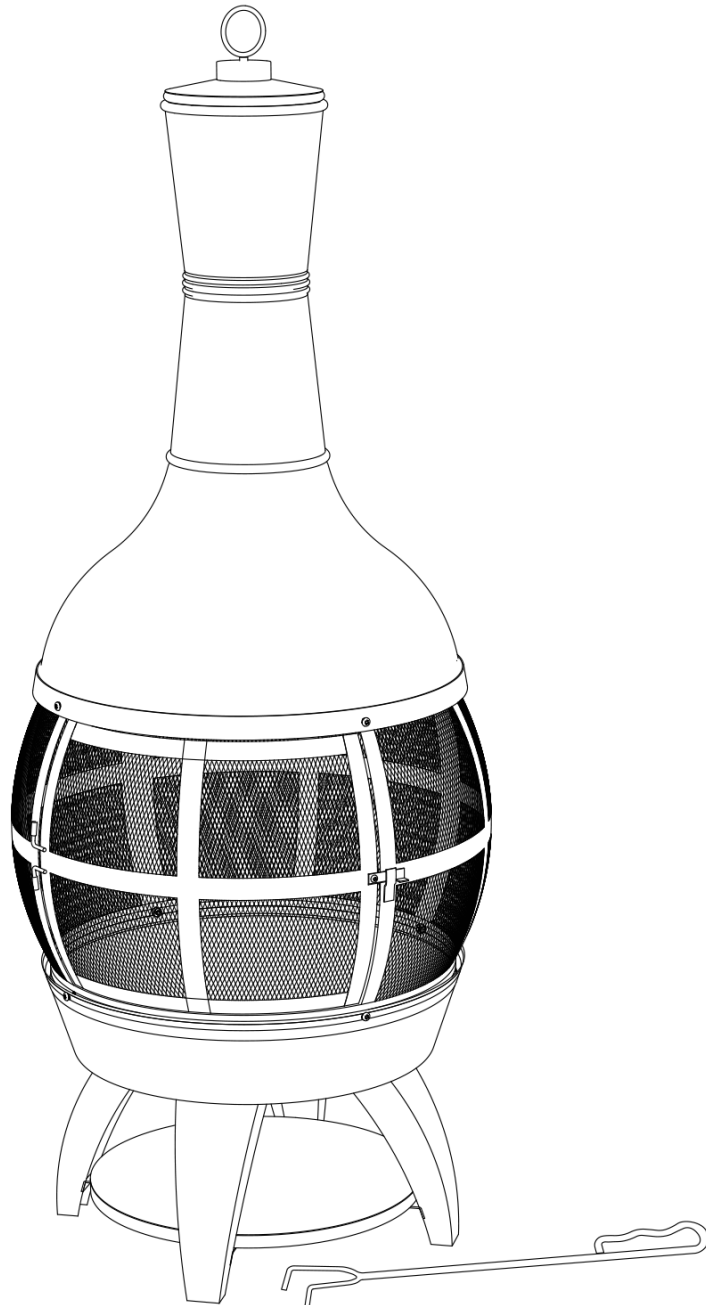




**Dellonda Deluxe 360° Chiminea/Fire Pit/
Outdoor Heater - Bronze Antique Finish**



Model No. DG112

Thank you for purchasing a Dellonda product. Manufactured to a high standard, this product will, if used according to these instructions, and properly maintained, give you years of trouble free performance.

Important Information

Please read these instructions carefully. Note the safe operational requirements, warnings & cautions. Use the product correctly and with care for the purpose for which it is intended. Failure to do so may cause damage and/or personal injury and will invalidate the warranty. Keep these instructions safe for future use.

Specification: Diameter: Ø560MM, Height 1410mm, Thickness 1mm.

About the Product

This traditional style chiminea/fire pit is perfect for use while enjoying time at home on your patio. Features a safety mesh screen to prevent embers and sparks flying out. You can use logs or untreated timber to keep you warm in the evenings. Constructed from durable steel and is coated in a long-lasting fire-resistant paint to keep looking as good as new. Supplied with a fire poker.



Refer to
instruction
manual



Wear
Gloves



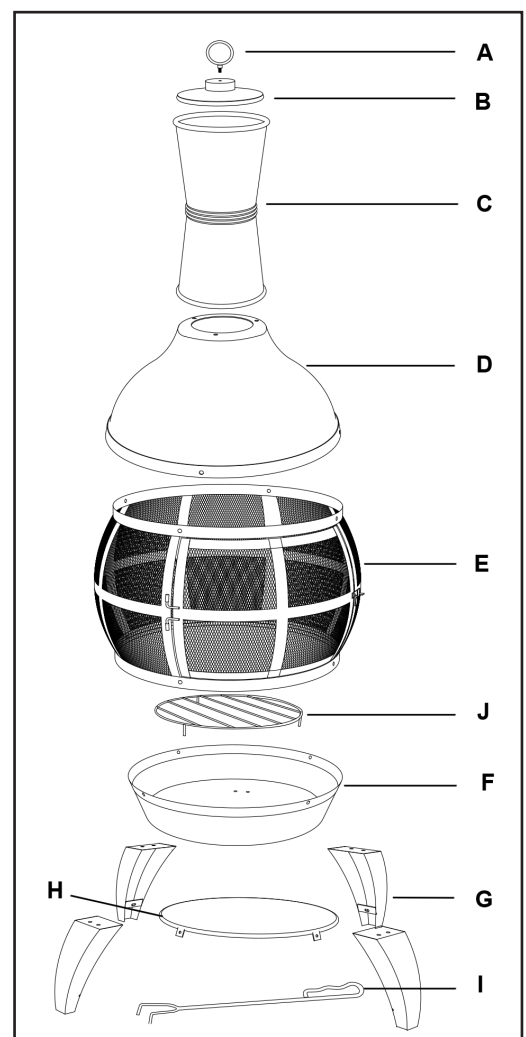
Warning:
Hot
Surface

Safety Instructions

- **WARNING! The warnings, cautions and instructions in this manual cannot cover all possible conditions and situations that may occur. It must be understood by the operator that common sense and caution are factors which cannot be built into this product, but must be applied by the operator.**
- **WARNING! For outdoor use only, never burn in vehicles, tents or indoors.**
- Risk assess the area where the fire pit is to be used.
- **DO NOT** use the chiminea/fire pit to cook food, the fire bowl is not designed for grilling food.
- This fire bowl is intended to burn wood logs only. **DO NOT** use on wooden decks. **DO NOT** burn coal, leaves, or other combustible materials in the bowl.
- Add fuel gradually, a bit at a time.
- **DO NOT** use flammable liquids to start fires.
- Ensure there is a garden hose nearby, in case of emergency.
- Consider neighbours, ensure the smoke generated will not affect them.
- Keep away from combustible materials. Site away from fences, shrubs, trees, garden structures and buildings. A gusty day can make a fire burn more fiercely, causing it to flare up unexpectedly.
- Not for use by children. Keep children and pets away from the chiminea bowl.
- The chiminea bowl is hot. Use with caution. **DO NOT** touch the hot chiminea with bare hands.
- Never leave the burning chiminea/fire pit unattended, and always extinguish the fire completely.
- **DO NOT** use chiminea near flammable or combustible objects or materials.
- When the chiminea bowl is in use, the door and mesh screen can reach extreme temperatures that can cause serious injury to an unprotected hand. Use a poker or an appropriate heat resistant glove or pad when handling.
- Always ensure the mesh door is closed when lit.
- The poker handle may become hot during and after use.
- Check local fire regulations and municipal by-laws for safe use.
- Check tightness of fixings periodically.
- Only use on level ground.
- **DO NOT** move whilst lit.
- **WARNING** Although we take every effort to ensure that the assembly process is as easy as possible, it is inherent with fabricated steel parts that corners and edges can cause cuts if improperly handled during assembly procedures. Be careful whilst handling parts during assembly. It is strongly recommended that hands are protected with a pair of work gloves.
- Keep children and pets away from the area.

Contents

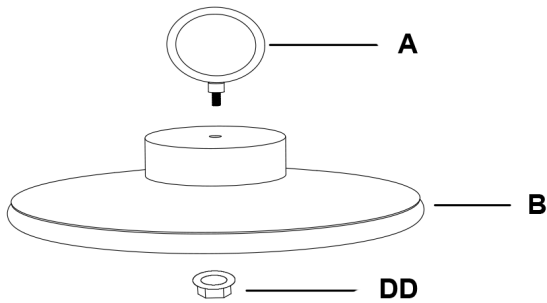
Part	Description	Quantity
A	Handle	1
B	Chiminea Cover	1
C	Chiminea Flue	1
D	Chiminea Top	1
E	Mesh Screen	1
F	Chiminea Bottom	1
G	Stand	4
H	Tray	1
I	Poker	1
J	Fire Wood Grate	1
AA	M6 X 12mm Bolt	7
BB	M6 x 14mm Bolt	8
CC	M6 x 25mm Bolt	8
DD	M6 Nut	17



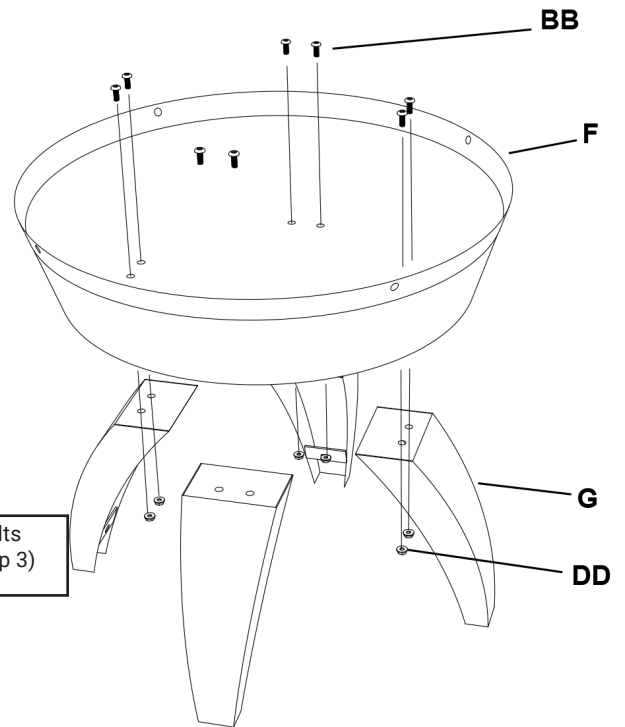
Assembly

Ensure you have space to assembly this Chiminea safely and try to assemble on a sheet card sheet to avoid damaging the unit.

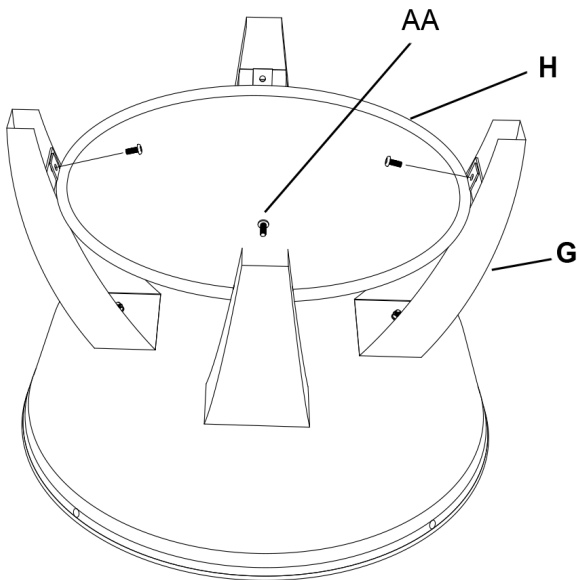
Step 1: Insert handle (A) through the cover (B) and secure with M6 nut (DD)



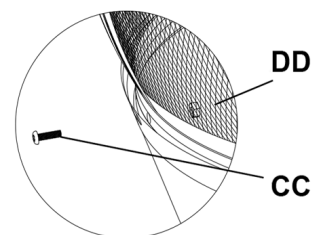
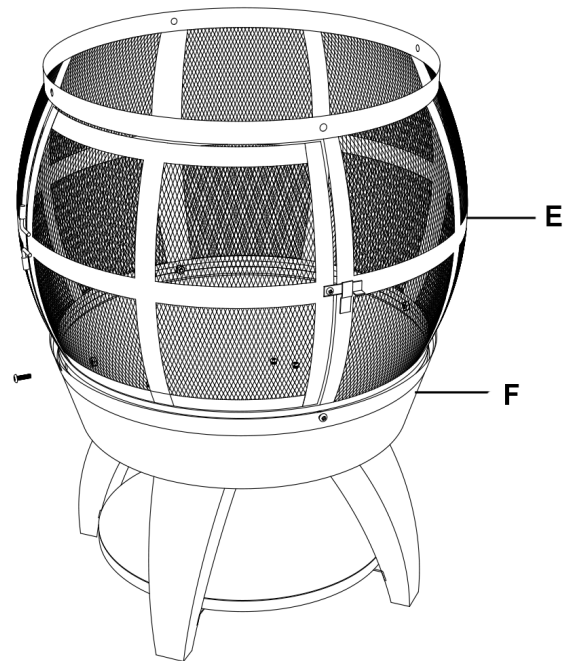
Step 2: Attach the legs (G) to the chiminea base (F) using M6x14mm bolts (BB) and M6 nuts (DD), hand tighten at this stage (Tighten fully after step 3)



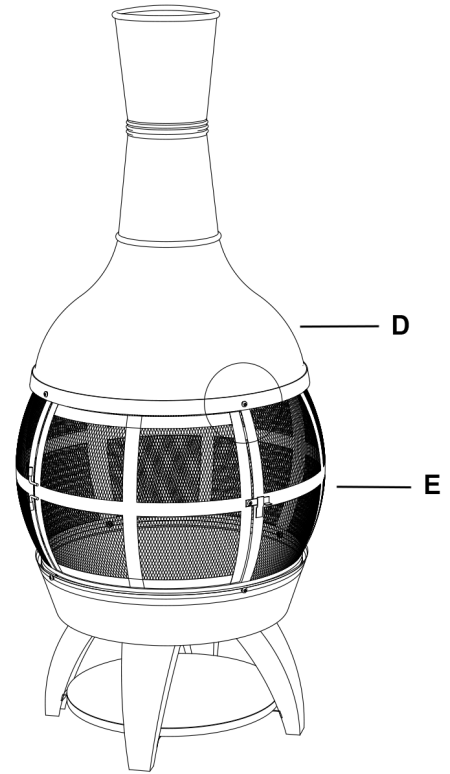
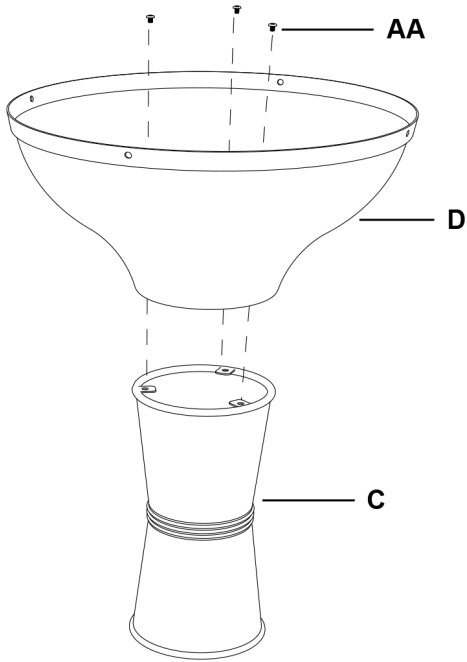
Step 3: Attach the tray (G) using M6x12mm bolts (AA) and tighten.



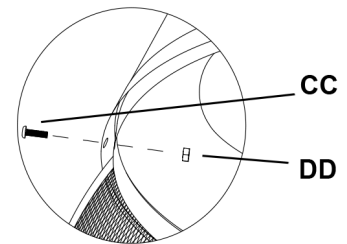
Step 4: Attach the mesh screen (E) to chiminea base with M6x25mm bolts (CC) and M6 nuts (DD) and tighten.



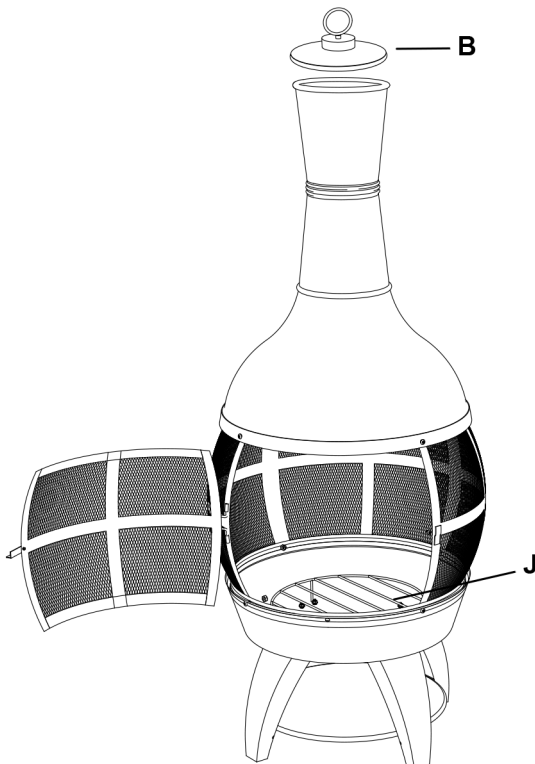
Step 5: Attach the chiminea top (D) to the flue (C) using M6x12mm bolts (AA). Securely tighten each bolt.



Step 6: Attach chiminea top (D) to the mesh screen (E) with M6x25mm bolts (CC) and M6 Nuts (DD). Tighten each bolt with a spanner and crosshead screwdriver.



Step 7: Place the poker (I) near the Chiminea and the cover (B) on the top of the funnel (C).



Lighting Instructions

- Use a layer of dry seasoned wood.
- Always use a long match or lighter to light.
- Use the poker provided to operate the fire and wear heat-resistant gloves.

Maintenance

- Clean with a non-abrasive, non-solvent based, mild detergent.

Storage

- Store in a dry place.

Environment Protection and Waste Protection and Electrical Equipment Regulations (WEEE)

Recycle unwanted packaging materials. When this product is no longer required, or has reached the end of its useful life, please dispose of it in an environmentally friendly way. Drain any fluids (if applicable) into approved containers, in accordance with local waste regulations.

It is our policy to continually improve products and we reserve the right to alter data, specifications and parts without prior notice. No liability is accepted for incorrect use of this product. Guarantee is 12 months from purchase date, proof of which is required for any claim.

Dellonda Limited

Kempson Way, Suffolk Business Park, Bury St Edmunds, Suffolk. IP32 7AR



01284 757575



support@dellonda.co.uk



www.dellonda.co.uk