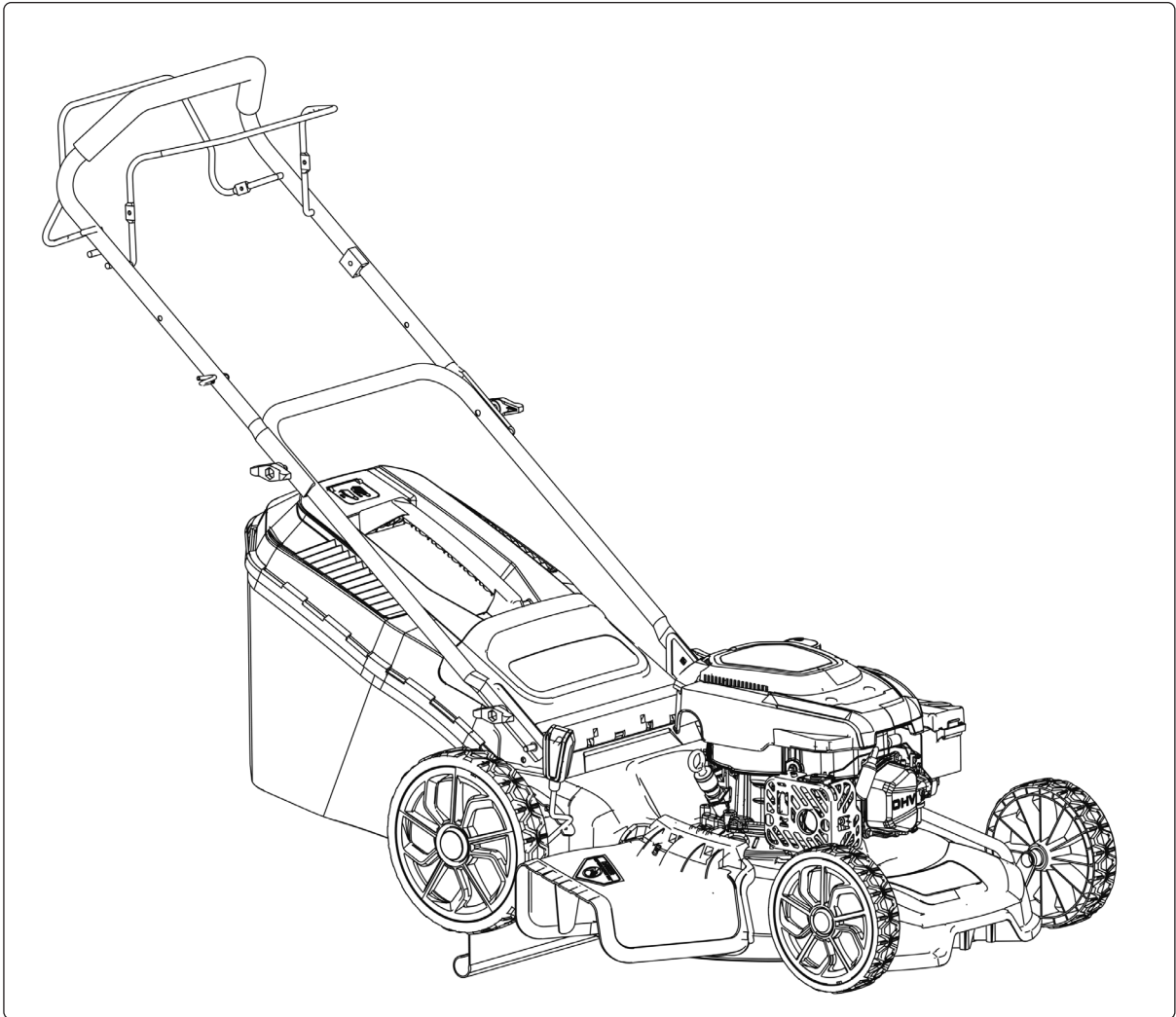




Self-Propelled Petrol Lawnmowers - 4-Stroke
149cc 18"/46cm - 171cc 20"/51cm

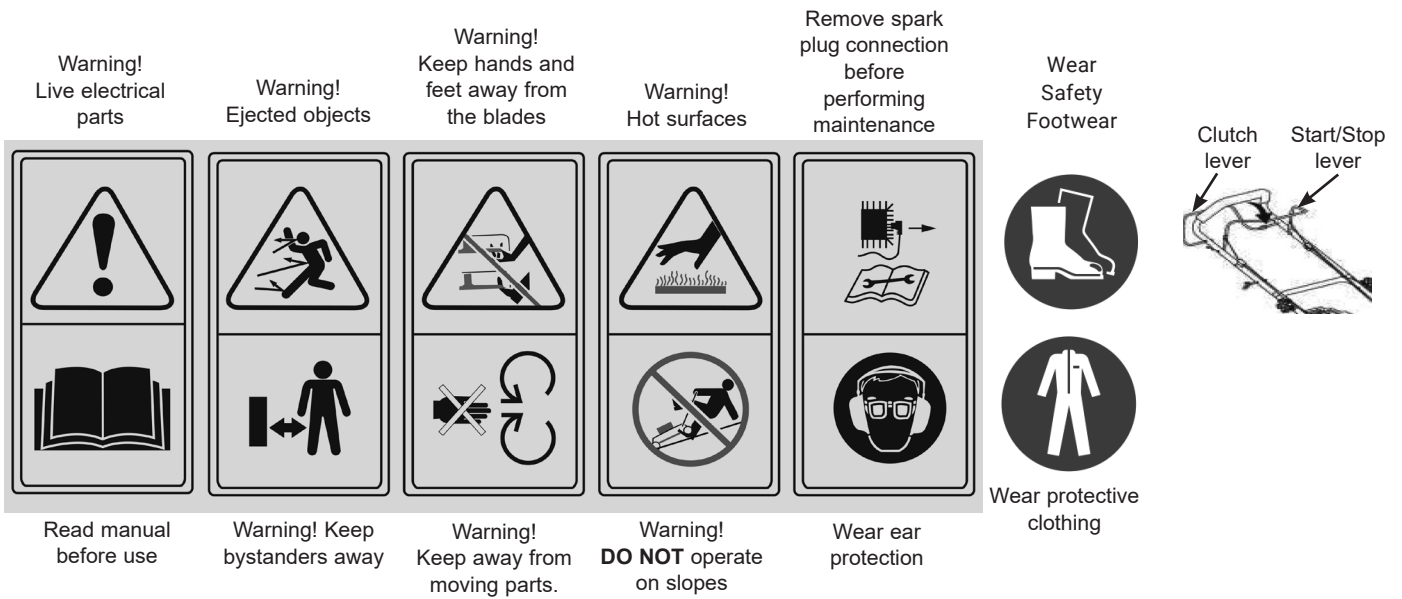


Model No.s DG101.V3 / DG102.V3

Thank you for purchasing a Dellonda product. Manufactured to a high standard, this product will, if used according to these instructions, and properly maintained, give you years of trouble free performance.

Important Information

Please read these instructions carefully. Note the safe operational requirements, warnings & cautions. Use the product correctly and with care for the purpose for which it is intended. Failure to do so may cause damage and/or personal injury and will invalidate the warranty. Keep these instructions safe for future use.



Safety Instructions

- ✓ Read and fully understand instruction manual before using the lawnmower. Retain manual for future use and future users.
- ✓ Users must be fully trained before using lawnmower.
- ❑ **WARNING!** This product is used exclusively for mowing grass. **DO NOT** use it for any other purposes than those intended. Otherwise there is a risk of damaging it or an injury.
- ✓ Never allow children or persons who are not acquainted with the contents of this user's manual to work with the machine.
- ✓ The person operating the lawnmower is responsible for the safety of persons in the work area.
- ✗ **DO NOT** operate the lawnmower in the near vicinity of other people, children or freely roaming animals.
- ❑ **WARNING!** Always use PPE and especially ear protection as prolonged exposure to loud noises can damage hearing.
- ✓ Before starting mowing, check the terrain where the lawnmower will be used and remove stones, wires, sticks, splinters, bones and other foreign objects, which could become caught in it or deflected or cause injuries.
- ❑ **WARNING!** keep hands and feet away from moving blades. Be aware of the danger of being drawn in by moving parts.
- ❑ **WARNING!** Be aware of live electrical parts and hot surfaces.
- ✓ All nuts, pins and bolts must be properly tightened so that the machine is in a safe and operational condition.
- ✗ **DO NOT** use the lawnmower without the grass catcher or protective cover.
- ✗ **DO NOT** use the lawnmower with loose mowing blades. Always check in advance that all respective bolts are securely tightened. Blunt blades must be sharpened evenly. Damaged blades must be replaced.
- ✓ When working with the lawnmower wear long trousers and solid footwear.
- ✓ Suitable/protective clothing (long trousers) and appropriate PPE must be worn: ear protection, safety, slip resistant foot protection.
- ✓ **DO NOT** use whilst tired, ill or under the influence of alcohol or other drugs.
- ✗ **DO NOT** use indoors or an unventilated area due to danger from exhaust fumes. Never start the lawnmower in enclosed or poorly ventilated areas where fumes could accumulate. Emissions from the engine contain carbon monoxide, which is life threatening.
- ✓ **ALWAYS** inspect and risk assess the area to be worked prior to mowing. Review for items such as foreign objects (stones, toys, wires sticks, bones), slope, ditches, drop-offs.
- ✓ Proceed especially carefully when mowing in elevated terrain (on a slope). Be aware of the risk of overturning on too steep a slope.
- ✗ **DO NOT** use where the gradient is more than 20° or motor seizure may occur. Always 'travel' along slope contours not up and down slopes.
- ✓ **ALWAYS** inspect the unit prior to use for loose fittings, fatigue and damage.
- ✗ **DO NOT** lift the rear part of the grass ejection chute, cutting deck or the rear grass ejection chute while the engine is running.
- ✓ Never modify the engine's speed setting.
- ✓ Never transport the lawnmower while its engine is running.
- ✓ Stop the engine and disconnect the spark plug cap in the following cases:
 - when performing any task whatsoever under the mowing deck or in the rear grass ejection chute.
 - when performing maintenance, repairs or inspecting the machine.
 - before carrying, lifting or transporting the lawnmower.
 - when you leave the lawnmower without supervision or you are getting ready to adjust the mowing height.
 - before removing and emptying the grass catcher.
 - when an impact with a foreign object occurs, stop the engine and carefully inspect to ensure that there is no damage. In the event of damage, take the lawnmower to a specialized service centre for repairs.
- ▲ **DANGER!** The mowing blade continues to rotate for several seconds after the engine is turned off.
- ✓ If the lawnmower is vibrating abnormally (immediately identify and remedy the cause of the vibration).
- ✓ For the purpose of ensuring safe operation, regularly check that the pins, bolts and nuts on the lawnmower are securely tightened.
- ✓ Store fuel in a suitable container.
- ✓ Only add fuel in an open and well ventilated location. When handling fuel, **DO NOT** smoke or use a mobile phone.
- ✓ Only add fuel when the engine is turned off and has cooled. Never open the fuel tank or add fuel if the engine is hot or if it is running.

- ✗ If fuel is spilled, **DO NOT** start the engine. Take the lawnmower away from the location where the fuel was spilled and take care to avoid possible ignition. Continue with work only after the spilled fuel has evaporated and the fuel fumes have dissipated.
- ✓ After adding fuel, securely tighten the fuel tank cap and the cap on the fuel canister.
- ✓ Check oil level before first and each use.
- ✓ Only use the lawnmower when there is good visibility (daylight or good artificial light.)
- ✗ **DO NOT** use the mower without either the grass box or deflector fitted.
- ✗ **DO NOT** use the mower if there is a risk of lightning.
- ✗ **DO NOT** use in the rain.
- ✗ **DO NOT** leave the mower running without supervision.
- ✓ Allow the unit to cool down completely before moving or storing.
- ✓ Before carrying out any maintenance or adjustments, turn off the engine and disconnect the spark plug. Ensure all moving parts have come to a complete standstill and cannot start again unexpectedly.
- ✓ Use genuine replacement parts only.
- ✓ Check for and replace worn or damaged parts using only genuine and approved parts.
- ✓ Keep the lawnmower in good operating condition and perform regular maintenance. Keep lawnmower clean.
- ✗ **DO NOT** modify the lawnmower in any way. **DO NOT** tamper with or modify safety features in any way.
- **NOTE:** This appliance can be used by children aged from 8 years and above and persons with reduced physical, sensory or mental capabilities or lack of experience and knowledge if they have been given supervision or instruction concerning use of the appliance in a safe way and understand the hazards involved. Children shall not play with the appliance. Cleaning and user maintenance shall not be made by children without supervision.

Assembling the handle

- Locate the two lower handle arms onto the peg protruding from the mounting brackets (fig.1).
- To set the required handle angle, determine which of the two hole options will provide the angle desired.
- Make sure the Start/Stop and Clutch cables are not wrapped around the handle and have not been kinked before beginning to hand tighten the connection knobs.
- Locate the Start and Clutch cables end ferrules into the holes in the handles.
- Align the holes in the handle with the determined holes and insert coach bolts from the inside surface of the bracket.
- Thread a clamp lever onto the protruding coach bolt and tighten down to fix the handle in position. Repeat on both arms.
- Carefully align the upper handle fixing holes to the fixing holes in the lower arms, insert a coach bolt from inside surface of the handle.
- Thread a clamp lever onto the protruding coach bolts and tighten down fix the upper handle in position. Repeat on both sides.
- Place the cable guide over the cable and clip it to the lower handle arm on the opposite side to the starting cable to avoid snagging of the start cable when used.

Item	Description	Item	Description
1	Clutch Lever	11	Height Adjuster
2	Soft grip	12	Rear Wheel
3	Upper handle	13	Oil Filler Cap
4	Brake Lever	14	Side Discharge Cover
5	Fixing knob	15	Side Discharge Chute
6	Lower Handle	16	Deck
7	Grass Box	17	Spark Plug
8	Fuel Tank	18	Starter Cord
9	Primer Bulb	19	Rear Discharge Cover
10	Front Cover	20	Front Wheel

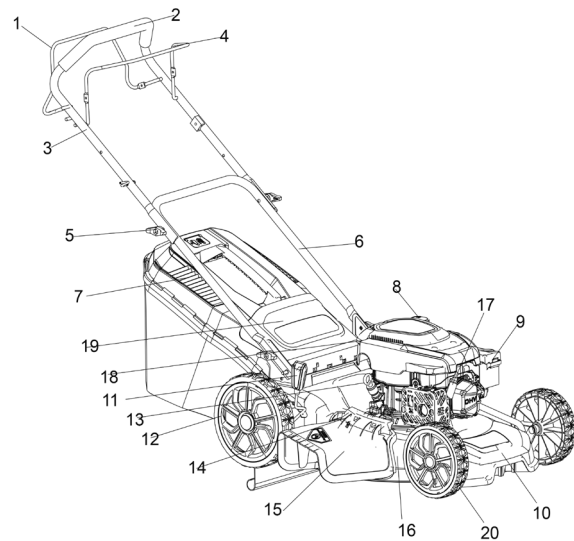


Fig.1

Assembling the grass box

- Clip the plastic clips over the metal frame metal frame.
- Make sure clips are fully secured to the metal frame.
- Mount to the rear of the mower by raising the discharge cover and hook the box to the mounting lugs. Release the discharge cover to secure grass box in location.

Preparation

- **OIL LEVEL - NOTE: the unit is supplied without engine oil. Always check oil and fuel states while the mower is on a level surface.**
- **WARNING!** Running an engine with low oil level will cause engine damage.
- Remove the oil filler cap. Use any good **SAE30** or equivalent oil. Approximately 350ml of oil will be required on first filling. Add oil slowly and constantly check the dipstick until the correct level is achieved. Maximum oil volume is 400 ml. Wipe the dipstick clean each time to ensure an accurate reading.
- Markings on the dipstick indicate maximum and minimum oil levels.
- **DO NOT OVERFILL** the oil tank, otherwise a large amount of smoke will come out of the exhaust when the lawnmower is started up.
- **IMPORTANT INFORMATION:** Check the oil level before every use of the lawnmower whilst on a level surface. Add oil if necessary. Add oil up to the **MAX** level mark on the oil dipstick.
- **IMPORTANT INFORMATION:** Replace the oil after the first 5 hours of operation and subsequently after every 25 hours of operation.

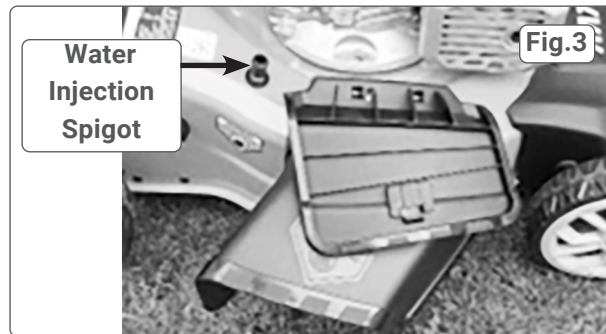
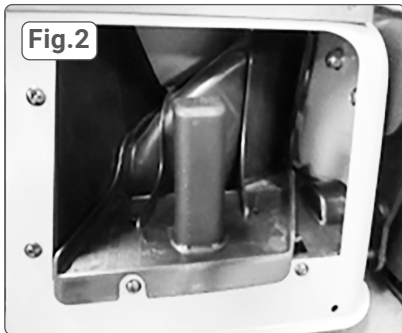
- **ADD FUEL. DO NOT** add fuel with the engine running or while the machine is hot.
- **NOTE:** Fuel tank capacity is 0.8L.
- Ensure this carried out in a well ventilated environment with no sources of ignition / heat in the area. When handling fuel, **DO NOT** smoke or use a mobile phone.
- With the machine on level surface and after unscrewing the fuel tank cap (Fig.1.8) add the fuel, pouring it in up to the collar of the fuel tank but **DO NOT** overfill it to avoid over-spill.
- Always add fresh, clean and approved lead-free petrol with an octane rating of at least 95.
- **WARNING!** In the event that you spill any oil or fuel on the lawnmower when refilling, wipe it away immediately. **DO NOT** store or add fuel or handle it in any way in the vicinity of an open fire.
- **WARNING!** Fuels mixed with alcohol or fuels with ethanol or methane additives may bind moisture to themselves, which may result in separation during storage and the formation of acids.
- Subsequently during storage the acid vapours may damage the fuel system of the lawnmower engine. These fuels must not be used in the lawnmower.
- **IMPORTANT INFORMATION:** When not using the lawnmower for longer than 30 days, drain the fuel tank, start the engine and let it run until the fuel lines and the carburettor are empty (the engine will stop on its own). This will prevent future engine problems.
- Before using it again, add fresh fuel into the fuel tank. For more information, see storage instructions.

Operation/Starting the mower

- **Before starting the mower, ensure the safety instructions have been read, understood and applied and suitable PPE is being worn.**
- Due to the vibrations of the product, it is recommended to take breaks at regular intervals.
- **WARNING: DO NOT attempt to remove the grass box while the engine is running. Never open the ejector flap when the grass box has been detached (to be emptied) and the engine is still running. The rotating blade can cause serious injuries!**
- When initially starting the unit from cold, prime the unit by depressing the orange rubber priming bulb three or four times (Fig.1.9). This should not be required when starting an already warmed up mower.
- If the engine stops due to lack of fuel, refill and depress priming bulb three or four times to restart.
- **NOTE:** if the engine won't start after you have operated the starter several times, the engine may be flooded with excess fuel. Use following procedure to clear and start a flooded engine.
 1. Release the engine Start/Stop lever to stop engine.
 2. Remove the spark plug, dry it, and then reinstall it.
- **NOTE:** Install the spark plug carefully by hand to avoid cross-threading. After the plug is seated tighten 1/8 to 1/4 turn with spark plug socket spanner to compress the washer.
- Sharply pull the starter handle (fig.1.18) to it's extent and allow it to rewind gently under control. The engine should start after 2-4 pulls.
- **CAUTION!** A small amount of smoke may be emitted when the engine is started up for the first time as the protective layers in the engine are burnt off. This is completely normal and does not constitute a problem.
- To turn the engine off, release the Start/Stop lever slowly. **DO NOT** let go or release quickly in an emergency as this can damage your engine.
- **NOTE:** The cutting blade may not stop immediately.
- The operator should not alter or tamper with any sealed adjustments for the engine speed control.
- **MOWING**
- **ADJUST HEIGHT** (Fig. 1.11)
 - **WARNING: DO NOT** attempt to adjust cutting height whilst spark plug boot is attached or the engine is running.
 - The mowing height is set centrally using the central mowing height adjustment lever (Fig. 1.11).
 - Select from 7 positions in the range of 25 to 70 mm. The middle mowing height is the most suitable for the majority of lawns.
 - Lawn damage may result when the lowest height is set.
 - For maximum effectiveness, it is recommended to trim the grass by no more than 1/3 of its length. To mow overgrown grass, proceed step by step and decrease the height setting by one step after each mowing. To keep a quality lawn, **DO NOT** use the lowest mowing height setting.
 - When the engine is running push the clutch lever (Fig.1.1) to the handle and the drive system will engage.
- **WORKING TIPS**
 - Select your required height setting.
 - Start the engine and allow it to run up to a steady, constant speed.
 - Keep a firm grip on the upper handle with engine Stop/Start lever and push the Clutch lever forwards to start mowing.
 - Walk, never run with the mower, be very careful when mowing uneven or rough ground.
 - Mow across slopes, never up and down.
 - Be careful when changing the direction of the mower on a slope.
 - **DO NOT** mow excessively steep slopes. **DO NOT** use the mower on slopes with inclination of more than 20° otherwise motor seizure might occur.
 - The best result will be achieved if the grass is dry. Wet grass will tend to clog the blade and the grass collection system.
 - Grass grows at different rates at different time of the year. Never use the lowest cutting height for the first cut of the season or in drought conditions.
 - Only about one third of the grass height should be cut.
 - **DO NOT** cut high or wet grass. When you have been cutting for several minutes, stop the mower, remove spark plug cap and clean the blade and the deck.
 - **DO NOT** remove grass debris in the mower casing or on the blade by hand or with your feet. Instead use suitable tools such as a brush or broom.
 - **NOTE:** When the grass box is full, the flap in the lid will drop due to lack of air flow through the grass box. Also when grass clippings start to trail the lawn mower, it is time to empty the grass box.
 - **NOTE:** Before taking off the grass box, switch off the engine and wait until the blade has come to a stop.
 - To take off the grass box, use one hand to lift up ejector flap and the other to grab onto the carry handle. The ejector flap automatically falls down after removing the grass box and partially closes off the rear chute opening.
 - Empty the grass debris in the grass box, and refit grass box.
- **MOWING WITH THE GRASS BOX**
 - When the grass box is installed, clippings are discharged into it. When full, the flap in the cover will drop due to lack of air flow.
 - In case of poor collection of mower grass, please increase the mowing height and check whether the lawn is wet.
- **MOWING WITH REAR DISCHARGE**
 - Without the grass catcher installed, the grass catcher cover serves as a deflector that directs the movement of the grass clippings towards the ground. The cover is held firmly down by an applied spring. A row of grass clippings is thereby formed behind the lawnmower.
 - To fit the grass box, lift the deflector on the mower body and locate the hooks on the box onto the mower body.
 - If the grass box is not fitted, the spring loaded deflector will direct the cuttings towards the ground.
 - **DO NOT** operate the mower without either the grass box fitted or the deflector fitted and facing downwards.

- **MULCHING**

- Remove the grass box and raise the discharge cover.
- Insert the mulching plug into the rear discharge opening. Locate the plug by engaging the two pegs, the clip and the lip of the plug into the respective locations in the mower body. (Fig.2)
- To engage the side discharge chute, lift the spring loaded cover and engage the hooks in the chute with the spindle of the cover. Lower the spring loaded cover to secure the chute in position. (Fig.3)
- **NOTE:** Before placing the lawn mower on its side, fully drain the fuel tank using a petrol extraction pump. **DO NOT** tilt the lawn mower by more than 90°.

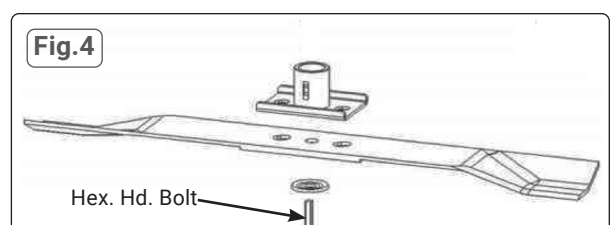


- **Cleaning**

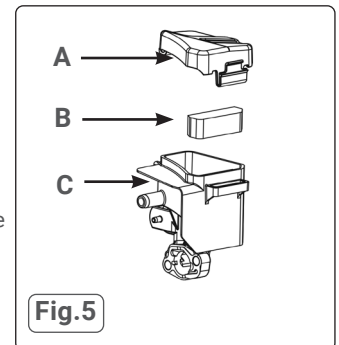
- **WARNING!** Before carrying out cleaning, maintenance or repairs, stop the engine and disconnect the spark plug.
- **NOTE:** If any grass residue is caught in the discharge chute, clean it using a brush. **DO NOT** remove grass debris in the mower casing or on the blade by hand or with your feet. Instead use suitable tools such as a brush or broom. To ensure that the cut grass can be collected into grass box, the discharge opening and inside the mower casing must be cleared of any blockage.
- The lawn mower should be cleaned thoroughly every time after it has been used.
- **DO NOT** allow grass cuttings and other debris to become dry and hard on any of the mower surfaces.
- Dried grass remnants and dirt may impair the mowing operation.
- Check that the grass chute is free of any residual grass. Remove any such residue.
- Check the underside of the lawn mower and the blade mount. For this purpose, tilt the Lawn mower onto its left side (opposite the oil filler neck)
- **NOTE:** Before placing the lawn mower on its side, fully drain the fuel tank using a petrol extraction pump. **DO NOT** tilt the lawn mower by more than 90°.
- Cleaning the underside of the mower body may also be achieved by connecting a garden hose to the water injection spigot (Fig. 3).

- **Maintenance**

- **WARNING!** Before carrying out cleaning, maintenance or repairs, stop the engine and disconnect the spark plug.
- **OIL**
- Regular maintenance is the basic prerequisite for ensuring safety of the user, maintain the lawnmowers operating condition and high performance.
- Replace the oil after the first 5 hours of operation and subsequently after every 25 hours of operation.
- To change the motor oil, with suitable receptacle in place, remove the dip stick (Fig.1.13) and tilt the unit to fully drain it. Replace the dip stick after draining and refill as described in the Preparation section. **DO NOT** overfill. Start the engine and run for a short time. Stop the engine and after 1 minute, measure the oil level. Add oil if required.
- All nuts, pins and bolts must be properly tightened so that the machine is in a safe and operational condition. Never store a machine with petrol in the fuel tank inside a building where the fumes could come within range of an open fire, sparks or sources of high temperature.
- Regularly inspect the condition of the deflector and the grass catcher; replace if damaged.
- Drain the fuel in a well ventilated area when the engine has cooled down.
- Regularly inspect the lawnmower and ensure that all grass deposits are removed from the underside of the chassis.
- Regularly lubricate the axle of the chassis and the bearings using a suitable lubricant.
- In regular intervals, check that all nuts and bolts are tightened. Nuts and bolts that are worn out or incorrectly tightened may cause serious damage to the engine or the frame.
- **STORAGE**
- Before storing in any enclosed area, allow the engine to cool down.
- To reduce the risk of a fire, ensure that the lawnmower and in particular the engine, exhaust muffler and also the location of spare fuel storage are free of grass, leaves or excessive amounts of lubricant.
- **BLADE**
- When removing, installing or inspecting the condition of the mowing blade, use thick work gloves.
- Regularly inspect the condition of the blades because they have a significant effect on the performance of the lawnmower. Blades should always be sharp and balanced. It is necessary to check the balance of the mowing blade every time that it is sharpened. To do this, insert a steel axle (with a diameter of 2-3 mm) into the middle hole. If it is correctly levelled, the axis will remain in the horizontal position.
- If the blade does not remain in the horizontal position, replace it.
- If the blade strongly impacts an obstacle, stop the lawnmower and take it to an authorized service centre.
- The blade is made from pressed steel. To achieve the best possible mowing results, regularly sharpen the blades, approximately after every 25 hours of operation.
- When removing the blade, remove the bolt, check the load bearing part of the blade. If the parts are worn out or damaged, replace them.
- **WARNING!** Always use only original spare parts. Poor quality spare parts may cause serious damage to the lawnmower and create a safety hazard.
- **REPLACING MOWER BLADES** (Fig.4)
- For safety reasons you should only ever have your blade sharpened, balanced and mounted by an authorised service workshop. For optimum results it is recommended that the blade should be inspected at least once a year.
- **WARNING!** You will need garden gloves (not provided) and a spanner (not provided) to remove the blade.
- **WARNING!** Before you remove the grass collection box, stop the engine and wait until the blade stops completely.



- **NOTE! DO NOT** invert the mower. Tip the mower over sideways to the left ensuring the oil filler is uppermost and reach under the deck.
- **WARNING!** Always handle the blade with care, sharp edges could cause injury. **USE GLOVES.** Renew your metal blade after 50hrs mowing or 2yrs whichever is sooner regardless of condition.
- Hold the blade and unscrew the blade bolt counter-clockwise using a spanner wrench. Remove the washer and the blade. (Fig.4)
- **WARNING!** If the blade is cracked or damaged replace it with a new one.
- **WARNING! DO NOT** hold the blade by hand directly.
- **NOTE!** Maintain the sharpness of the blade when cutting grass. If the blade has worn excessively and become pitted and blunt, it should be replaced or sharpened. The sharpness of the blade will affect the performance of the lawnmower.
- For safety reasons we recommend that the blade only be changed by someone qualified and authorized to do so.
- Fit a new blade or re-sharpen the blade, locate the blade on the two studs on the blade flan and then replace the washer and bolts. Make sure the blade is correctly located and then firmly tighten the bolt. **DO NOT** over-tighten. The up turn of the blade must project into the motor compartment.
- **AIR FILTER** (Fig. 5)
 - Clean the air filter regularly.
 - Soiled air filter reduce the engine output by supplying too little air to the carburettor. If the air contains a lot of dust, the air filter should be checked more frequently.
 - Remove the air cleaner outside cover (A). Be careful to prevent dirt and debris from falling into the air cleaner assembly.
 - Separate the Air Filter (B) from the Air Filter Housing (C).
 - Inspect the air filter. Clean dirty air filter with warm water and mild soap. Allow air filter to dry thoroughly before re-installation
 - Install the air filter into the mounting moulding inside the carburettor.
 - **NOTE: DO NOT** use pressurized air or solvents to clean the filter. Pressurized air can damage the filter and solvents will dissolve the filter.
- **OIL CHANGE also refer to Preparation section above**
 - To change the motor oil, remove the dip stick (Fig.1.13) and tilt the unit to fully drain it into a suitable receptacle. Replace the dip stick after draining and refill as described in the Preparation section and Fig.3. **DO NOT** overfill. Start the engine and run for a short time. Stop the engine and after 1 minute, measure the oil level. Add oil if required.
- **SPARK PLUG**
 - Once the engine has cooled, remove spark plug cap (fig.1.17).
 - Clear dirt away from spark plug base.
 - Unscrew spark plug using a spark plug wrench.
 - Wipe spark plug with clean soft cloth and brush gently with a wire brush. If insulator is damaged replace the spark plug,
 - Check the spark plug electrode gap with a feeler gauge. If the gap is not between 0.7 and 0.8mm, carefully and gently adjust the gap by gently tapping with hard object.
 - To avoid cross threading, first start screwing the plug back in by hand. Once engaged, use a spark plug wrench to tighten the plug to compress the washer. **DO NOT** over-tighten or you may damage the thread in the mower body.
- **STORAGE**
 - The mower can be stored for short periods of time (up to 15 days) without significant maintenance.
 - Before storing always:
 - Allow the engine to cool.
 - Ensure grass box is empty.
 - Clean all debris from underside of deck.
 - Store mower upright on a flat and level surface.
 - Store in a safe, clean and dry place which is not accessible by children or people who are not familiar with operation of petrol lawn mower.
- **LONG TERM STORAGE**
 - If the mower is being placed in storage for longer than 15 days the following steps must be undertaken. If not carried out, the next usage may not start correctly or may need servicing.
 - **WARNING! DO NOT** empty the petrol tank in enclosed areas, near fire or when smoking. Petrol fumes can cause fire or explosions.
 - Fully drain fuel from the fuel tank and the carburettor using suction pump if available.
 - Start the engine and allow it to run to use up any residual petrol.
 - Change the oil by removing it from a warm engine and refilling with fresh oil.
 - Clean and dry entire machine to protect the paint work.
 - Store in a safe, clean and dry place which is not accessible by children or people who are not familiar with operation of petrol lawn mower.
- **TRANSPORTATION**
 - Before transporting the mower, drain all oil and fuel. When moving the mower, keep it level and restrained if possible.



• SPECIFICATION

ATTRIBUTE	DG101.V3	DG102.V3
Blade Style:	Rotary	Rotary
Cutting Width:	46cm/18"	51cm/20"
Engine Size:	144cc	170cc
Engine Speed:	2800rpm	2800rpm
Engine Type:	4-Stroke	4-Stroke
Fuel Tank:	0.8L	0.8L
Grass Collection Volume:	60L	60L
Height Adjustment:	25-75mm	25-75mm
Nett Weight:	26kg	27.5kg
Noise Level:	96dB	96dB
Noise Power/Pressure:	96/74dB(A)	96/74dB(A)
Oil Reservoir:	0.4L	0.4L
Power Source:	Petrol	Petrol
Propulsion Type:	Self Propelled	Self Propelled
Rated Power:	2.5kW	3.0kW
Type:	Push Lawn Mower	Push Lawn Mower
Vibration/Uncertainty:	3.0/1.5m/s ²	3.0/1.5m/s ²

Environment Protection and Waste Protection and Electrical Equipment Regulations (WEEE)

Recycle unwanted packaging materials. When this product is no longer required, or has reached the end of its useful life, please dispose of it in an environmentally friendly way. Drain any fluids (if applicable) into approved containers, in accordance with local waste regulations. It is our policy to continually improve products and we reserve the right to alter data, specifications and parts without prior notice. No liability is accepted for incorrect use of this product. Guarantee is 12 months from purchase date, proof of which is required for any claim.

Dellonda Limited

Kempson Way, Suffolk Business Park, Bury St Edmunds, Suffolk. IP32 7AR



01284 757575



support@dellonda.co.uk



www.dellonda.co.uk