



INSTRUCTIONS FOR: DRUM TONGS 500kg CAPACITY. MODEL No: DG05

Thank you for purchasing a Sealey Product. Manufactured to a high standard this product will, if used according to these instructions and properly maintained, give you years of trouble free performance.



IMPORTANT: PLEASE READ THESE INSTRUCTIONS CAREFULLY. NOTE THE SAFE OPERATIONAL REQUIREMENTS, WARNINGS AND CAUTIONS. USE THIS PRODUCT CORRECTLY AND WITH CARE FOR THE PURPOSE FOR WHICH IT IS INTENDED. FAILURE TO DO SO MAY CAUSE DAMAGE AND/OR PERSONAL INJURY, AND WILL INVALIDATE THE WARRANTY. PLEASE KEEP INSTRUCTIONS SAFE FOR FUTURE USE.

1. SAFETY INSTRUCTIONS

- ✓ Ensure that the drum tongs are in good working order. Take action for immediate repair. *The use of unauthorised parts may be dangerous and will invalidate the warranty.*
 - ✓ Operate the drum tongs in a suitable, well lit work area.
 - ✓ Keep work area clean and tidy and free from unrelated materials.
 - ✓ Ensure all non-essential persons keep a safe distance whilst lifting.
 - ✗ **DO NOT** use to lift personnel.
 - ✗ **DO NOT** carry loads over personnel.
 - ✗ **DO NOT** leave suspended loads unattended.
 - ✗ **DO NOT** use the drum tongs if damaged.
 - ✗ **DO NOT** allow untrained persons to operate the drum tongs.
 - ✗ **DO NOT** exceed the rated capacity of the drum tongs.
 - ✓ When not in use, store in a safe, dry, childproof area.
- 3 **Before** lifting the load ensure that the tongs are engaging with the rim and that there are no obstacles which may snag the load whilst it is being lifted.
- 3 **To avoid injury**, be fully aware of your own and other persons locations in relation to the lifting, and lowering, of the load.
- 7 **DO NOT** use with other attachments.
- 7 **DO NOT** allow the load to swing during lifting/transporting.
- 7 **DO NOT** allow the load to drop suddenly. Lower load with care, ensuring that you are fully aware of the condition of the surface onto which the load is to be placed.
- 7 **DO NOT** use this product to perform a task for which it is not designed.
- 7 **DO NOT** use whilst under the influence of drugs, alcohol or intoxicating medication.

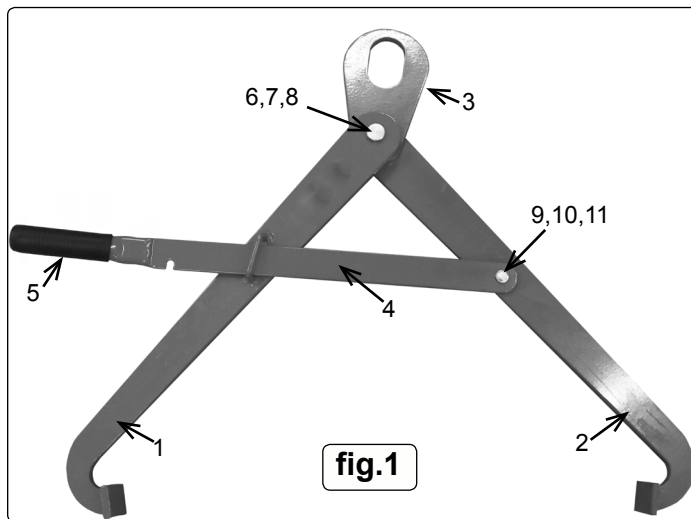
☐ **WARNING! Failure to heed safety and warning instructions may result in damage and/or personal injury and will invalidate the warranty.**

2. INTRODUCTION & SPECIFICATION

- 2.1. Manufactured from heavy-duty steel with welded gripping hooks. Suitable for lifting 205ltr horizontal steel drums with an overhead hoist. Drum release tongs allow the hooks to slot into place and locate under the drum rims. Hooks automatically engage when lifting and disengage once the load is set down. Fitted with semi-automatic release lever.
- 2.2. Maximum Capacity: 500kg
 Drum Size: 205litre
 Weight: 7.6kg

3. ASSEMBLY INSTRUCTIONS/PARTS

- 3.1. Check contents; one of each item required from list. In the unlikely event of missing or damaged parts consult your Sealey dealer immediately.
- 3.1.1 Sandwich the lifting eye (3) between the jaws (1 & 2) and push the pivot pin (6) through the common pivot hole.
- 3.1.2 Place the Ø20 washer (7) on to the projecting pin and retain with the split pin (8).
- 3.1.3 Pass the latching lever (4) through the latch in jaw (1) and fix to jaw (2) with (9,10,11) without clamping.
- 3.1.4 Check the pin jointed assembly is free to self centre under gravity when hung from the lifting eye.



Item	Description
1	Jaw with Latch
2	Jaw
3	Lifting Eye
4	Latching Lever
5	Handle Grip
6	Pivot Pin
7	Ø20 Plain Washer
8	Ø3 x 30 Split Pin
9	Hex Screw M8 X 30
10	Hex Stiff Nut M8
11	Ø8 Plain Washer

4. OPERATION

- 4.1. With the drum tongs hooked up to the crane.
- 4.1.1 Open the jaws until the slot in the latching lever engages with the latch.
- 4.1.2 Transport over to and above the centre of the drum.
- 4.1.3 Lower the jaws to the approximate height, just below the rim.
- 4.1.4 Unlatch the jaws and allow the jaws to close in on the drum.
- 4.1.5 Slowly elevate the crane observing the gripping hooks engagement with the rim of the drum. Adjustments may be required.
- 4.1.6 Raise the drum a minimal height for transporting. Elevate fully, only when the loading point is reached. Hooks disengage automatically once the load is set down.

5. MAINTENANCE

- 5.1. Inspect items after each use for integrity, missing parts and damage.
- 5.2. Clean with moist cloth allow to dry and store indoors.
- 5.3. Lubricate pin joints.



Environmental Protection.
 Recycle unwanted materials instead of disposing of them as waste. All tools, accessories and packaging should be sorted, taken to a recycle centre and disposed of in a manner which is compatible with the environment.

NOTE: It is our policy to continually improve products and as such we reserve the right to alter data, specifications and component parts without prior notice.

IMPORTANT: No liability is accepted for incorrect use of this product.

WARRANTY: Guarantee is 12 months from purchase date, proof of which will be required for any claim.

INFORMATION: For a copy of our latest catalogue and promotions call us on 01284 757525 and leave your full name and address, including postcode.



Sole UK Distributor, Sealey Group,
 Kempson Way, Suffolk Business Park,
 Bury St. Edmunds, Suffolk,
 IP32 7AR



01284 757500



01284 703534



www.sealey.co.uk



sales@sealey.co.uk

