



DRUM GRABS

MODEL NO: **DG03, DG04**

Thank you for purchasing a Sealey product. Manufactured to a high standard, this product will, if used according to these instructions, and properly maintained, give you years of trouble free performance.



IMPORTANT: PLEASE READ THESE INSTRUCTIONS CAREFULLY. NOTE THE SAFE OPERATIONAL REQUIREMENTS, WARNINGS & CAUTIONS. USE THE PRODUCT CORRECTLY AND WITH CARE FOR THE PURPOSE FOR WHICH IT IS INTENDED. FAILURE TO DO SO MAY CAUSE DAMAGE AND/OR PERSONAL INJURY AND WILL INVALIDATE THE WARRANTY. KEEP THESE INSTRUCTIONS SAFE FOR FUTURE USE.

1. SAFETY

- ✓ Ensure that the drum grab is in good working order. Take action for immediate repair. The use of unauthorised parts may be dangerous and will invalidate the warranty.
- ✓ Operate the drum grab in a suitable, well lit work area.
- ✓ Keep work area clean and tidy and free from unrelated materials.
- ✓ Ensure all non-essential persons keep a safe distance whilst lifting.
- ✗ **DO NOT** use to lift personnel.
- ✗ **DO NOT** carry loads over personnel.
- ✗ **DO NOT** leave suspended loads unattended.
- ✗ **DO NOT** use the drum grab if damaged.
- ✗ **DO NOT** allow untrained persons to operate the drum grab.
- ✗ **DO NOT** exceed the rated capacity of the drum grab.
- ✓ When not in use, store in a safe, dry, childproof area.
- ✓ Before lifting the load ensure that the drum grab hooks are engaging with the rim and that there are no obstacles which may snag the load whilst it is being lifted.
- ✓ To avoid injury, be fully aware of your own and other persons locations in relation to the lifting and lowering of the load.
- ✗ **DO NOT** use with other attachments.
- ✗ **DO NOT** allow the load to swing during lifting/transporting.
- ✗ **DO NOT** allow the load to drop suddenly. Lower load with care, ensuring that you are fully aware of the condition of the surface onto which the load is to be placed.
- ✗ **DO NOT** use this product to perform a task for which it is not designed.
- ✗ **DO NOT** use whilst under the influence of drugs, alcohol or intoxicating medication.
- ☐ **WARNING!** Failure to heed safety and warning instructions may result in damage and/or personal injury and will invalidate the warranty.

2. INTRODUCTION

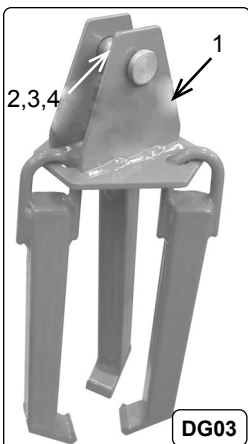
DG03: Manufactured from heavy-duty steel. Features three gripping hooks to provide maximum security and control when lifting. Suitable for lifting 205L vertical plastic and steel drums. Compatible for use with an overhead hoist.

3. SPECIFICATION

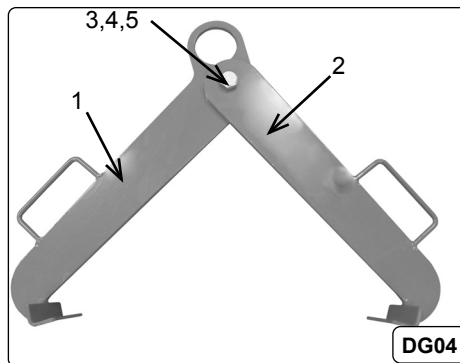
MODEL NO:	DG03	DG04
Capacity:	350kg	500kg
Drum Size:	205L	205L
Nett Weight:	4.5kg	5kg

4. ASSEMBLY

- 4.1. Check contents from lists. In the unlikely event of missing or damaged parts consult your Sealey dealer immediately.
- 4.1.1. If supplied separately, only the pivot pin will require fitting on Model DG03, retained by a washer and a split pin.
- 4.1.2. On Model DG04 the pivot screw is retained by a hex nut and a split pin. **DO NOT** over tighten.



DG03	
Item	Description
1	Drum Grab
2	Pivot Grab
3	Ø20 Plain Washer
4	Ø3 x 30 Split Pin



DG04	
Item	Description
1	Jaw with Lifting Eye
2	Jaw
3	Hex Screw M16 X 30
4	Hex Nut M16
5	Ø2 X 25 Split Pin

5. OPERATION

- 5.1. With the drum grabs hooked up to the crane.
- 5.1.1. Transport over to and above the centre of the drum.
- 5.1.2. Lower the jaws to the approximate height, just below the rim.
- 5.1.3. Slowly elevate the crane observing the gripping hooks engagement with the rim of the drum. Adjustment may be required.
- 5.1.4. Raise the drum to a minimal height for transporting. Elevate fully, only when the loading point is reached. Hooks disengage automatically once the load is set down, but will require intervention to clear.

6. MAINTENANCE

- 6.1. Inspect items after each use for integrity, missing parts and damage.
- 6.2. Clean with moist cloth, allow to dry and store indoors.
- 6.3. Lubricate pin joints.



ENVIRONMENT PROTECTION

Recycle unwanted materials instead of disposing of them as waste. All tools, accessories and packaging should be sorted, taken to a recycling centre and disposed of in a manner which is compatible with the environment. When the product becomes completely unserviceable and requires disposal, drain any fluids (if applicable) into approved containers and dispose of the product and fluids according to local regulations.



REGISTER YOUR
PURCHASE HERE

Note: It is our policy to continually improve products and as such we reserve the right to alter data, specifications and component parts without prior notice.

Important: No Liability is accepted for incorrect use of this product.

Warranty: Guarantee is 12 months from purchase date, proof of which is required for any claim.

Sealey Group, Kempson Way, Suffolk Business Park, Bury St Edmunds, Suffolk. IP32 7AR



01284 757500



sales@sealey.co.uk



www.sealey.co.uk