



BENCH MOUNTED SHEET METAL BENDER

MODEL NO: **DF760.V2**

Thank you for purchasing a Sealey product. Manufactured to a high standard, this product will, if used according to these instructions, and properly maintained, give you years of trouble free performance.

IMPORTANT: PLEASE READ THESE INSTRUCTIONS CAREFULLY. NOTE THE SAFE OPERATIONAL REQUIREMENTS, WARNINGS & CAUTIONS. USE THE PRODUCT CORRECTLY AND WITH CARE FOR THE PURPOSE FOR WHICH IT IS INTENDED. FAILURE TO DO SO MAY CAUSE DAMAGE AND/OR PERSONAL INJURY AND WILL INVALIDATE THE WARRANTY. KEEP THESE INSTRUCTIONS SAFE FOR FUTURE USE.



Refer to instruction manual



Wear protective gloves



Wear protective footwear



Wear eye protection



Wear protective clothing

1. SAFETY

- ✓ Wear approved safety goggles when operating. Your local Sealey stockist offers a complete range of safety equipment.
- ✓ Use the tool only for its intended purpose.
- ✓ Check regularly for damaged parts. **DO NOT** use if any of its components are broken, worn or damaged.
- ✓ Use original Sealey spare parts and accessories. Use of non-recommended spare parts may be dangerous and will invalidate warranty.
- ✗ **DO NOT** operate this tool while under the influence of drugs, alcohol or other impairing medication.
- ✗ **DO NOT** Allow unqualified persons to operate the metal folder. Keep children away from the tool.

2. INTRODUCTION

Bench mounted sheet metal folder, fitted with mounted plates. Capable of bending up to 17 gauge steel sheet. Ideal for the small garage or restoration operation.

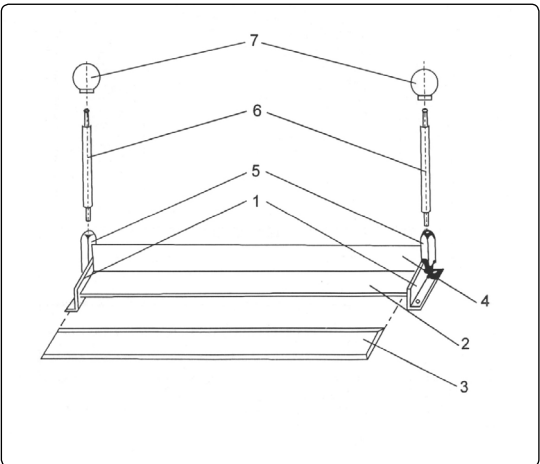
3. SPECIFICATION

Maximum sheet size:.....760mm
 Maximum sheet thickness:17gauge
 Maximum bending angle: 90°
 Length of unit:.....800mm
 Width of unit:150mm
 Height of unit:73mm

4. CONTENTS & ASSEMBLY

- 4.1. Unpack the unit and check that all parts are included and not damaged. Should you experience a problem contact your supplier immediately.
NOTE: Numbers in brackets refer to item numbers on the parts diagram.
- 4.2. The stand (1) should be secured to a work bench using the mounting holes and 4 bolts (3/8" diameter).
- 4.3. Each handle ball (7) should be attached to the handle lever (6) and the handle levers should be placed into the pins (5).

Item	Part No.	Description
1	DF760.V2-01	Stand complete (includes items 1, 2, 4, 5)
3	DF760.V2-03	Pressing Plate
6	DF760.V2-06	Handle lever
7	DF760.V2-07	Handle knob



5. OPERATION

- 5.1. To use the bender, lower the handle lever until the moving plate is parallel to the work bench. Position the material to be bent on the supporting plate (2) and the moving plate (4) and properly align with the edge to be bent up against the back edge of the supporting plate.
- 5.2. Place and secure the pressing plate (3) on top of the supporting plate with the back edge of pressing plate aligned with back edge of supporting plate. Suitable clamps (not included) are required to secure the pressing plate. For our full range of clamps see www.sealey.co.uk
- 5.3. Raise the two handle levers to bend the material to the desired angle.
- 5.4. When the folder is not in use, it should be covered and stored in a dry location.



ENVIRONMENT PROTECTION

Recycle unwanted materials instead of disposing of them as waste. All tools, accessories and packaging should be sorted, taken to a recycling centre and disposed of in a manner which is compatible with the environment. When the product becomes completely unserviceable and requires disposal, drain any fluids (if applicable) into approved containers and dispose of the product and fluids according to local regulations.

Note: It is our policy to continually improve products and as such we reserve the right to alter data, specifications and component parts without prior notice.

Important: No Liability is accepted for incorrect use of this product.

Warranty: Guarantee is 12 months from purchase date, proof of which is required for any claim.

Sealey Group, Kempson Way, Suffolk Business Park, Bury St Edmunds, Suffolk. IP32 7AR



01284 757500



01284 703534



sales@sealey.co.uk



www.sealey.co.uk