



INSTRUCTIONS FOR:
BENCH MOUNTED METAL FOLDER
 Model No: **DF600**

Thank you for purchasing a Sealey product. Manufactured to a high standard this product will, if used according to these instructions and properly maintained, give you years of trouble free performance.



IMPORTANT: PLEASE READ THESE INSTRUCTIONS CAREFULLY. NOTE THE SAFE OPERATIONAL REQUIREMENTS, WARNINGS AND CAUTIONS. USE THIS PRODUCT CORRECTLY AND WITH CARE FOR THE PURPOSE FOR WHICH IT IS INTENDED. FAILURE TO DO SO MAY CAUSE DAMAGE OR PERSONAL INJURY, AND WILL INVALIDATE THE WARRANTY. PLEASE KEEP INSTRUCTIONS SAFE FOR FUTURE USE.

Suitable for mounting in a sturdy bench mounted vice in a small garage or workshop. The folder is capable of bending up to 22 gauge steel sheet. Do not use any other material with this product.

Specifications

- Maximum sheet size 600mm
- Maximum sheet thickness 22 gauge (0.7mm).
- Unit weight 9.2kg
- Maximum dia of steel rod 2mm
- Maximum width of 14 gauge (2mm) steel sheet strip - 100mm
- Note: When bending 14 gauge (2mm) strip or 2mm diameter steel rod, they must be placed close to one of the set screws.

1. SAFETY INSTRUCTIONS

- 3 Wear approved safety goggles when operating the DF600. Your local Sealey dealer offers a complete range of safety equipment.
- 3 Use the tool only for its intended purpose.
- 3 Check all items of the DF600 regularly for damaged parts. Do not use if any of its components are broken, worn or damaged.
- 3 Use original Sealey spare parts and accessories. Use of non-recommended spare parts may be dangerous and will invalidate warranty.
- 7 DO NOT operate this tool while under the influence of drugs, alcohol or other impairing medication.
 allow unqualified persons to operate the metal folder. Keep children away from the tool.

2. ASSEMBLY

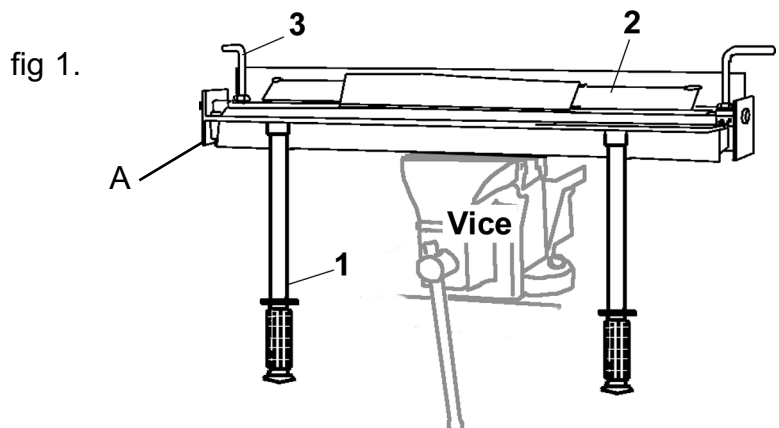
Unpack the unit and check that all parts are included and not damaged. Should you experience a problem contact your supplier immediately.
 Content: 1x Main frame. 2 x Handles. 1 x Folding plate. 2 x Set screws (L-shaped).

- 2.1. Lock the main frame of the metal folder in a heavy duty bench vice (fig1.A) with the moveable folding plate (fig1.2) facing outward.
- 2.2. Attach the top plate using the L-shaped set screws (fig1.3).
- 2.3. Screw the two lever handles (fig1.1) tightly into the threaded sockets of the folding plate (2) these should now face toward you.
- 2.4. Ensure the assembled folder is parallel and tight in the vice.
- 2.5. Re-check your installation before use.

3. USE AND OPERATION

- 3.1. Ensure the unit is securely held in the vice.
- 3.2. Insert a test piece of sheet metal in the folder.
- 3.3. Secure the sheet between the folding lips by tightening the two L-shaped set screws (3) to secure the metal.
- 3.4. Firmly grip the two handles and raise the folder to create the fold.
- 3.5. When satisfied with the test results, proceed with the actual workpiece.
- 3.6. Repeat the above steps 3.1 - 3.4 for each new workpiece.

DF600 PART LIST		
No	Description	Pcs
1	Lever with rubber handle	2
2	Folding plate	1
3	Set screw	2



MODIFICATIONS:

It is our policy to continually improve products and as such we reserve the right to alter data, specifications and component parts without prior notice.

IMPORTANT: No responsibility is accepted for incorrect use of this product.

WARRANTY: Guarantee is 12 months from purchase date. Proof of purchase will be required for any claim.

INFORMATION: Please call us for a copy of our latest catalogue

DF600 - 260598