

Thank you for purchasing a Sealey product. Manufactured to a high standard, this product will, if used according to these instructions, and properly maintained, give you years of trouble free performance.

**IMPORTANT:** PLEASE READ THESE INSTRUCTIONS CAREFULLY. NOTE THE SAFE OPERATIONAL REQUIREMENTS, WARNINGS & CAUTIONS. USE THE PRODUCT CORRECTLY AND WITH CARE FOR THE PURPOSE FOR WHICH IT IS INTENDED. FAILURE TO DO SO MAY CAUSE DAMAGE AND/OR PERSONAL INJURY AND WILL INVALIDATE THE WARRANTY. KEEP THESE INSTRUCTIONS SAFE FOR FUTURE USE.



Refer to instruction manual



Wear eye protection

### 1. SAFETY

- ❑ **WARNING!** Ensure Health and Safety, local authority and general workshop practice regulations are adhered to when using tools.
- ✓ Maintain the tool components in good and clean condition for best and safest performance.
- ✓ Ensure that a vehicle which has been jacked up is adequately supported with axle stands.
- ✓ Wear approved eye protection. A full range of personal safety equipment is available from your Sealey stockist.
- ✓ Wear suitable clothing to avoid snagging. **DO NOT** wear jewellery and tie back long hair.
- ✓ Keep children and other unauthorised persons away from the working area.
- ✓ Ensure there is adequate lighting prior to using the tool.
- ✗ **DO NOT** use the kit if any parts are missing or damaged.
- ✗ **DO NOT** use tool for any purpose other than that for which it is designed.

**IMPORTANT:** These instructions are intended as a guide only. Always refer to the vehicle manufacturer's service instructions or a proprietary manual to establish the current procedure.

### 2. INTRODUCTION

Designed for the installation and removal of slotted bushes on HGV spring suspension. Includes a 12tonne hydraulic cylinder (supplied without hydraulic pump). Use in conjunction with Hydraulic Pump Model No's; RE83/840/CWH (Air/Hydraulic) or RE97.10-01 (Hydraulic). Installation protects the bush using the parallel working tension elements. Suitable for use on the vehicle. Safe and easy to use.



### 3. CONTENTS/APPLICATIONS

Part Number	Description	Application
CV040.02	Bush dia. 105mm (Marked No. 3)	MAN (410/414/460) Renault (430/450/460)
CV040.03	Bush dia. 105mm (Marked No. 4)	Volvo FM12
CV040.04	Bush dia. 66mm (Marked No. 5) stored under 12	MAN (410/414/460)
CV040.05	Bush dia. 59mm (Marked No. 6)	Renault (430/450/460)
CV040.06	Bush dia. 49mm (Marked No. 7)	Volvo FM12
CV040.07	Bush dia. 78mm (Marked No. 12)	Volvo FM12
CV040.08	Bush dia. 78mm (Marked No. 13)	Renault (430/450/460)
CV040.09	Bush dia. 98mm (Marked No. 14)	MAN (410/414/460)
CV040.10	Clamping Ring dia. 68mm (Marked No. 9)	MAN (410/414/460)
CV040.11	Clamping Ring dia. 60mm (Marked No. 10)	Renault (430/450/460)
CV040.12	Clamping Ring dia. 51mm (Marked No. 11)	Volvo FM12
CV040.13	Installation Pad dia. 108mm (Marked No. 15)	Volvo FM12
CV040.14	Installation Pad dia. 103mm (Marked No. 16)	Renault (430/450/460)
CV040.15	Installation Pad dia. 108mm (Marked No. 17)	MAN (410/414/460)
CV040.16	Threaded Stud 'Short' M16x2.0	
CV040.17	Threaded Stud 'Long' M16x2.0	
CV040.18	Clamp Sleeve Set	
CV040.19	Hydraulic Ram	

CV040.20	Washer (Set of 4)	
CV040.21	Nut M12x1.75 (Set of 4)	
CV040.22	Hex Head Screw M6x1.0	
CV040.23	Hex Head Screw M12x1.75	

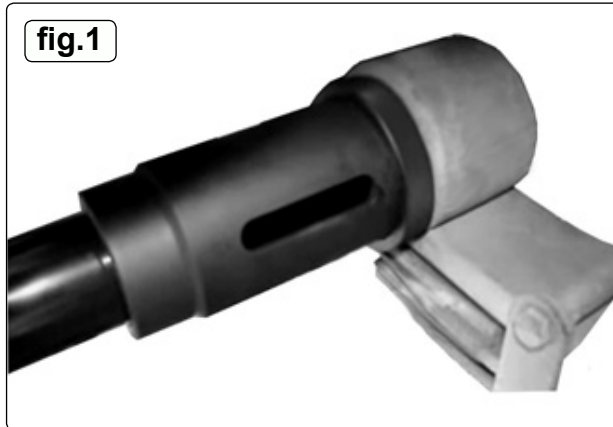
## 4. OPERATION

This comprehensive time saving tool is designed to remove and install the slotted bushes found in the suspension springs on a range of Renault, MAN and Volvo vehicles without the need to remove the suspension spring. (See application table) The slotted bush needs compressing during installation due to its working tension.

The hydraulic ram supplied is to be used with a hydraulic pump (not supplied) such as the Sealey RE97-10-01.

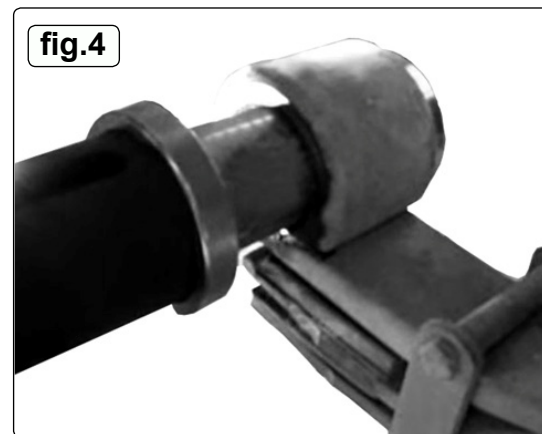
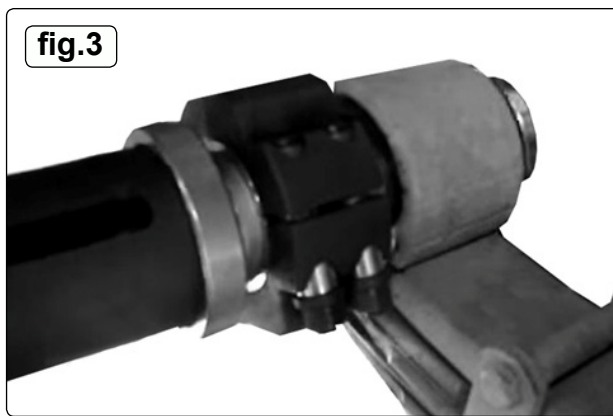
### 4.1. REMOVAL

- 4.1.1. Assemble the components as per the applications table for the vehicle being repaired and connect the ram to the RE97-10-01. (fig.1)  
Operate the pump to extract the bush, progress can be viewed through the slot in the side of the tool.



### 4.2. INSTALLATION

- 4.2.1. Select the appropriate insertion block for the application and assemble around the new suspension bush, tighten the clamping bolts. (fig.2).
- 4.2.2. Fit the bush clamp to the insertion tool and assemble the tool using the appropriate insertion block for the application.
- 4.2.3. Operate the pump to insert the bush into the suspension spring until the bush clamp comes into contact with the spring. (fig.3)
- 4.2.4. Remove the bush clamp (fig.4) and continue to operate the pump until the bush is completely installed.



#### ENVIRONMENT PROTECTION

Recycle unwanted materials instead of disposing of them as waste. All tools, accessories and packaging should be sorted, taken to a recycling centre and disposed of in a manner which is compatible with the environment. When the product becomes completely unserviceable and requires disposal, drain any fluids (if applicable) into approved containers and dispose of the product and fluids according to local regulations.

**Note:** It is our policy to continually improve products and as such we reserve the right to alter data, specifications and component parts without prior notice.

**Important:** No Liability is accepted for incorrect use of this product.

**Warranty:** Guarantee is 12 months from purchase date, proof of which is required for any claim.

Sealey Group, Kempson Way, Suffolk Business Park, Bury St Edmunds, Suffolk. IP32 7AR

01284 757500

01284 703534

sales@sealey.co.uk

www.sealey.co.uk