



# SACK TRUCK

MODEL NO: **CST998**

Thank you for purchasing a Sealey product. Manufactured to a high standard, this product will, if used according to these instructions, and properly maintained, give you years of trouble free performance.

**IMPORTANT:** PLEASE READ THESE INSTRUCTIONS CAREFULLY. NOTE THE SAFE OPERATIONAL REQUIREMENTS, WARNINGS & CAUTIONS. USE THE PRODUCT CORRECTLY AND WITH CARE FOR THE PURPOSE FOR WHICH IT IS INTENDED. FAILURE TO DO SO MAY CAUSE DAMAGE AND/OR PERSONAL INJURY AND WILL INVALIDATE THE WARRANTY. KEEP THESE INSTRUCTIONS SAFE FOR FUTURE USE.



Refer to instructions

## 1. SAFETY

- ✓ Always load evenly with the centre of gravity of the load as near the centre and rear of the plate as possible.
- ✓ Obtain additional support for large or wide loads to prevent tipping.
- ✗ **DO NOT** overload the truck - see Specification.
- ✗ **DO NOT** leave unattended, especially when loaded, unless the wheels are chocked or the truck is otherwise secured.
- ✗ **DO NOT** use truck on curbs or steps - use a ramp.
- ✗ **DO NOT** allow others to ride on the truck.
- ✗ **DO NOT** use the truck if any part is damaged, paying particular attention to the wheels.

## 2. INTRODUCTION

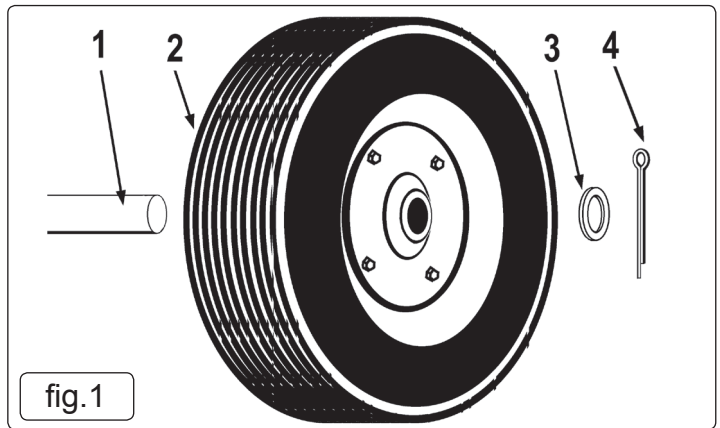
Extra strong tubular steel frame construction. Steel centred pneumatic wheels allow transport over the roughest terrain. Features 'P' handle, highback and flat loading capabilities.

## 3. SPECIFICATION

Model No. ....	<b>CST998</b>
Max. Load. ....	.300kg
Wheel Diameter. ....	250mm
Wheel Thickness. ....	90mm
Height. ....	1300mm
Overall Width. ....	550mm
Platform Depth. ....	230mm
Nett Weight. ....	13.88kg

## 4. ASSEMBLY

- 4.1 **Wheels.** Ensure axle is clean from dust and dirt to allow free movement of the wheel.
- 4.2 Slide the wheel (Fig.1.2) onto the axle (Fig.1.1), followed by the washer (Fig.1.3), complete by pushing the split pin (Fig.1.4) through the hole in the end of the axle and bending over to retain.
- 4.3 Repeat for the other side.



Parts support is available for this product. Please log on to [www.sealey.co.uk](http://www.sealey.co.uk), email [sales@sealey.co.uk](mailto:sales@sealey.co.uk) or telephone 01284 757500



### ENVIRONMENT PROTECTION

Recycle unwanted materials instead of disposing of them as waste. All tools, accessories and packaging should be sorted, taken to a recycling centre and disposed of in a manner which is compatible with the environment. When the product becomes completely unserviceable and requires disposal, drain any fluids (if applicable) into approved containers and dispose of the product and fluids according to local regulations.

**Note:** It is our policy to continually improve products and as such we reserve the right to alter data, specifications and component parts without prior notice.

**Important:** No Liability is accepted for incorrect use of this product.

**Warranty:** Guarantee is 12 months from purchase date, proof of which is required for any claim.

Sealey Group, Kempson Way, Suffolk Business Park, Bury St Edmunds, Suffolk. IP32 7AR

01284 757500

01284 703534

[sales@sealey.co.uk](mailto:sales@sealey.co.uk)

[www.sealey.co.uk](http://www.sealey.co.uk)