



250KG FOLDING SACK TRUCK WITH PNEUMATIC TYRES

MODEL NO: **CST990.V4**

Thank you for purchasing a Sealey product. Manufactured to a high standard, this product will, if used according to these instructions, and properly maintained, give you years of trouble free performance.

IMPORTANT: PLEASE READ THESE INSTRUCTIONS CAREFULLY. NOTE THE SAFE OPERATIONAL REQUIREMENTS, WARNINGS & CAUTIONS. USE THE PRODUCT CORRECTLY AND WITH CARE FOR THE PURPOSE FOR WHICH IT IS INTENDED. FAILURE TO DO SO MAY CAUSE DAMAGE AND/OR PERSONAL INJURY AND WILL INVALIDATE THE WARRANTY. KEEP THESE INSTRUCTIONS SAFE FOR FUTURE USE.



Refer to instructions

1. SAFETY

- ✓ Always load evenly with the centre of gravity of the load as near the centre and rear of the plate as possible.
- ✓ Obtain additional support for large or wide loads to prevent tipping.
- ✗ **DO NOT** overload the truck - see Specification.
- ✗ **DO NOT** leave unattended, especially when loaded, unless the wheels are chocked or the truck is otherwise secured.
- ✗ **DO NOT** use truck on uneven ground and **DO NOT** run over curbs or steps - use a ramp.
- ✗ **DO NOT** allow others to ride on the truck.
- ✗ **DO NOT** use the truck if any part is damaged, paying particular attention to the wheels.

2. INTRODUCTION

Extra-strong tubular steel frame construction. Galvanized steel centred pneumatic wheels allow transport over the roughest terrain. Features extra foldaway toe plate for added extension when transporting larger loads. Ideal for delivery drivers, farmers or builders.

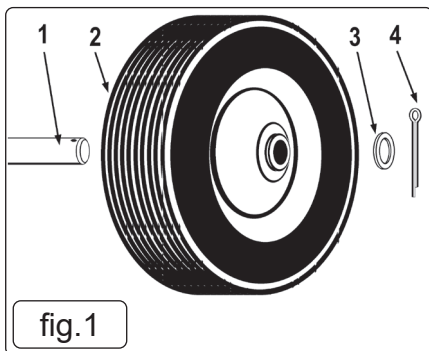
3. SPECIFICATION

Model No:.....**CST990.V4**
 Capacity:..... 250kg
 Height(s):..... 1249mm
 Overall Width:..... 650mm
 Platform Depth:..... Fixed; 325mm, Folding; 620mm
 Wheel Size:..... Ø250mm
 Wheel Width:..... 90mm

4. ASSEMBLY

4.1. WHEELS

- 4.1.1. Ensure each axle is clean from dust and dirt to allow free movement of the wheel. You will need to slide the axle through the frame bushes first.
- 4.1.2. Slide the wheel (fig.1.2) onto the axle (fig.1.1), followed by the washer (fig.1.3) and complete by pushing the split pin (fig.1.4) through the hole in the end of the axle and bending over to retain.
- 4.1.3. Repeat for the other side.



Parts support is available for this product. To obtain parts, please log on to www.sealey.co.uk, email sales@sealey.co.uk or telephone 01284 757500



ENVIRONMENT PROTECTION

Recycle unwanted materials instead of disposing of them as waste. All tools, accessories and packaging should be sorted, taken to a recycling centre and disposed of in a manner which is compatible with the environment. When the product becomes completely unserviceable and requires disposal, drain any fluids (if applicable) into approved containers and dispose of the product and fluids according to local regulations.



REGISTER YOUR
PURCHASE HERE

Note: It is our policy to continually improve products and as such we reserve the right to alter data, specifications and component parts without prior notice. Please note that other versions of this product are available. If you require documentation for alternative versions, please email or call our technical team on technical@sealey.co.uk or 01284 757505.

Important: No Liability is accepted for incorrect use of this product.

Warranty: Guarantee is 12 months from purchase date, proof of which is required for any claim.

Sealey Group, Kempson Way, Suffolk Business Park, Bury St Edmunds, Suffolk. IP32 7AR



01284 757500



sales@sealey.co.uk



www.sealey.co.uk