



# SACK TRUCK 3-IN-1 PNEUMATIC TYRES 250KG CAPACITY

MODEL NO: **CST989.V3**

Thank you for purchasing a Sealey product. Manufactured to a high standard, this product will, if used according to these instructions, and properly maintained, give you years of trouble free performance.

**IMPORTANT:** PLEASE READ THESE INSTRUCTIONS CAREFULLY. NOTE THE SAFE OPERATIONAL REQUIREMENTS, WARNINGS & CAUTIONS. USE THE PRODUCT CORRECTLY AND WITH CARE FOR THE PURPOSE FOR WHICH IT IS INTENDED. FAILURE TO DO SO MAY CAUSE DAMAGE AND/OR PERSONAL INJURY AND WILL INVALIDATE THE WARRANTY. KEEP THESE INSTRUCTIONS SAFE FOR FUTURE USE.



Refer to instructions

## 1. SAFETY

- ✓ Always load evenly with the centre of gravity of the load as near the centre and rear of the plate as possible.
- ✓ Obtain additional support for large or wide loads to prevent tipping.
- ✗ **DO NOT** overload the truck - see Specification.
- ✗ **DO NOT** leave unattended, especially when loaded, unless the wheels are chocked or the truck is otherwise secured.
- ✗ **DO NOT** use truck on uneven ground and **DO NOT** run over curbs or steps - use a ramp.
- ✗ **DO NOT** allow others to ride on the truck.
- ✗ **DO NOT** use the truck if any part is damaged, paying particular attention to the wheels.

## 2. INTRODUCTION

Tubular steel framework with heavy-duty pneumatic tyres allows transport of load over rough terrain. Suitable for use as a traditional sack truck or at 45° with support castors in position. For maximum load carrying capability use in horizontal position. Features fold out load restrainer for use when truck is in horizontal position. Adapts between configurations in seconds.

## 3. SPECIFICATION

Model No: ..... **CST898.V3**  
 Capacity: ..... 250kg  
 Height(s): ..... 1275mm  
 Overall Width: ..... 600mm  
 Platform Depth: ..... 600/620mm  
 Wheel Size: ..... Ø250mm  
 Wheel Width: ..... 90mm  
 Nett Weight: ..... 19kg

## 4. ASSEMBLY

- 4.1. Make sure the axle is free from dust and dirt to allow free rotation of the wheel.
- 4.2. Place spacer (fig.1.2) onto axle first. Slide the wheel (fig.1.3) onto the axle (fig.1.1) followed by a washer (fig.1.4). Push a split pin (fig.1.5) through the hole in the end of the axle and bend over the ends in order to secure the whole assembly.
- 4.3. Push axle through frame, repeat for the other side.

## 5. OPERATION

- 5.1. The truck can be used in three different configurations as shown in (figs.2.3 & 4).
- 5.2. Standard Sack Truck. To operate as a two wheel sack truck ensure that the castor wheels and secondary frames are secured flat against the main frame. The castor wheels should be turned sideways and the loop handle should be resting in the lower storage bracket with the locking pin in place, as shown in (fig.2).
- 5.3. Sack Truck supported at 45°. To use as a 45° sack truck release the secondary frame and wheels by removing the locking pin from the lower bracket. Take hold of the loop handle with one hand and tip the truck towards you with the other hand until the loop handle can be placed into the upper bracket and secured with the locking pin, as shown in (fig.3).
- 5.4. Flat bed truck. To use as a flat bed truck release the secondary frame and castor wheels by removing the locking pin from the securing bracket. Take hold of the loop handle and tip it towards you so that it clears the square tube at the top of the main frame between the black handles. With the other hand lower the main frame until the square tube comes to rest on the slotted bracket about 12cm above the castor wheels, as shown in (fig.4). Fold up the load restraint at the other end of the frame until it rests against the platform.
- 5.5. Manoeuvre the loaded trolley using the loop handle only. **DO NOT** lift the truck by the black handles when used in flat bed configuration.
  - **WARNING!** When changing truck positions keep fingers well clear of all pinch points.

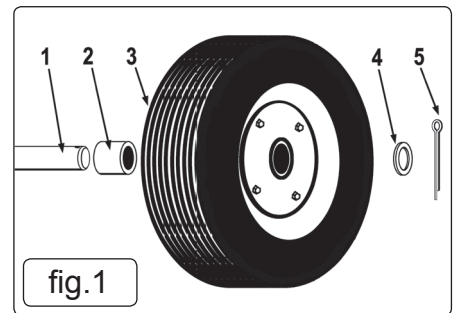


fig.1



fig.2



Parts support is available for this product. Please log on to [www.sealey.co.uk](http://www.sealey.co.uk), email [sales@sealey.co.uk](mailto:sales@sealey.co.uk) or telephone 01284 757500



**ENVIRONMENT PROTECTION**

Recycle unwanted materials instead of disposing of them as waste. All tools, accessories and packaging should be sorted, taken to a recycling centre and disposed of in a manner which is compatible with the environment. When the product becomes completely unserviceable and requires disposal, drain any fluids (if applicable) into approved containers and dispose of the product and fluids according to local regulations.

**Note:** It is our policy to continually improve products and as such we reserve the right to alter data, specifications and component parts without prior notice.

**Important:** No Liability is accepted for incorrect use of this product.

**Warranty:** Guarantee is 12 months from purchase date, proof of which is required for any claim.

**Sealey Group, Kempson Way, Suffolk Business Park, Bury St Edmunds, Suffolk. IP32 7AR**



**01284 757500**



**01284 703534**



**[sales@sealey.co.uk](mailto:sales@sealey.co.uk)**



**[www.sealey.co.uk](http://www.sealey.co.uk)**