

Thank you for purchasing a Sealey product. Manufactured to a high standard this product will, if used according to these instructions and properly maintained, give you years of trouble free performance.

**⚠ IMPORTANT: PLEASE READ THESE INSTRUCTIONS CAREFULLY. NOTE THE SAFE OPERATIONAL REQUIREMENTS, WARNINGS AND CAUTIONS. USE THE PRODUCT CORRECTLY AND WITH CARE FOR THE PURPOSE FOR WHICH IT IS INTENDED. FAILURE TO DO SO MAY CAUSE DAMAGE AND/OR PERSONAL INJURY AND WILL INVALIDATE THE WARRANTY. PLEASE KEEP INSTRUCTIONS SAFE FOR FUTURE USE.**

### 1. SAFETY INSTRUCTIONS

- ✓ Always load evenly with the centre of gravity of the load as low as possible.
- ✓ Use additional support for large or wide loads to prevent movement.
- x **DO NOT** overload the truck - maximum capacity 150kg.
- ✓ When used on steps or stairs ensure that the load is well within your capability to lift and control. Make multiple trips rather than exceed your lifting capabilities.
- x **DO NOT** allow others to ride on the truck.
- x **DO NOT** use the truck if any part is damaged.

### 2. SPECIFICATION

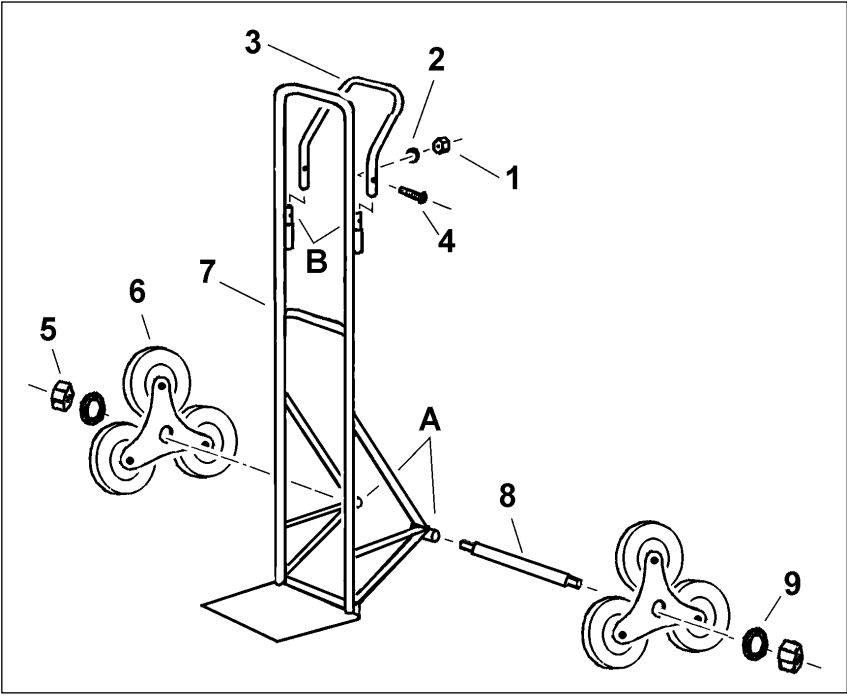
Max. Load . . . . .	150kg	Height . . . . .	1300mm
Wheel Diameter . . . . .	165mm	Width (overall) . . . . .	510mm
Wheel Width . . . . .	30mm	Platform Depth . . . . .	230mm



### 3. ASSEMBLY

- Note: Numbers/Letters in brackets refer to the parts diagram below.**
- 3.1. Slide axle (8) through tubes (A).
  - 3.2. Fit wheel assembly (6) to each end of axle and retain with plain washers (9) and nuts (5).
  - 3.3. Slide handle (3) over tubes (B) and retain with bolts (4), plain washers (2) and nuts (1).

### 4. PARTS LIST



Item	Part No.	Description
1	CST985/01	Nut
2	CST985/02	Plain Washer
3	CST985/03	Handle
4	CST985/04	Bolt
5	CST985/05	Nut
6	CST985/06	Wheel Assembly
7	CST985/07	Frame
8	CST985/08	Axle
9	CST985/09	Plain Washer

**NOTE:** It is our policy to continually improve products and as such we reserve the right to alter data, specifications and component parts without prior notice.  
**IMPORTANT:** No liability is accepted for incorrect use of product.  
**WARRANTY:** Guarantee is 12 months from purchase date, proof of which will be required for any claim.  
**INFORMATION:** For a copy of our latest catalogue and promotions call us on 01284 757525 and leave your full name and address, including your postcode.