



# SACK TRUCK PNEUMATIC TYRES ALUMINIUM 120KG CAPACITY

MODEL NO: **CST979**

Thank you for purchasing a Sealey product. Manufactured to a high standard, this product will, if used according to these instructions, and properly maintained, give you years of trouble free performance.

**IMPORTANT:** PLEASE READ THESE INSTRUCTIONS CAREFULLY. NOTE THE SAFE OPERATIONAL REQUIREMENTS, WARNINGS & CAUTIONS. USE THE PRODUCT CORRECTLY AND WITH CARE FOR THE PURPOSE FOR WHICH IT IS INTENDED. FAILURE TO DO SO MAY CAUSE DAMAGE AND/OR PERSONAL INJURY AND WILL INVALIDATE THE WARRANTY. KEEP THESE INSTRUCTIONS SAFE FOR FUTURE USE.



Refer to instructions

## 1. SAFETY

- ✓ Always load evenly with the centre of gravity of the load as near the centre and rear of the plate as possible.
- ✓ Obtain additional support for large or wide loads to prevent tipping.
- ✗ **DO NOT** overload the truck - see Specification.
- ✗ **DO NOT** leave unattended, especially when loaded, unless the wheels are chocked or the truck is otherwise secured.
- ✗ **DO NOT** use truck on uneven ground and do not run over curbs or steps - use a ramp.
- ✗ **DO NOT** allow others to ride on the truck.
- ✗ **DO NOT** use the truck if any part is damaged, paying particular attention to the wheels.

## 2. INTRODUCTION

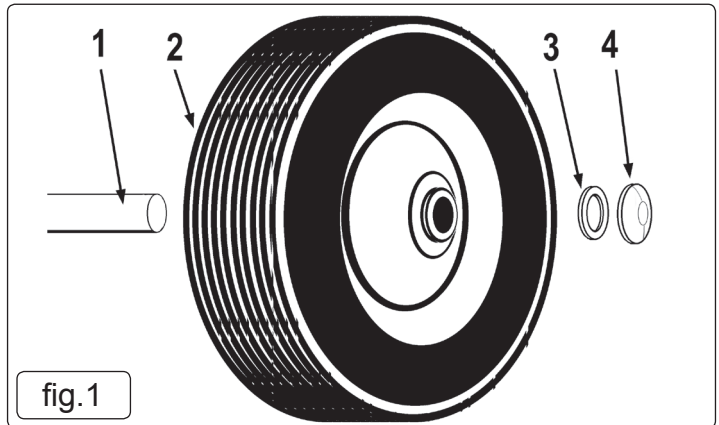
Lightweight aluminium construction, weighs only 6kg with a carrying capacity of 120kg. Fitted with Ø250mm pneumatic wheels for easy movement over rough terrain. Features composite grip handles for added comfort and stability.

## 3. SPECIFICATION

Model No: ..... CST979  
 Capacity: ..... 120kg  
 Wheel Diameter: ..... Ø250mm  
 Wheel Thickness: ..... .90mm  
 Height: ..... 1170mm  
 Overall Width: ..... .465mm  
 Platform Depth: ..... .200mm  
 Nett Weight: ..... .6kg

## 4. ASSEMBLY

- 4.1 **WHEELS.** Ensure axle is clean from dust and dirt to allow free movement of the wheel.
- 4.2 Slide the wheel (fig.1.2) onto the axle, followed by the washer (fig.1.3), complete by pushing the dome cap (fig.1.4) over the axle, a soft mallet may be need to seat the cap correctly.
- 4.3 Repeat for the other side.



Parts support is available for this product. Please log on to [www.sealey.co.uk](http://www.sealey.co.uk), email [sales@sealey.co.uk](mailto:sales@sealey.co.uk) or telephone 01284 757500



### ENVIRONMENT PROTECTION

Recycle unwanted materials instead of disposing of them as waste. All tools, accessories and packaging should be sorted, taken to a recycling centre and disposed of in a manner which is compatible with the environment. When the product becomes completely unserviceable and requires disposal, drain any fluids (if applicable) into approved containers and dispose of the product and fluids according to local regulations.

**Note:** It is our policy to continually improve products and as such we reserve the right to alter data, specifications and component parts without prior notice.

**Important:** No Liability is accepted for incorrect use of this product.

**Warranty:** Guarantee is 12 months from purchase date, proof of which is required for any claim.

Sealey Group, Kempson Way, Suffolk Business Park, Bury St Edmunds, Suffolk. IP32 7AR



01284 757500



01284 703534



[sales@sealey.co.uk](mailto:sales@sealey.co.uk)



[www.sealey.co.uk](http://www.sealey.co.uk)