



# CHAINSAW TEETH SHARPENER

MODEL NO: CS01S

Thank you for purchasing a Sealey product. Manufactured to a high standard, this product will, if used according to these instructions, and properly maintained, give you years of trouble free performance.

**IMPORTANT:** PLEASE READ THESE INSTRUCTIONS CAREFULLY. NOTE THE SAFE OPERATIONAL REQUIREMENTS, WARNINGS & CAUTIONS. USE THE PRODUCT CORRECTLY AND WITH CARE FOR THE PURPOSE FOR WHICH IT IS INTENDED. FAILURE TO DO SO MAY CAUSE DAMAGE AND/OR PERSONAL INJURY AND WILL INVALIDATE THE WARRANTY. KEEP THESE INSTRUCTIONS SAFE FOR FUTURE USE.



Refer to instruction manual



Wear eye protection



Wear protective gloves

## 1. SAFETY

- ✓ Maintain the saw blade sharpener in good condition (use an authorised service agent).
- ✓ Replace or repair damaged parts. Use recommended parts only. Unauthorised parts may be dangerous and will invalidate the warranty.
- ✓ Keep the clean for best and safest performance and check moving parts alignment regularly.
- ✓ **WARNING!** Before each use check that the cutting wetstone is secure and that it is not worn or damaged. Test the grinding wheel by running it for a minute prior to its use. **NOTE:** Only competent persons should attempt to change wetstones.
- ✓ Ensure that replacement wetstones are not damaged in any way - cracks or deformations etc. Also check the mounting flanges to check that they are not deformed, burred or chipped. **DO NOT** tamper with a wetstone in order to adapt it to a different size holder.
- ❑ **WARNING!** Never operate the sharpener without the grinding wheel cover in place.
- ❑ **WARNING!** This machine is designed to sharpen chain saw chains. **DO NOT** attempt to sharpen any other tools and **DO NOT** attempt to grind any other objects.
- ❑ **WARNING!** Wear approved safety eye protection, ear defenders and gloves.
- ✓ Remove ill fitting clothing. Remove ties, watches, rings and other loose jewellery and contain long hair.
- ✓ Maintain correct balance and footing. Ensure the floor is not slippery and wear non-slip shoes.
- ✓ Keep children and unauthorised persons away from the work area.
- ✗ **DO NOT** allow untrained persons to operate the saw blade sharpener.
- ✗ **DO NOT** get the sharpener wet, or use in damp or wet locations or areas where there is condensation.
- ✗ **WARNING! DO NOT** use the saw blade sharpener where there are flammable liquids, solids or gases such as paint solvents and including waste wiping rags etc.

## 2. INTRODUCTION

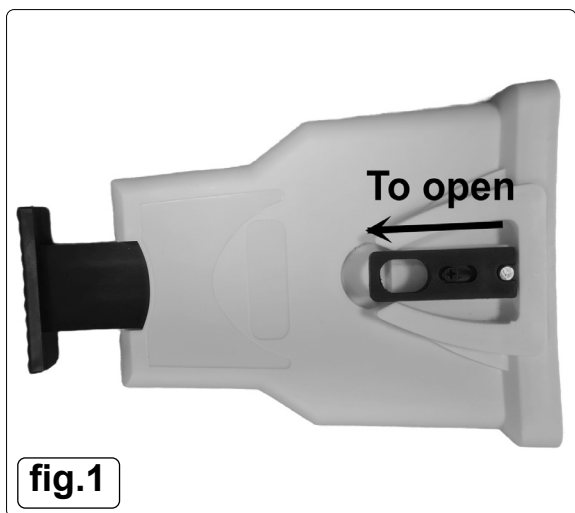
Lightweight and portable for use anywhere on 14" to 20" chainsaws. Single sharpening stone in unit. (Supplied with 2x spare whetstones.) A few seconds and the teeth will be back to full sharpness. Just a few drops of oil and it is ready to use.

## 3. SPECIFICATION

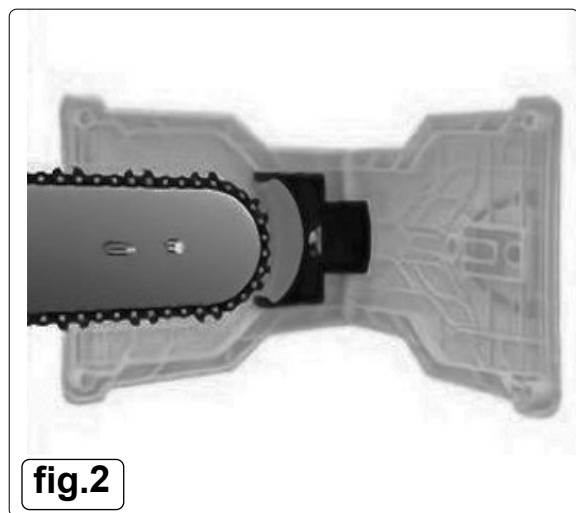
Model No:..... CS01S  
 Chain Sizes..... 14, 16, 18, 20"  
 Consumable:Parts:Sharpening Whetstone..... Model No. CS01SW



## 4. OPERATION



Open chainsaw sharpener fig.1.



Attach on two holes of the sharpener fig.2.

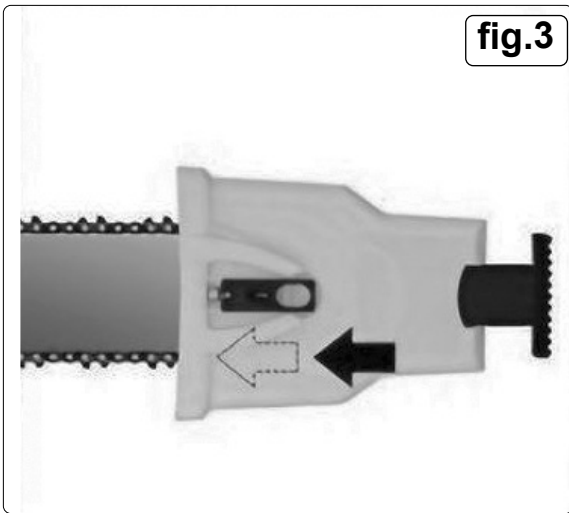


fig.3

Close sharpener and push lock fig.3.



fig.4

Run chainsaw whilst gently squeezing the chainsaw sharpener down until the teeth touch the whetstone for 3 to 5 seconds.

## 5. MAINTENANCE

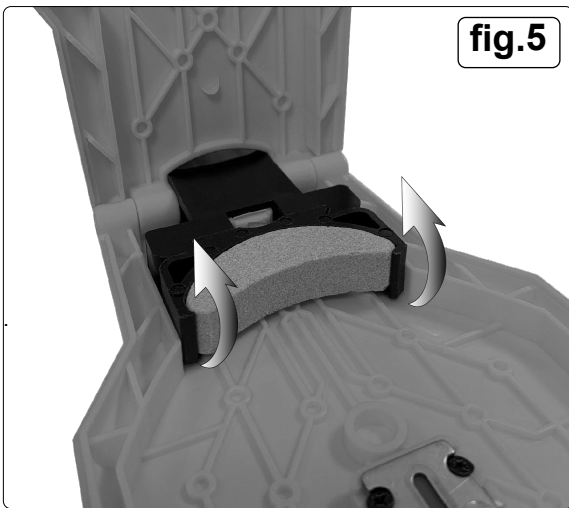


fig.5

Remove whetstone as per fig.5 and reverse the operation to refit new whetstone.



### ENVIRONMENT PROTECTION

Recycle unwanted materials instead of disposing of them as waste. All tools, accessories and packaging should be sorted, taken to a recycling centre and disposed of in a manner which is compatible with the environment. When the product becomes completely unserviceable and requires disposal, drain any fluids (if applicable) into approved containers and dispose of the product and fluids according to local regulations.

**Note:** It is our policy to continually improve products and as such we reserve the right to alter data, specifications and component parts without prior notice.

**Important:** No Liability is accepted for incorrect use of this product.

**Warranty:** Guarantee is 12 months from purchase date, proof of which is required for any claim.



Sealey Group, Kempson Way, Suffolk Business Park, Bury St Edmunds, Suffolk. IP32 7AR

01284 757500

sales@sealey.co.uk

www.sealey.co.uk