

Thank you for purchasing a Sealey product. Manufactured to a high standard this product will, if used according to these instructions and properly maintained, give you years of trouble free performance.



**IMPORTANT: PLEASE READ THESE INSTRUCTIONS CAREFULLY. NOTE THE SAFE OPERATIONAL REQUIREMENTS, WARNINGS & CAUTIONS. USE THE PRODUCT CORRECTLY AND WITH CARE FOR THE PURPOSE FOR WHICH IT IS INTENDED. FAILURE TO DO SO MAY CAUSE DAMAGE AND/OR PERSONAL INJURY AND WILL INVALIDATE THE WARRANTY. PLEASE KEEP INSTRUCTIONS SAFE FOR FUTURE USE.**

### 1. SAFETY INSTRUCTIONS

#### 1.1. ELECTRICAL SAFETY

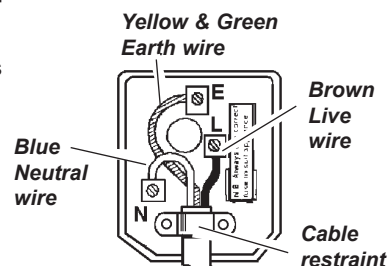
**WARNING! It is the user's responsibility to read, understand and comply with the following:**

You must check all electrical equipment and appliances to ensure they are safe before using. You must inspect power supply leads, plugs and all electrical connections for wear and damage. You must ensure the risk of electric shock is minimised by the installation of appropriate safety devices. An RCCB (Residual Current Circuit Breaker) should be incorporated in the main distribution board. We also recommend that an RCD (Residual Current Device) is used with all electrical products. It is particularly important to use an RCD with portable products that are plugged into an electrical supply not protected by an RCCB. If in doubt consult a qualified electrician. You may obtain a Residual Current Device by contacting your Sealey dealer. **You must** also read and understand the following instructions concerning electrical safety.

- 1.1.1. The **Electricity At Work Act 1989** requires all portable electrical appliances, if used on business premises, to be tested by a qualified electrician, using a Portable Appliance Tester (PAT), at least once a year.
- 1.1.2. The **Health & Safety at Work Act 1974** makes owners of electrical appliances responsible for the safe condition of the appliance and the safety of the appliance operator. **If in any doubt about electrical safety, contact a qualified electrician.**
- 1.1.3. Ensure the insulation on all cables and the product itself is safe before connecting to the mains power supply. See 1.1.1. & 1.1.2. above and use a Portable Appliance Tester (PAT).
- 1.1.4. Ensure that cables are always protected against short circuit and overload.
- 1.1.5. Regularly inspect power supply, leads, plugs for wear and damage and all electrical connections to ensure that none are loose.
- 1.1.6. **Important:** Ensure that the product voltage matches the power supply to be used.
- 1.1.7. **DO NOT** pull power plugs from sockets by the power cable.
- 1.1.8. **DO NOT** use worn or damaged leads, plugs or connections. Immediately replace or have repaired by a qualified electrician. A U.K. 3 pin plug with ASTA/BS approval is fitted. In case of damage, remove and fit a new plug according to the following instructions (discard old plug safely).

(UK only - see diagram at right). **Ensure the unit is correctly earthed via a three-pin plug.**

- a) **Connect the GREEN/YELLOW earth wire to the earth terminal 'E'.**
- b) **Connect the BROWN live wire to live terminal 'L'.**
- c) **Connect the BLUE neutral wire to the neutral terminal 'N'.**
- d) **After wiring, check that there are no bare wires, that all wires have been correctly connected, that cable outer insulation extends beyond the cable restraint and that the restraint is tight.**



**FUSE RATINGS**  
CRM10.V3 - 13 AMP  
CRM15.V3 - 13 AMP

#### 1.2. GENERAL SAFETY

- ✓ Familiarise yourself with the application and limitations of the reel, as well as the specific hazards.
- ☐ **WARNING!** Isolate the reel from the electrical supply before connecting or disconnecting equipment, servicing or performing any maintenance.
- ✓ Maintain the reel in good condition (use an authorised service agent).
- ✓ Replace or repair damaged parts. *Use recommended parts only. Unauthorised parts may be dangerous and will invalidate the warranty.*
- ✓ Locate and fix the reel in a suitable work area. Do not position in direct sun light, or in areas of extreme heat or cold.
- ✓ Keep extended cable away from heat, oil and sharp edges. Check cables for wear before each use and ensure all connections are secure.
- ✓ Maintain correct balance and footing. Ensure the floor is not slippery and wear non-slip shoes.
- ✓ Keep children and unauthorised persons away from the work area.
- x **DO NOT** use the reel for any purpose other than that for which it is designed.
- x **DO NOT** operate the reel when you are tired, under the influence of alcohol, drugs or intoxicating medication.
- ✓ When not in use switch off the electrical supply and retract cable into case.
- ☐ **WARNING! DO NOT** dismantle the reel casing, or attempt to remove the screws on the sides. To do so may result in damage to the reel and/or personal injury and will invalidate the warranty. Internal maintenance, which will require the opening of the casing, must only be undertaken by an authorised service agent.

### 2. TECHNICAL SPECIFICATIONS

Model No:	CRM10.V3	CRM15.V3
Input:	230V	230V
Output:	230V	230V
Power Wound/Unwound:	1000/2000W	1000/2000W
Cable Length:	10mtr	15mtr
Cable Size:	3 x 1.5mm <sup>2</sup>	3 x 1.5mm <sup>2</sup>
Thermal Cut-out:	Yes	Yes



### 3. MOUNTING/ASSEMBLY

- 3.1. To wall mount the reel first remove the wall mounting bracket from the reel by releasing and withdrawing the two bracket pivots. (Refer to items 12 on the parts diagram.) To release the pivots remove the casing screws which pass directly through each pivot.
- Note:** There are two screws attaching the top pivot. **DO NOT** remove any other casing screws.
- 3.2. Fix the bracket in an appropriate position ensuring that the wall and the mounting screws and plugs will adequately support the weight of the reel and the tension of the cable as it is pulled from the reel.
- 3.3. Re-attach the reel to the bracket ensuring that the pivots are correctly inserted and retained by the casing screws.
- 3.4. Ensure that the cable can be pulled out to, and reeled back from, work sites without rubbing on the sides of the cable entry.

### 4. OPERATION

- 4.1. **Extending the cable.**
- 4.1.1. As the cable is pulled out from the reel the action of the ratchet mechanism can be heard alternating between the usual clicking sound and a short period of silence. If the tension on the cable is released whilst the ratchet is clicking the cable will remain extended. If the tension on the cable is released during silent operation the cable will retract. To stop the cable retracting pull it out again a little until you hear the ratchet clicking.
- 4.2. **Retracting the cable.**
- 4.2.1. To release the cable and allow it to automatically rewind, pull the cable out from the locked position until the clicking stops and then release the tension on the cable. Do not let go of the cable but keep hold of it and guide the socket back to the reel.
- WARNING!** The reel tension is factory set, if any adjustment is required contact an authorised service agent. **DO NOT remove any of the black spring cover screws.**
- 4.3. **Thermal cut-out.**
- 4.3.1. In the event of the reel being overloaded the cut-out will trip. If this occurs disconnect reel from the 230V supply and then determine and rectify the cause of overload.
- 4.3.2. Reconnect to the supply and press the cut-out reset button (having allowed two or three minutes for cooling).



### 5. DECLARATION OF CONFORMITY

**Declaration of Conformity** We, the sole importer into the UK, declare that the products listed below are in conformity with the following standards and directives.

**RETRACTING CABLE REELS**  
**Models: CRM10.V3, CRM15.V3**  
2006/42/EC Machinery Directive  
2004/108/EC EMC Directive  
2006/95/EC Low Voltage Directive  
93/68/EEC CE Marking Directive  
2002/95/EC RoHS Directive  
2002/96/EC WEEE Directive



The construction files for these products are held by the Manufacturer and may be inspected, by a national authority, upon request to Jack Sealey Ltd.

Signed by Mark Sweetman

A handwritten signature in black ink, appearing to read 'Mark Sweetman'.

5th June 2008

For Jack Sealey Ltd. Sole importer into the UK of Sealey Power Products.

**NOTE:** It is our policy to continually improve products and as such we reserve the right to alter data, specifications and component parts without prior notice.

**IMPORTANT:** No liability is accepted for incorrect use of product.

**WARRANTY:** Guarantee is 12 months from purchase date, proof of which will be required for any claim.

**INFORMATION:** For a copy of our latest catalogue and promotions call us on 01284 757525 and leave your full name and address, including postcode.



Sole UK Distributor  
Sealey Group,  
Bury St. Edmunds, Suffolk.



01284 757500

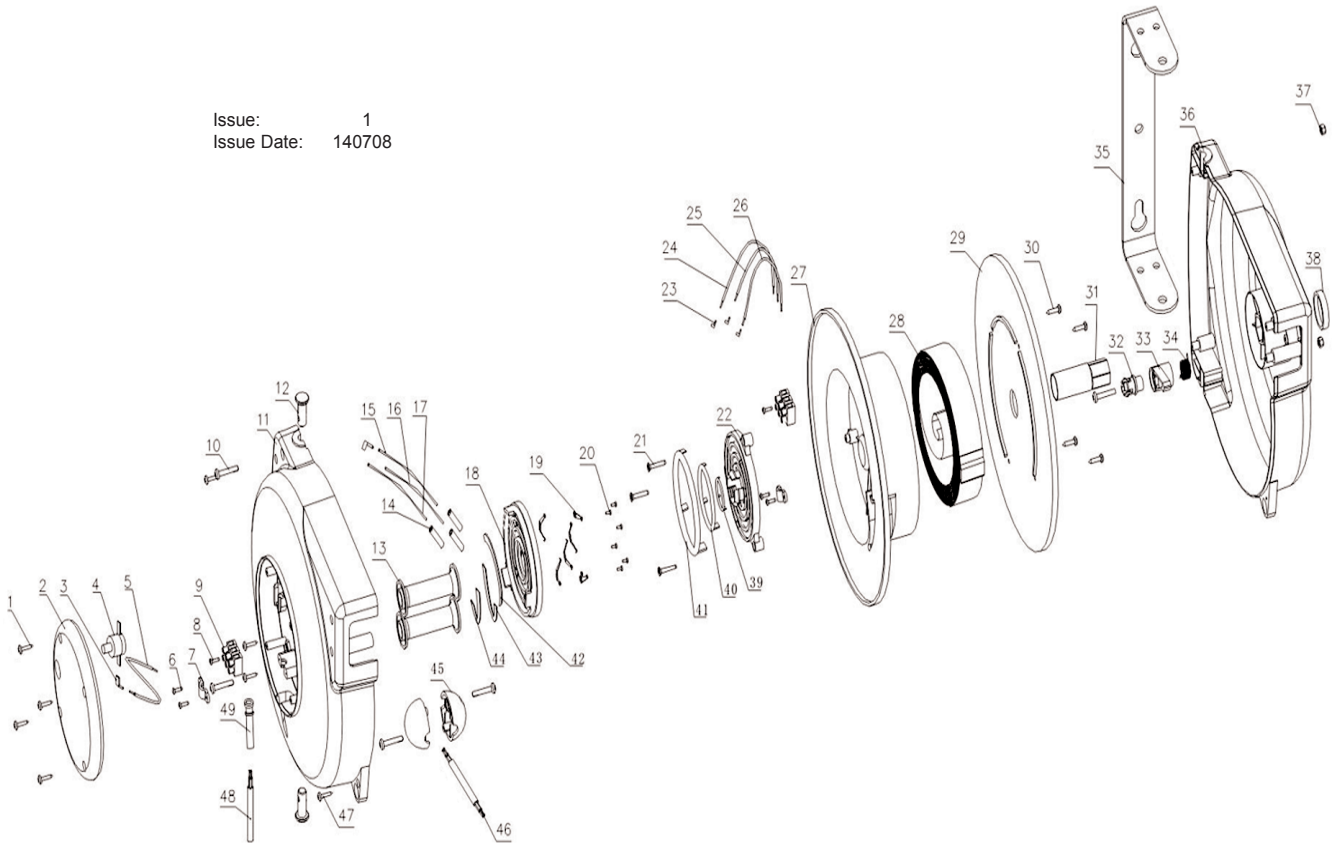
01284 703534



[www.sealey.co.uk](http://www.sealey.co.uk)

[sales@sealey.co.uk](mailto:sales@sealey.co.uk)

Issue: 1  
 Issue Date: 140708



ITEM	PART NO	DESCRIPTION	ITEM	PART NO	DESCRIPTION
1	CRM10.01	SCREW 4.2 x 33.5mm	27	CRM10.27	DRUM
2	CRM10.02	PLASTIC COVER	28	CRM10.28	SPRING
3	CRM10.03	TERMINATION	29	CRM10.29	DRUM
4	CRM10.04	THERMAL CUT-OUT	30	CRM10.30	SCREW 4.2x19mm
5	CRM10.05	CONNECTION WIRE (BROWN)	31	CRM10.31	AXLE
6	CRM10.06	SCREW 2.9 x 9.5mm	32	CRM10.32	RATCHET AXLE
7	CRM10.07	CABLE CLAMP	33	CRM10.33	RATCHET PAWL
8	CRM10.08	SCREW 2.9 x 14mm	34	CRM10.34	SPRING
9	CRM10.09	TERMINAL BLOCK	35	CRM10.35	BRACKET
10	CRM10.10	SCREW M5x25	36	CRM10.36	COVER, RIGHT HAND SIDE
11	CRM10.11	COVER, LEFT HAND SIDE	37	CRM10.37	NUT M5
12	CRM10.12	PIN FOR WALL BRACKET	38	CRM10.38	PLASTIC COVER
13	CRM10.13	ROLLER	39	CRM10.39	SLIP RING
14	CRM10.14	SHRINKABLE TUBE	40	CRM10.40	SLIP RING
15	CRM10.15	CONNECTION WIRE (BROWN)	41	CRM10.41	SLIP RING
16	CRM10.16	CONNECTION WIRE (YELLOW/GREEN)	42	CRM10.42	HALF COPPER RING
17	CRM10.17	CONNECTION WIRE (BLUE)	43	CRM10.43	HALF COPPER RING
18	CRM10.18	FIXING PLATE	44	CRM10.44	HALF COPPER RING
19	CRM10.19	TOUCH SLIDE	45	CRM10.45	STOP BLOCK
20	CRM10.20	COPPER RIVET	46	CRM10.46	INLET, FLEXIBLE CABLE
21	CRM10.21	SCREW 4.2x22	47	CRM10.47	SCREW 4.2x16mm
22	CRM10.22	MOVABLE PLATE	48	CRM10.48	OUTLET, FLEXIBLE CABLE
23	CRM10.23	TERMINATION	49	CRM10.49	PROTECT SHEATH
24	CRM10.24	CONNECTION WIRE (BROWN)	50	CRM10.50	CABLE 10mtr (CRM10 only - <b>not shown</b> )
25	CRM10.25	CONNECTION WIRE (YELLOW/GREEN)		CRM15.50	CABLE 15mtr (CRM15 only - <b>not shown</b> )
26	CRM10.26	CONNECTION WIRE (BLUE)			

**NOTE:** It is our policy to continually improve products and as such we reserve the right to alter data, specifications and component parts without prior notice.

**IMPORTANT:** No liability is accepted for incorrect use of product.

**WARRANTY:** Guarantee is 12 months from purchase date, proof of which will be required for any claim.

**INFORMATION:** For a copy of our latest catalogue and promotions call us on 01284 757525 and leave your full name and address, including postcode.