

SEALEY

POWER TOOLS

Instructions for:
CORDLESS CIRCULAR SAW
Model: **CPS1418V**

Thank you for purchasing a Sealey product. Manufactured to a high standard this product will, if used according to these instructions and properly maintained, give you years of trouble free performance.

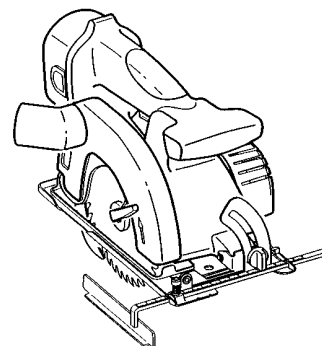


IMPORTANT: PLEASE READ THESE INSTRUCTIONS CAREFULLY. NOTE THE SAFE OPERATIONAL REQUIREMENTS, WARNINGS & CAUTIONS. USE THE PRODUCT CORRECTLY AND WITH CARE FOR THE PURPOSE FOR WHICH IT IS INTENDED. FAILURE TO DO SO MAY CAUSE DAMAGE AND/OR PERSONAL INJURY AND WILL INVALIDATE THE WARRANTY. PLEASE KEEP INSTRUCTIONS SAFE FOR FUTURE USE.

1. SAFETY INSTRUCTIONS

1.1. GENERAL SAFETY

- ✓ Disconnect the the battery unit from the saw before changing blades, servicing or performing any maintenance.
- ✓ Maintain the saw and battery in good condition. Check moving parts alignment on a regular basis.
- ✓ Replace or repair damaged parts. *Use an authorised service agent and recommended parts only. Unauthorised parts may be dangerous and will invalidate the warranty.*
- ✓ Ensure the saw is switched off before installing the battery pack.
- ✓ Keep the saw and charger clean and the blade sharp for best and safest performance.
- ✓ Remove ill fitting clothing. Remove ties, watches, rings and other loose jewellery and contain long hair.
- ✓ Use in a suitable work area. Keep area clean, tidy and free from unrelated materials. Ensure there is adequate lighting.
- ✓ Evaluate your work area before using the saw e.g. partitions may conceal electric cables or water piping.
- ✓ Ensure battery pack is correctly inserted into the saw handle and snapped in place before switching on saw.
- ✓ Ensure hex. key is returned to stowage position before starting saw.
- x **DO NOT** hold unsecured workpiece in your hand whilst cutting.
- ✓ Secure non-stable workpiece with a clamp, vice or other adequate holding device.
- ✓ Avoid unintentional starting.
- ✓ Wear approved safety eye protection (standard spectacles are not adequate) and dust mask.
- ✓ Maintain correct balance and footing. Ensure the floor is not slippery and wear non-slip shoes.
- ✓ Keep children and unauthorised persons away from the working area.
- x **DO NOT** use the saw where there are flammable liquids, solids or gases such as paint solvents, etc.
- x **DO NOT** allow children to operate the saw.
- x **DO NOT** operate the saw if any parts are missing as this may cause failure and/or personal injury.
- x **DO NOT** leave the saw operating unattended.
- x **DO NOT** carry the saw with your finger on the power switch.
- x **DO NOT** use the saw for a task it is not designed to perform.
- x **DO NOT** use a blade which is damaged, distorted or has missing teeth.
- x **DO NOT** tamper with, or remove, blade guard.
- x **DO NOT** operate the saw when you are tired, under the influence of alcohol, drugs or intoxicating medication.
- x **DO NOT** get the saw or battery charger wet or use in damp or wet locations.
- ✓ When not in use keep saw and charger in the case and store in a safe, dry, childproof area where the temperature will not exceed 104°F (40°C).



1.2. BATTERY SAFETY INSTRUCTIONS

- **WARNING!** Battery pack contains nickel-cadmium which is dangerous and must be handled with care to avoid damage, fire, corrosion or personal injury.
- ✓ Charge battery prior to first use. The battery pack will have been shipped in a low charge state.
- ✓ Use only the charger provided to charge the saw battery.
- x **DO NOT** charge battery when room temperature is below 50°F (10°C) or above 104°F (40°C).
- x **DO NOT** attempt recharging the battery by means of an engine generator or a DC power source.
- x **DO NOT** short-circuit the battery by linking both terminals with a metal object, or your fingers etc.
- x **DO NOT** store the battery (or saw) in locations where the temperature may exceed 104°F (40°C), such as outside sheds, above heaters etc.
- **WARNING!** Dispose of spent batteries correctly as they contain nickel-cadmium. **DANGER! DO NOT** attempt to disassemble the battery pack. For safety and environmental reasons **DO NOT** discard in domestic waste or by burning. **ONLY** discard or recycle according to local waste authority regulations.
- **WARNING! DO NOT** allow a leaking battery to contact your person. If you come into contact with battery liquid take the following immediate action:
 - a) **Skin contact:** Wash immediately with soap and water, then wash flesh in either lemon juice or vinegar.
 - b) **Eye contact:** Wash with a strong solution of boric acid, and seek immediate medical attention.

1.3. ELECTRICAL SAFETY

REGARDING DIRECT MAINS POWER USED WITH THE BATTERY CHARGER ONLY.

□ **WARNING!** It is the user's responsibility to read, understand and comply with the following electrical instructions: You must ensure the risk of electric shock is minimised by the installation of appropriate safety devices. An RCCB (Residual Current Circuit Breaker) should be incorporated in the main distribution board. We also recommend that an RCD (Residual Current Device) is used with all electrical products, particularly portable equipment which is plugged into an electrical supply not protected by an RCCB.

You must also read and understand the following instructions concerning electrical safety.

1.3.1. **The Electricity At Work Act 1989** requires all portable electrical appliances, if used on business premises, to be tested by a qualified electrician, using a Portable Appliance Tester (PAT), at least once a year.

1.3.2. **The Health & Safety at Work Act 1974** makes owners of electrical appliances responsible for the safe condition of the appliance and the safety of the appliance operator. **If in any doubt about electrical safety, contact a qualified electrician.**

1.3.3. You must ensure that you:

- ✓ Inspect the charger, cable and plug for wear and damage to ensure items are safe before connecting to the mains power supply. If worn or damaged **DO NOT** use, immediately replace, or contact a qualified electrician.
- ✓ Check cables are always protected against short circuit and overload.

- ✓ Important: Check that the voltage marked on the charger is the same as the power supply to be used.
- ✓ Uncoil the cable between the charger and plug before use.
- ✗ **DO NOT** pull or carry the charger by the cable, or use the cable to pull the plug from the mains socket.

1.4. BATTERY CHARGER SAFETY INSTRUCTIONS

- ☐ **WARNING! DO NOT** use the charger to charge any battery other than that supplied for the saw. Other types of batteries may explode!
- ✓ All mains electrical supply safety features must be followed as described in 1.3. above.
- ✓ Disconnect the charger from mains power supply when not in use.
- ✓ Store the charger in the same manner as the battery, see para. 1.2.
- ✗ **DO NOT** expose the charger to damp or wet conditions. The charger is for indoor use only.
- ✗ **DO NOT** operate the charger if it has been dropped, or has received a sharp knock, or is damaged. Contact an authorised service agent.
- ✗ **DO NOT** dismantle the charger as this may cause damage and/or personal injury and will invalidate your warranty.
- ✗ **DO NOT** attempt to connect two chargers together.
- ✗ **DO NOT** insert foreign objects or material into the hole reserved for the battery.
- ✗ **DO NOT** force the battery into the charger. The battery will only fit one way to ensure correct polarity alignment.
- ✗ **DO NOT** immediately charge a second battery. Consecutive charging will overheat the charger. Allow the unit to cool for 15 minutes before charging the next battery.

2. SPECIFICATIONS

Motor18V	Cutting depth - 0° bevel45mm
Full charge time1 hour	- 45° bevel37mm
Blade speed3000rpm	Charger fuse3 amp
Blade	∅140mm		
Blade arbor	∅10mm		

Items packed in carton:

1. Carry case
2. Cordless circular saw with battery and hex. key
3. Edge guide
4. Battery charger

Spare Battery: Order part no: CB18/99

Note: Battery also fits Hammer Drills CP2018VHK and CP9918VHK

3. OPERATING INSTRUCTIONS

Remove case from packaging and inspect contents (see Section 2). If any item is damaged or missing contact your supplier.

Note: When new, the battery will have been shipped in a low charge state. It will take longer to charge the battery initially and several subsequent charges may also take a little longer than when the battery reaches its optimum performance.

3.1. Charging the battery pack

In the interests of long battery life, recharge the NiCd battery promptly. Recharging is always necessary when the power of the saw starts to decrease. Never allow the battery to discharge completely as this will cause it to become defective.

- 3.1.1. Remove the battery pack from the saw by depressing the two side clips (fig.1 item A). Do not touch the metal battery terminals.
- 3.1.2. Place saw in the case and remove the battery charger.
- 3.1.3. Stand the charger on a safe flat surface and connect to the mains.
- 3.1.4. The battery is designed to fit into the charger one way only. This is to ensure that the positive (+) and negative (-) polarities correspond. Align the + and - polarity marks on the base of the battery with the + and - marks on the charger, insert the battery and press very slightly downward to seat the battery firmly into the charging base (fig.1).

☐ **WARNING! DO NOT** try to force battery into the base with crossed polarities.

- 3.1.5. The red charge light will come on when the battery is inserted into the charger. Under normal conditions a flat battery will take 1 hour to fully charge at which point the green light will come on. The temperature of the battery may rise slightly during the charging operation. This is normal.

Note: There is no automatic switch-off when the battery is fully charged - turn off charger to prevent battery damage from over-charging.

- 3.1.6. If the battery fails to charge, check:
 - 1) Whether there is voltage at the socket outlet.
 - 2) Whether there is good, clean contact between the charger and battery terminals.

- 3.1.7. When battery is charged switch off and unplug the charger. Remove battery from charger. Push the battery into the saw handle until it snaps into place. The saw is now ready for use.

- 3.1.8. Place the charger back in the carry case.

Note: Attempting to charge a battery immediately after use may result in the red charging light not coming on. If so, allow the battery to cool and try again.

☐ **WARNING! Never attempt to connect the saw to any power source other than the battery pack provided.**

3.2. Blade removal/fitting

Note: Always ensure that battery is removed from saw before removing or fitting the blade.

- 3.2.1. Depress the spindle lock button (see fig.2) and slowly turn the blade screw with the hex. key provided (see fig.4.K) until the spindle is locked. Keep lock button depressed.
- 3.2.2. Undo blade screw with the hex. key and remove washers, clamp and blade.
- 3.2.3. Fit new blade, ensuring that the teeth point in the same direction as the arrow on the blade guard. Refit clamps, washers and blade screw, as shown in fig.2, and tighten blade screw with hex. key, having re-engaged spindle lock.
- 3.2.4. Release spindle lock button and return hex. key to storage position.

☐ **Important**

- ✓ Maintain original teeth angles when sharpening the blade.
- ✓ Ensure that any new blade has the correct diameter and arbor size. Remove any dust, rust preventative etc. and fit using only the supplied clamps, washers and screw.
- ✓ After fitting a new blade start saw and allow to run for a few seconds. Watch for blade wobble or vibration that would indicate incorrect installation or a poorly balanced or damaged blade. Hold saw so that blade path is away from body during this test.

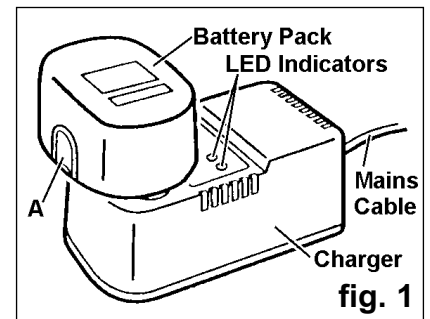


fig. 1

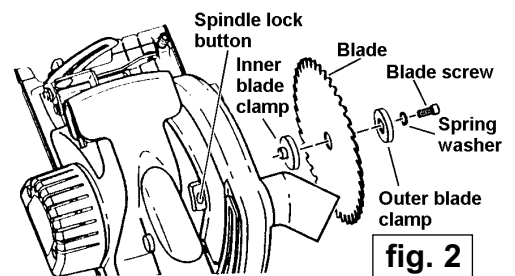


fig. 2

3.3. Depth of cut

3.3.1. Loosen the depth of cut adjustment knob (see fig.3), set the required depth of cut and re-tighten knob. For a cleaner cut set the depth of cut 3mm greater than the thickness of the workpiece (e.g. If the workpiece is 19mm thick, set depth of cut to 22mm).

3.4. Cutting guides

3.4.1. Where a suitable straight edge exists on the workpiece the edge guide (fig.4.A) may be used. Adjust guide after loosening clamp screw (fig.4.B) and then retighten screw.

3.4.2. If there is no suitable edge, then the 'V' cuts in the base (fig.4.C & D) may be used to follow a straight line marked on the workpiece. 'C' is used for a vertical (0°) cut and 'D' for a 45° bevel cut.

Note: The edge guide and clamp screw (fig.4.A & B) should be removed if not being used.

3.5. Bevel cut

The bevel angle can be adjusted between 0° and 45° by loosening the bevel cut adjustment knob (fig.4.E), moving the base relative to the pointer (fig.4.F) on the scale (fig.4.G). Tighten the adjustment knob when the required angle is set.

3.6. Sawing

Note: The saw has a safety lock-off device to prevent accidental operation.

3.6.1. If available, connect dust collector system to extraction tube (fig.4.H).

3.6.2. To start saw, press and hold safety lock-off button (fig.4.I) and then squeeze trigger switch (Fig.4.J). The saw will start. Release lock-off button.

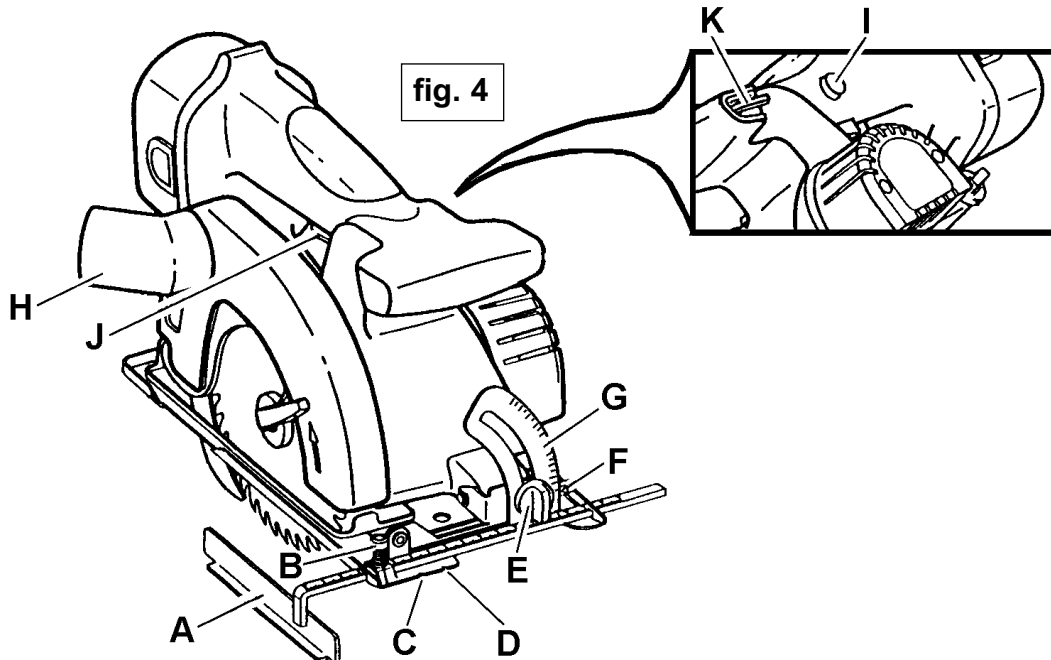
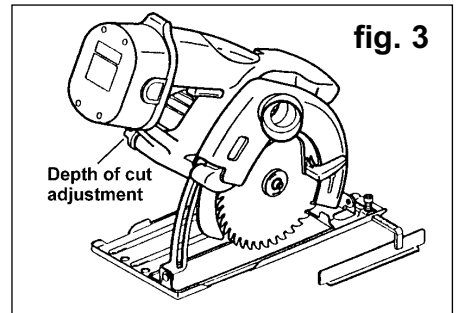
3.6.3. To stop the saw release the trigger switch, which will then automatically lock-off for safety.

3.6.4. With the saw switched off, place the front of the base of the saw on the workpiece, with the blade behind the edge where the cut is to start. Switch on the saw and move the saw forward slowly and smoothly to commence cutting. **DO NOT attempt to start the saw with the blade in contact with the workpiece.**

3.6.5. When the cutting power begins to decrease, re-charge the saw battery to prevent complete discharge.

WARNING! The trigger switch and the lock-off button are not to be removed or tampered with, e.g. by tying down the trigger switch to the handle, or the saw will not switch off automatically, or will not lock-off, and there will be a high risk of personal injury.

Important! Wear safety goggles and a mask to prevent eye injury and dust inhalation.



4. CLEANING & STORAGE

4.1. To prolong the useful life of the circular saw always clean it thoroughly after use and protect blade with a rust preventative.

Important! Never clean with running water and certainly not with high pressure jet.

4.2. Store the saw in a dry, cool - but frost-free - and childproof place.

Declaration of Conformity We, the sole importer into the UK, declare that the products listed below are in conformity with the following standards and directives.

Cordless Circular Saw & Charging Unit Model CPS1418V

73/232/EEC Low Voltage Directive
89/336/EEC EMC Directive
98/37/EC Machinery Directive



The construction files for these products are held by the Manufacturer and may be inspected, by a national authority, upon request to Jack Sealey Ltd.

Signed by Mark Sweetman

24th April 2000

For Jack Sealey Ltd. Sole importer into the UK of Sealey Power Tools.

NOTE: It is our policy to continually improve products and as such we reserve the right to alter data, specifications and component parts without prior notice.

IMPORTANT: No liability is accepted for incorrect use of product.

WARRANTY: Guarantee is 12 months from purchase date, proof of which will be required for any claim.

INFORMATION: For a copy of our latest catalogue and promotions call us on 01284 757525 and leave your full name and address, including postcode.



Sole UK Distributor,
Sealey Group,
Bury St. Edmunds, Suffolk.



01284 757500



01284 703534

E-mail: sales@sealey.co.uk