



INSTRUCTIONS FOR:

## CORDLESS GREASE GUN 12V

MODEL No: **CPG18V.V2**

Thank you for purchasing a Sealey product. Manufactured to a high standard, this product will, if used according to these instructions and maintained properly, give you years of trouble free performance.

**IMPORTANT:** PLEASE READ THESE INSTRUCTIONS CAREFULLY. NOTE THE SAFE OPERATIONAL REQUIREMENTS, WARNINGS & CAUTIONS. USE THE PRODUCT CORRECTLY AND WITH CARE FOR THE PURPOSE FOR WHICH IT IS INTENDED. FAILURE TO DO SO MAY CAUSE DAMAGE AND/OR PERSONAL INJURY AND WILL INVALIDATE THE WARRANTY. KEEP THESE INSTRUCTIONS SAFE FOR FUTURE USE.



Refer to Instruction Manual



Wear Eye Protection

### 1. SAFETY

#### 1.1. MAINS POWER ELECTRICAL SAFETY (In relation to the battery charger)

**WARNING! It is the responsibility of the owner and the operator to read, understand and comply with the following:**

**You must** check all electrical products, before use, to ensure that they are safe. You must inspect power cables, plugs, sockets and any other connectors for wear or damage. You must ensure the risk of electric shock is minimised by the installation of appropriate safety devices. A Residual Current Circuit Breaker (RCCB) should be incorporated in the main distribution board. We also recommend that a Residual Current Device (RCD) be used. It is particularly important to use an RCD with portable products that are plugged into a supply that is not protected by an RCCB. If in any doubt consult a competent electrician. You may obtain a Residual Current Device by contacting your Sealey dealer. **You must** also read and understand the following instructions concerning electrical safety.

1.1.1. The **Electricity At Work Act 1989** requires all portable electrical appliances, if used on business premises, to be tested by a competent electrician, using a Portable Appliance Tester (PAT), at least once a year.

1.1.2. The **Health & Safety at Work Act 1974** makes owners of electrical appliances responsible for the safe condition of those appliances and the safety of the appliance operator. **If in any doubt about electrical safety, contact a competent electrician.**

1.1.3. Ensure that the insulation on all cables and on the appliance is safe before connecting it to the power supply. See 1.3.1 and 1.3.2 and use a Portable Appliance Tester.

1.1.4. Ensure that cables are always protected against short circuit and overload.

1.1.5. Inspect power supply cables and plugs regularly for wear or damage and check all connections to ensure none is loose.

1.1.6. **Important:** Ensure that the voltage marked on the appliance matches the power supply to be used and that the plug is fitted with the correct fuse - see fuse rating below.

1.1.7. **DO NOT** pull or carry the appliance by the power cable.

1.1.8. **DO NOT** pull the plug from the socket by the cable.

1.1.9. **DO NOT** use worn or damaged cables, plugs or connectors. Immediately have any faulty item repaired or replaced by a competent electrician. When an ASTA/BS approved UK 3 pin plug is damaged, cut the cable just above the plug and **dispose of the plug safely.**

Ensure that the double insulated charger is correctly connected via a three-pin plug, as follows:

a) Connect the Brown live wire to live terminal 'L'.

b) Connect the Blue neutral wire to the neutral terminal 'N'.

c) After wiring, check that there are no bare wires, that all wires have been connected correctly, that the cable outer insulation extends past the cable clamp and that the clamp is tight.

**Note that the earth pin remains unconnected.**

1.1.10. If an extension reel is used it should be fully unwound before connection. A reel with an RCD fitted is preferred since any appliance plugged into it will be protected. The cable core section is important and should be at least 1.5mm<sup>2</sup>, but to be absolutely sure that the capacity of the reel is suitable for this product and for others which may be used in the other output sockets, we recommend the use of 2.5mm<sup>2</sup> section cable. If an extension reel is to be used outdoors, ensure it is marked for outdoor use.

#### 1.2. BATTERY CHARGER SAFETY INSTRUCTIONS

**WARNING! DO NOT attempt to charge any battery other than that supplied for the gun. Other types of batteries may explode!**

✓ All mains electrical supply safety features must be followed as described in 1.3 above.

✓ Disconnect the charger from the mains supply when not in use.

✓ **DO NOT** charge battery if room temperature is below 10°C (50°F) or above 40°C (104°F).

x **DO NOT** expose the charger to damp or wet conditions.

x **DO NOT** pull or carry the charger by the power lead.

x **DO NOT** operate the charger if it has been dropped, or has received a sharp knock, or is damaged. Take the charger to an authorised agent for repair or obtain a replacement.

x **DO NOT** dismantle the charger as this may cause damage and/or personal injury and will invalidate the warranty.

x **DO NOT** insert foreign objects or material into the hole reserved for the battery pack.

x **DO NOT** recharge a second battery pack immediately after charging the first. Consecutive charging will overheat the charger. Allow the unit to cool for 15 minutes before charging the next pack.

x **DO NOT** attempt to connect two chargers together.

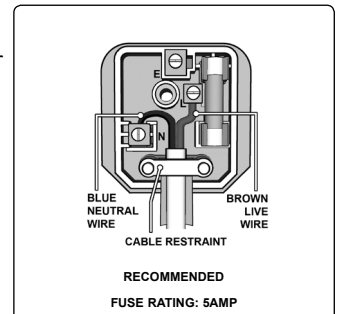
#### 1.3. GENERAL SAFETY

**WARNING!** Disengage the grease gun from the battery before changing accessories, servicing or performing and maintenance.

✓ Maintain gun in good condition (use an authorised service agent).

✓ Replace or repair damaged parts. *Use recommended parts only. Unauthorised parts may be dangerous and will invalidate the warranty.*

✓ Wear appropriate protective clothing. When handling lubricants refer to manufacturer's instructions and conform to local regulations.



- ✓ Use the gun in a suitable working area. Keep area clean and tidy and free from unrelated materials and ensure there is adequate lighting.
- ✓ Maintain correct balance and footing whilst performing the task. Ensure floor is not slippery and wear non-slip shoes.
- ✓ Keep children and unauthorised persons away from the work area.
- ✓ Dispose of waste grease in accordance with local authority regulations.
- ✓ When not in use ensure the battery is removed.
- ✗ **DO NOT** allow unauthorised persons to operate the gun.
- ☐ **WARNING! DO NOT tamper with or open pump unit. Doing so will invalidate your warranty.**
- ✗ **DO NOT** point grease gun at yourself or other persons or animals.
- ✗ **DO NOT** pull the grease gun unit by the hose.
- ✗ **DO NOT** use the gun for a task it is not designed to perform.
- ✗ **DO NOT** operate the gun when you are tired or under the influence of alcohol, drugs or intoxicating medication.
- ✓ When not in use, clean the unit and store in a dry, safe, childproof area.

## 2. INTRODUCTION & SPECIFICATION

High power, professional, cordless grease gun, developing 6000psi. Ideal for in-field lubrication where power and speed are required. Suitable for 400g cartridges, manual or bulk filling. Features LCD battery condition indicator, air bleed and heavy-duty aluminium pressure head. Supplied with 12V 1.7Ah battery, mains charger. Supplied in a robust carry-case.

Model No: ..... **CPG18V.V2**  
 Battery: ..... 18V 1.7Ah Ni-Cd  
 Pressure: ..... 8000psi  
 Flow Rate: ..... 100g/min  
 Hose Length: ..... 700mm  
 Replacement Battery:..... CPG18VBP

## 3. OPERATION

- ☐ **IMPORTANT WARRANTY INFORMATION:** the battery pack fitted to this cordless tool are considered to be a consumable item and its ability to accept charge will reduce over time. We will provide warranty against mechanical and electrical defect for a period of one year - this does not cover fair wear and tear. If the battery is not properly charged before 1st use, or regularly conditioned, its capacity will diminish. Under these circumstances we will not replace the battery pack even if it is less than one year old.

### 3.1 CHARGING THE BATTERY

**Important:** Before using the grease gun for the first time the battery must be charged for a minimum 1.5 hours.

- 3.1.1 To charge the battery, slot the battery onto the charger (Fig 1.1).

- ☐ **WARNING!** Do not obstruct the vents situated on the top and bottom of the charger as this will cause the charger to overheat.

- 3.1.2 Once plugged in correctly and the mains has been switched on, the red light situated at the front of the charger (Fig 1.2) will illuminate. When charging is complete the green light will illuminate.

### 3.2 REMOVING THE BATTERY PACK

- 3.2.1 To remove the battery from the unit press the two buttons located each side of the battery simultaneously and pull the battery away from the body.
- 3.2.2 To insert the battery, line up the ridges on the battery with the slots on the handle base and push towards the unit firmly until you hear a click.
- 3.2.3 Gun may be operated from a 12V vehicle battery by using the in-car adapter, fitted to gun in place of battery pack.

### 3.3 CARTRIDGE LOADING

- 3.3.1 Unscrew the grease tube from the grease gun.
- 3.3.2 Fully draw back the plunger handle.
- 3.3.3 Insert the open end of the cartridge into the grease tube and push it all the way in (Fig 2). Remove the seal or pull tab end from the cartridge.
- 3.3.4 Screw the grease tube back into the grease gun. Press the catch plate and release the plunger rod. Push down on the plunger handle.

### 3.4 SUCTION FILLING

- 3.4.1 Unscrew the grease tube from the grease gun.
- 3.4.2 Ensure the handle has been released (by pressing the catch plate).
- 3.4.3 Submerge the open end of the grease tube into grease bucket by approximately 50mm (2") and slowly pull the plunger handle out fully (Fig 3).
- 3.4.4 Screw the grease tube back in to the grease gun. Press the catch plate and release the plunger rod. Push down on the plunger handle.

### 3.5 BULK FILLING

- 3.5.1 Press the catch plate to release the plunger handle.

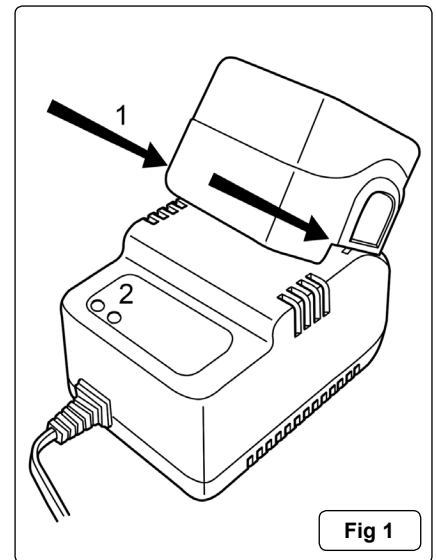


Fig 1

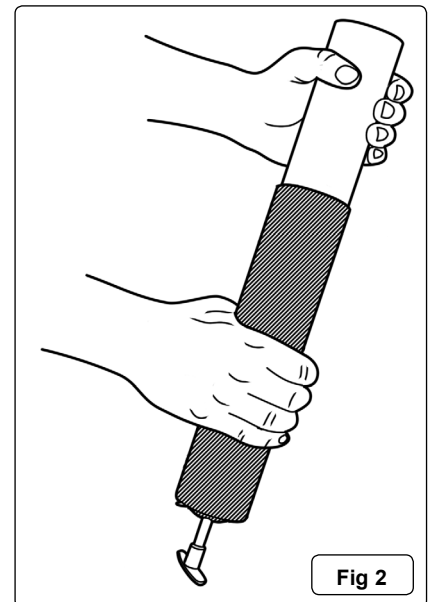


Fig 2

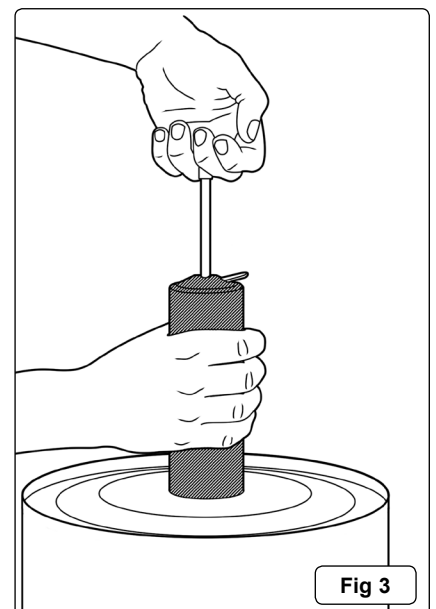


Fig 3

- 3.5.2 Connect a low pressure bulk greasing unit to the bulk filler nipple at the top of the gun and fill until plunger is fully extended.
- 3.5.3 Press and hold the catch plate and push the plunger handle down until some resistance is felt.
- 3.5.4 Open the pressure release valve until grease appears.

**3.6 PRIMING THE GUN**

- 3.6.1 Before loading the gun with a cartridge or filling via a grease bucket, it is ideal to prime the gun.
- 3.6.2 To prime the gun simply pack grease into the cavity located at the entrance of the gun assembly (where the grease tube screws into the gun) and operate the trigger, this will induce the intake of grease into the gun assembly.

**3.7 OPERATION**

**WARNING: DO NOT** tamper with the relief valve (fig.4.5). To do so may cause damage to the gun and will invalidate the warranty.

- 3.7.1 To operate the gun simply push the grease outlet onto the the grease nipple and operate the trigger until the desired amount of grease has been delivered.
- 3.7.2 If you encounter air pockets during operation simply exert force on the plunger (Fig 4.1), press the pressure release valve (Fig 4.2) and operate trigger (Fig 4.3) in short, sharp bursts until grease begins to flow from the nozzle.
- 3.7.3 When the grease gun is not in use turn the locking button (Fig 4.4) to the "lock" position
- 3.7.4 To check the remaining battery power, press and hold down the LED display button on the top of the grease gun. A gauge will appear on the display, showing the percentage of battery charge left.

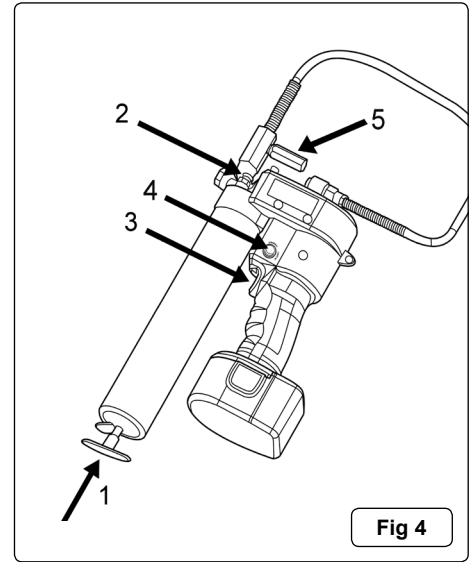


Fig 4

**4. TROUBLESHOOTING**

Condition	Possible Cause	Corrective Action
Motor fails to run.	- Battery needs recharging. - Faulty wiring to motor.	- Recharge battery. - Remove battery, disassemble handle and check wiring for loose connections.
Pressure release valve opens to discharge grease.	- Blocked line. - Blocked bearing. - Blocked grease fitting.	- Check lines, pipe joints and grease fittings and remove any obstructions.
Grease gun fails to dispense grease.	- Grease tube is out of grease. - Loss of prime. - Check valve is not functioning.	- Check that the tube contains grease. - Repeat priming operation. - Remove check valve, clean and inspect the valve seat.
Grease gun continues to lose prime.	- Air may be trapped in locations throughout the grease tube ass'y after bulk filling. - Grease tube follower may be binding.	- Empty grease tube ass'y, refill and repeat priming operation. - Replace grease tube ass'y.
Battery fails to charge.	- Charger may not have power. - Battery may be dead.	- Check the mains charger is providing power.

**Environmental Protection**



Recycle unwanted materials instead of disposing of them as waste. All tools, accessories and packaging should be sorted, taken to a recycling centre and disposed of in a manner which is compatible with the environment. When the product becomes completely unserviceable and requires disposal, drain off any fluids (if applicable) into approved containers and dispose of the product and the fluids according to local regulations.

**WEEE Regulations**



Dispose of this product at the end of its working life in compliance with the EU Directive on Waste Electrical and Electronic Equipment (WEEE). When the product is no longer required, it must be disposed of in an environmentally protective way. Contact your local solid waste authority for recycling information.

Under the Waste Batteries and Accumulators Regulations 2009, Jack Sealey Ltd are required to inform potential purchasers of products containing batteries (as defined within these regulations), that they are registered with Valpak's registered compliance scheme. Jack Sealey Ltd's Batteries Producer Registration Number (BPRN) is BPRN00705

**NOTE:** It is our policy to improve products continually and as such we reserve the right to alter data, specifications and component parts without prior notice.

**IMPORTANT:** No liability is accepted for incorrect use of this product.

**WARRANTY:** Guarantee is 12 months from purchase date, proof of which will be required for any claim.



Sole UK Distributor, Sealey Group,  
Kempson Way, Suffolk Business Park,  
Bury St. Edmunds, Suffolk,  
IP32 7AR



01284 757500

01284 703534



www.sealey.co.uk

sales@sealey.co.uk